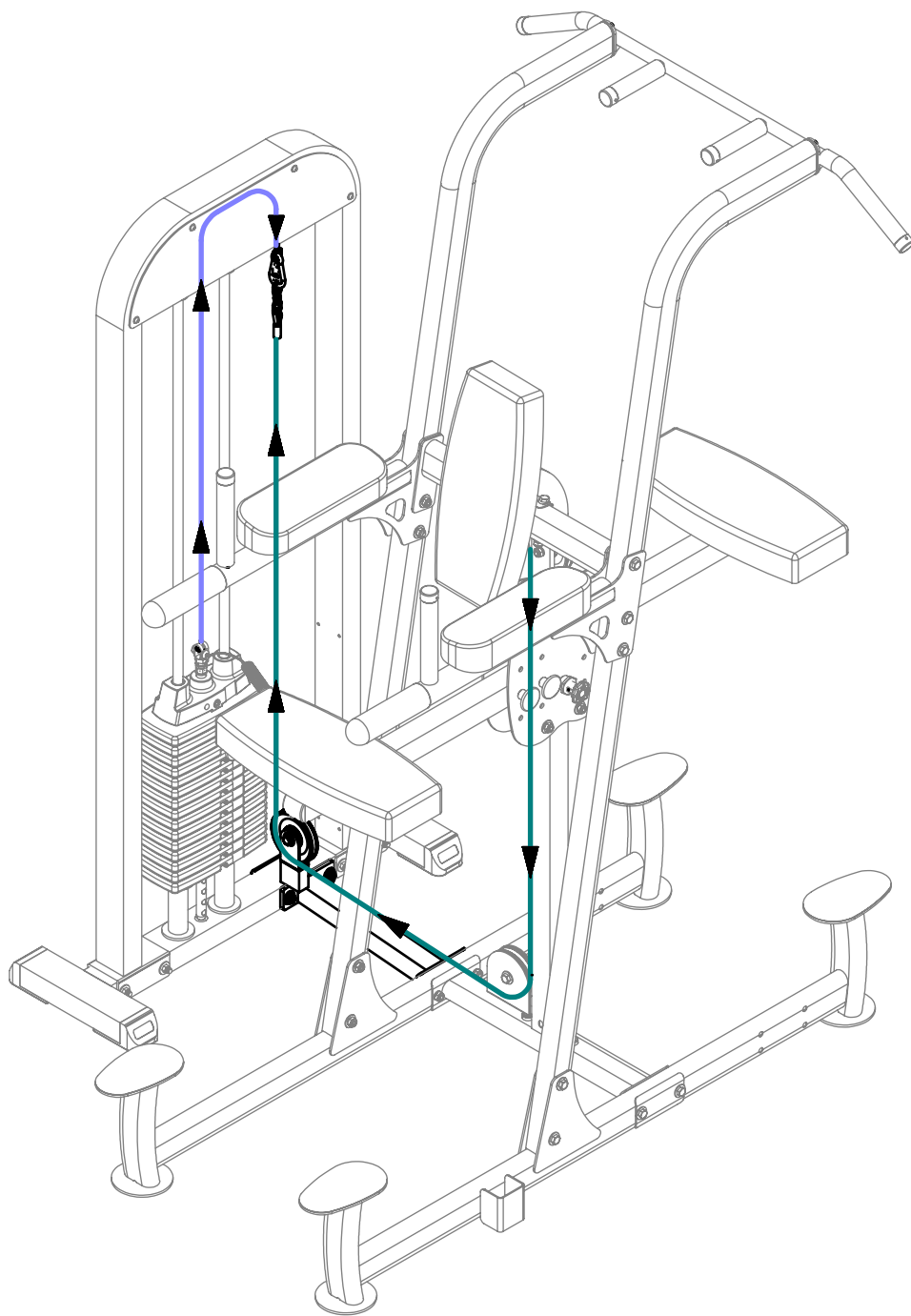


# Body-Solid



Assembly










&

Instructions

**FCDBRKT OWNER'S MANUAL**

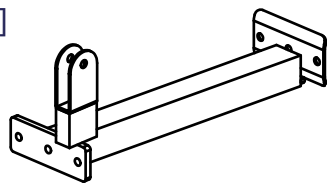
# FCDBRKT

## HARDWARE ILLUSTRATION SHEET

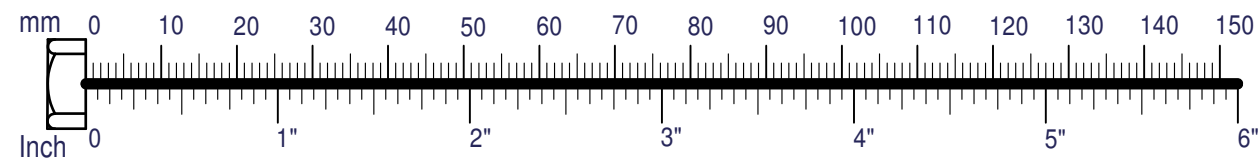
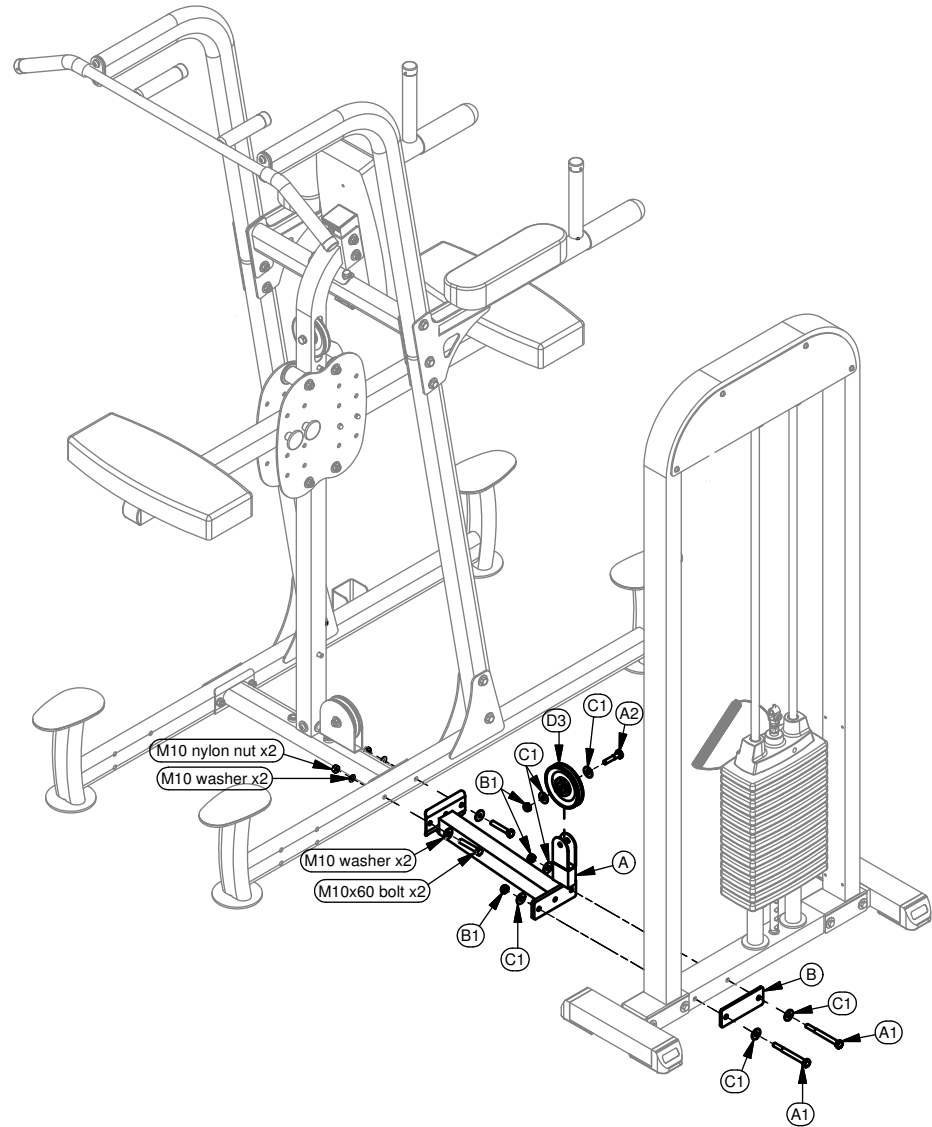
			Qty.
A1.		HEX HEAD BOLT M10x105L _____	2
A2.		HEX HEAD BOLT M10x45L _____	1
C1.		M10 WASHER _____	6
B1.		M10 NYLON LOCK NUT _____	3
D1.		CABLE END SHAFT (8890-010) _____	1
D2.		SNAP LINK (8810-001) _____	1
D3.		PULLEY (9213-002C) _____	1
D4.		2920mm Cable _____	1
D5.		1610mm Cable _____	1

## PARTS ILLUSTRATION SHEET

A. [1PCS]



B. [1PCS]  
(8312-090)



# FCDBRKT

## Wire Rope illustration

