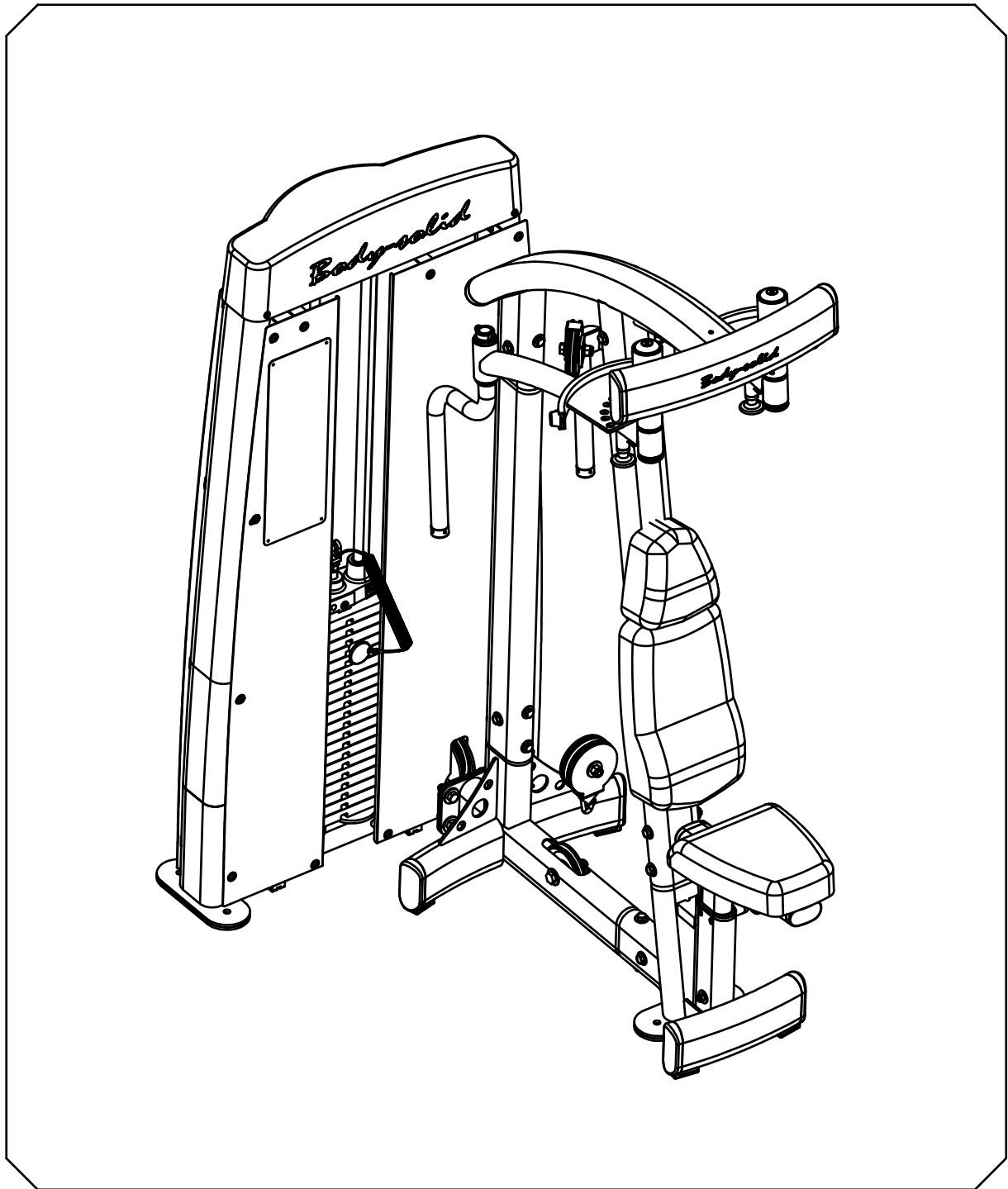


# Body-Solid

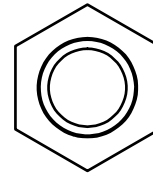
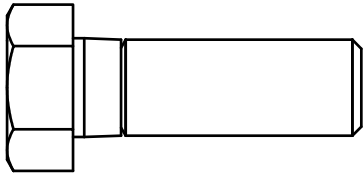


BODY-SOLID, Inc.  
1900 S. Des Plaines Ave.  
Forest Park, IL 60130 USA  
Phone: (708) 427-3555  
Fax: (708) 427-3556  
[www.bodysolid.com](http://www.bodysolid.com)

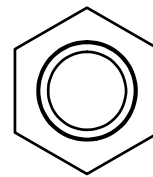
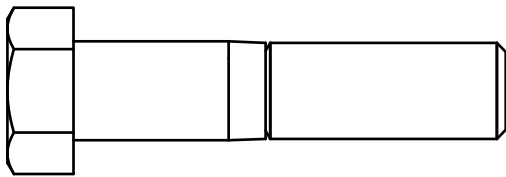
## DPEC.1 OWNER'S MANUAL

# DPEC ASSEMBLY INSTRUCTIONS

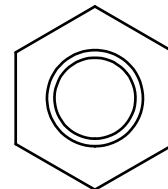
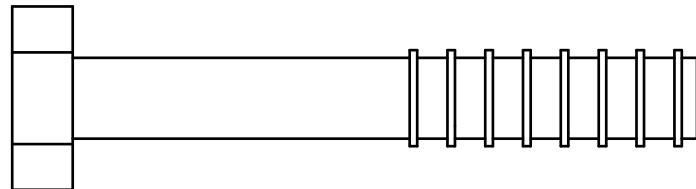
## HARDWARE ILLUSTRATION



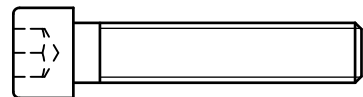
(A1)HEX BOLT 1/2"x1 1/2"L PARTIAL THREAD QTY.4



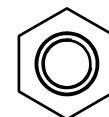
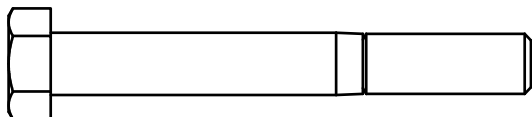
(A2)HEX BOLT 1/2"x2 1/4"L PARTIAL THREAD QTY.1



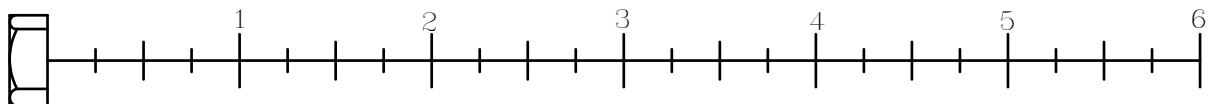
(A3)HEX BOLT 1/2"x3 1/4"L PARTIAL THREAD QTY.1



(A4)ROUND ALLEN HEAD 5/16"x1 1/2"L PARTIAL THREAD QTY.2

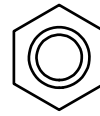
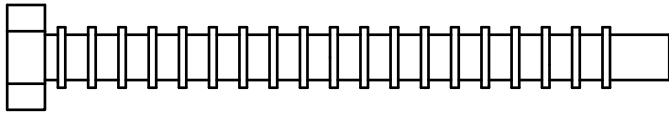


(A5)HEX BOLT 5/16"x2 1/2"L PARTIAL THREAD QTY.2

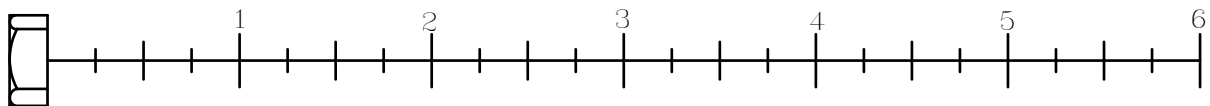


# DPEC ASSEMBLY INSTRUCTIONS

## HARDWARE ILLUSTRATION

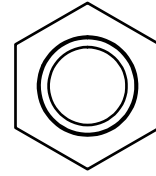
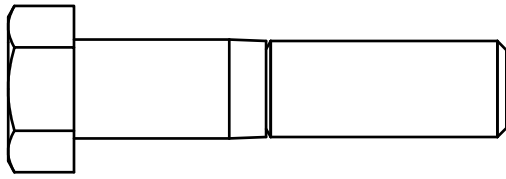


(A6)HEX BOLT 5/16"x3 1/4"L PARTIAL THREAD QTY.4

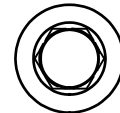
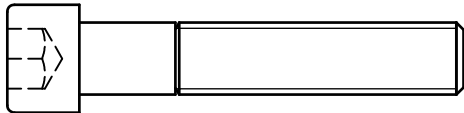


# DPEC ASSEMBLY INSTRUCTIONS

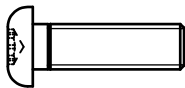
## FRAME HARDWARE ILLUSTRATION



(A8)HEX BOLT 1/2"x2 1/4"L PARTIAL THREAD QTY.3

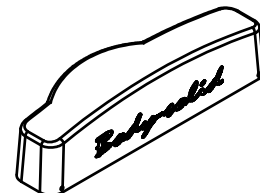
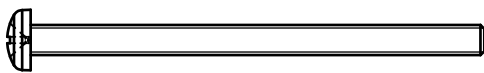


(A10)ROUND ALLEN HEAD 3/8"X2"L PARTIAL THREAD QTY.1



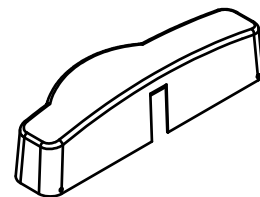
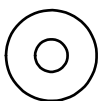
(A11)ROUND ALLEN HEAD M6X20L PARTIAL THREAD QTY.20

## Optional Purchase



(A9)HEX BOLT M4X65L PARTIAL THREAD QTY.2

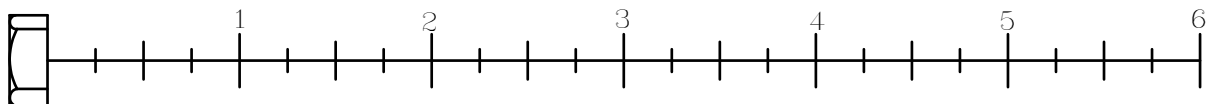
TOP CAP(9211-111)



(C8)M4(I.D.)FLAT WASHER Ø12 QTY.2

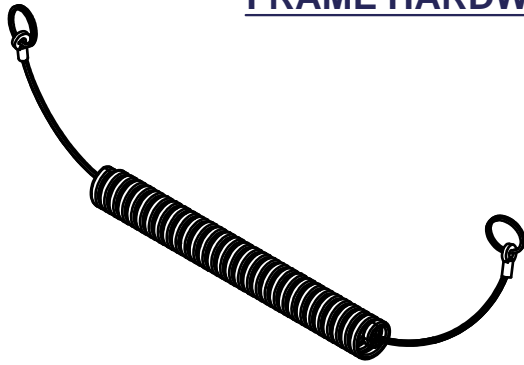
TOP CAP(9211-119)

"M4X65 ROUND BOLT" and "M4 WASHER" is used to assemble with 9211-111 and 9211-119 TOP CAP

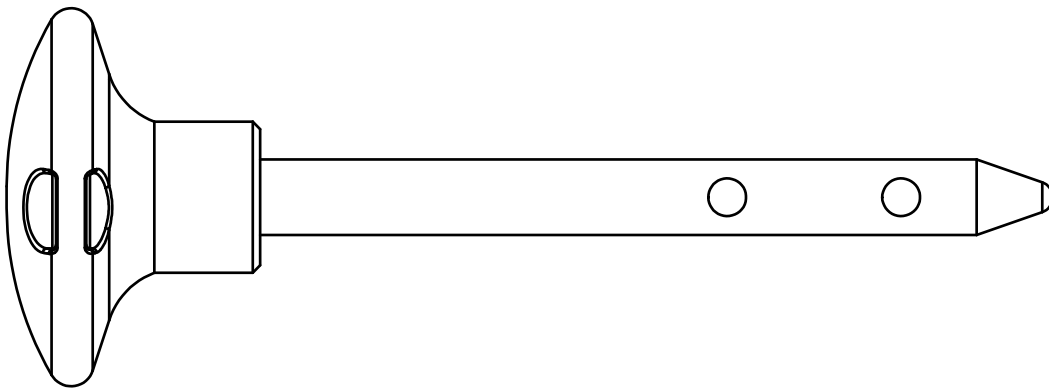


# DPEC ASSEMBLY INSTRUCTIONS

## FRAME HARDWARE ILLUSTRATION



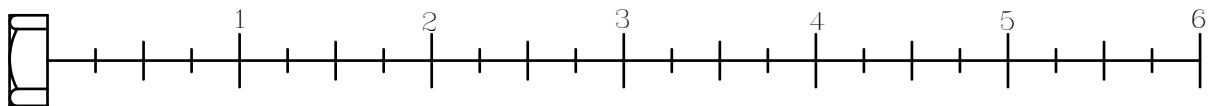
(A12)ELASTIC BOLT QTY.1



(A13)10LB PIN (8250-071) QTY.1

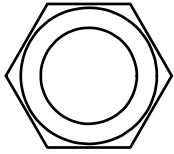


(A15)ROUND ALLEN HEAD 5/32"x1/4"L PARTIAL THREAD QTY.4

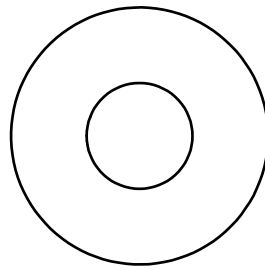
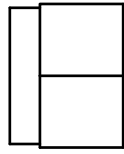


# DPEC ASSEMBLY INSTRUCTIONS

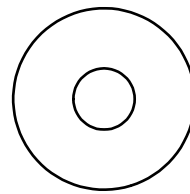
## HARDWARE ILLUSTRATION



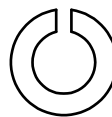
(B1) NYLON LOCK NUT 1/2" QTY.6



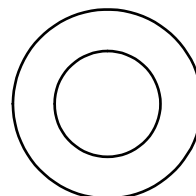
(C1) 1/2" (I.D.) FLAT WASHER Ø34 QTY.4



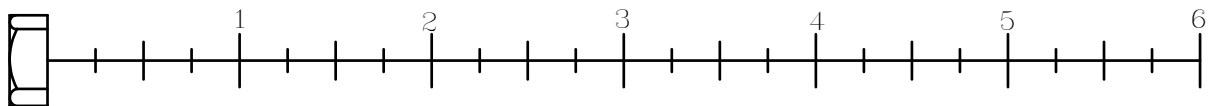
(C2) 5/16" (I.D.) FLAT WASHER Ø24 QTY.6



(C3) 5/16" SPRING WASHER QTY.6

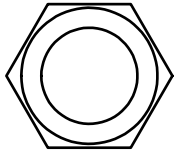


(C10) 1/2" (I.D.) FLAT WASHER Ø25 QTY.8

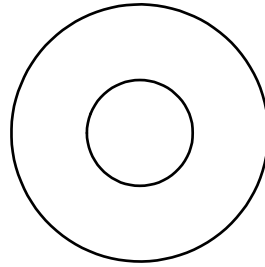
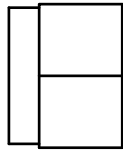


# DPEC ASSEMBLY INSTRUCTIONS

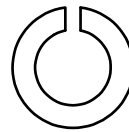
## FRAME HARDWARE ILLUSTRATION



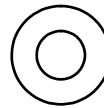
(B4) NYLON LOCK NUT 1/2" QTY.3



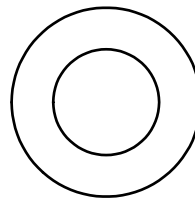
(C5) 1/2" (I.D.) FLAT WASHER Ø34 QTY.4



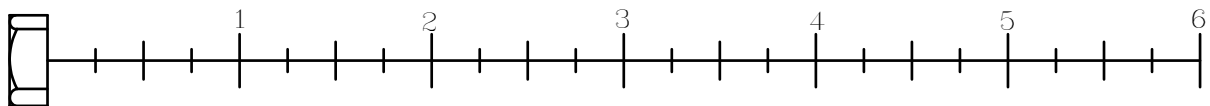
(C6) 3/8" SPRING WASHER QTY.1



(C7) M6 (I.D.) FLAT WASHER Ø13 QTY.20

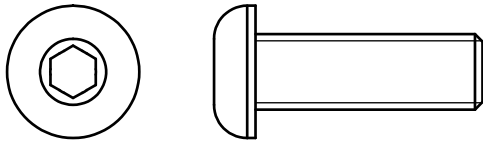


(C9) 1/2" (I.D.) FLAT WASHER Ø25 QTY.2

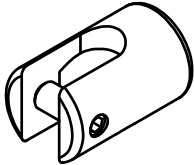


# DPEC ASSEMBLY INSTRUCTIONS

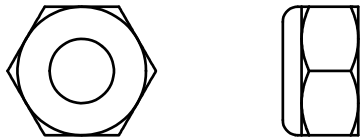
## Selector Rod HARDWARE ILLUSTRATION



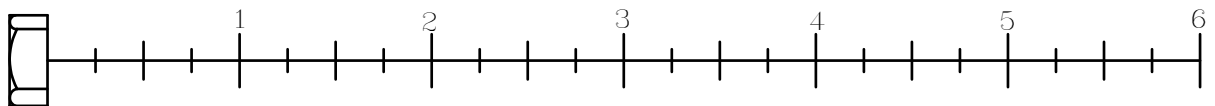
(A16)ROUND ALLEN HEAD M10X30L PARTIAL THREAD QTY.1



(A17)FIRM SHEATH(8890-046) QTY.1



(B5)NYLON LOCK NUT M10 QTY.1

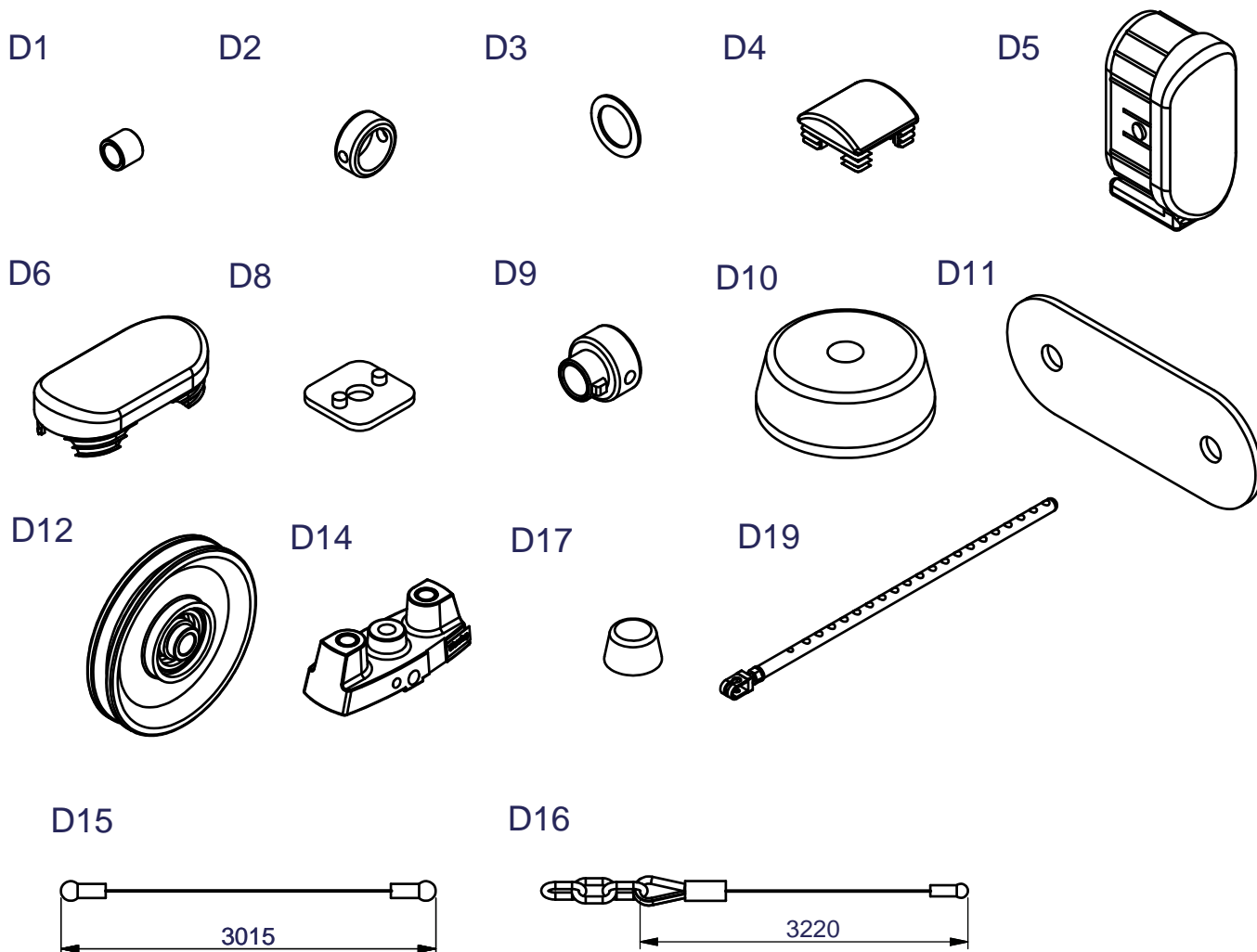




# DPEC ASSEMBLY INSTRUCTIONS

## HARDWARE ILLUSTRATION

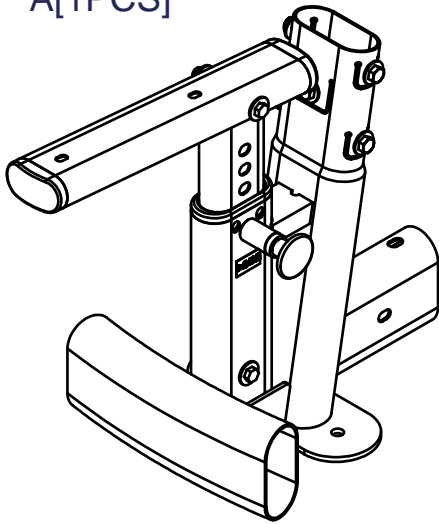
D1.Ø3/4"X16L STEEL BUSHING (8110-066)-----	[2PCS]
D2.Ø36XØ26.5X15L STEEL BUSHING (8130-160)-----	[2PCS]
D3.Ø1" CU WASHER (8520-008)-----	[6PCS]
D4.2"X2" END CAP (9211-087)-----	[1PCS]
D5.58X116X2.5T FOOT CAP(9211-108)-----	[4PCS]
D6.58X116 END CAP(9211-112)-----	[3PCS]
D8.2"X2" RUBBER CANE CAP(9214-002)-----	[1PCS]
D9.Ø3/4" SHAFT COLLAR(9211-046)-----	[2PCS]
D10.Ø4" RUBBER DOUNT(9310-017)-----	[2PCS]
D11.95X250 RUBBER PAD(9310-060)-----	[3PCS]
D12.Ø117 PULLEY(9213-010B)-----	[7PCS]
D14.TOP PLATE(8400-006)-----	[1PCS]
D15.3015mm STEEL CABLE(FDPECA)-----	[1PCS]
D16.3220mm STEEL CABLE(FDPECB)-----	[1PCS]
D17.1/2" BOLT CAP(9212-024)-----	[2PCS]
D18.DPEC For DGYM Steel Cable(FDPECC)-----	[1PCS]
D19.WEIGHT SELECTOR BAR(8210-042B)-----	[1PCS]



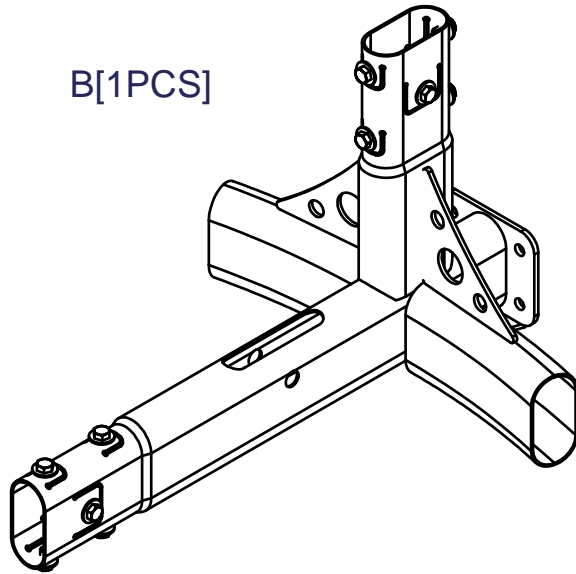
# DPEC ASSEMBLY INSTRUCTIONS

## PARTS ILLUSTRATION SHEET

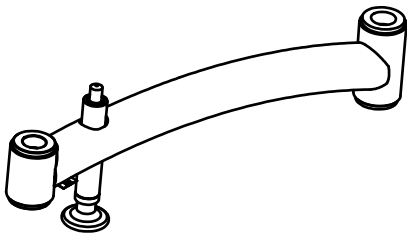
A[1PCS]



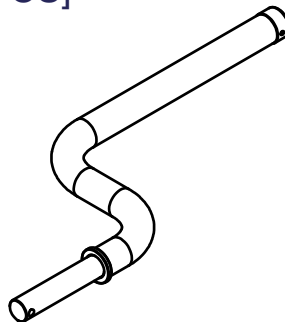
B[1PCS]



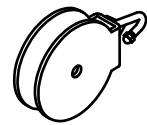
C[2PCS]



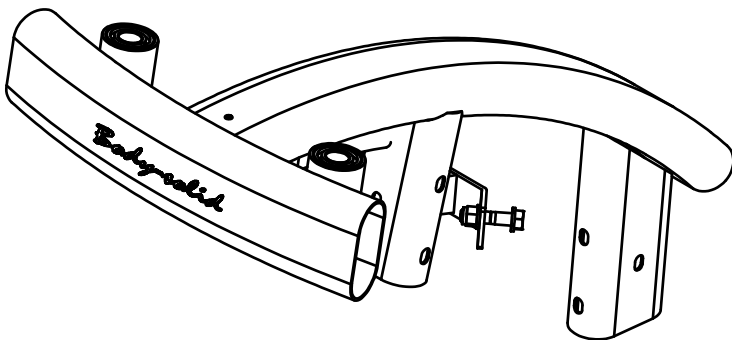
D[2PCS]



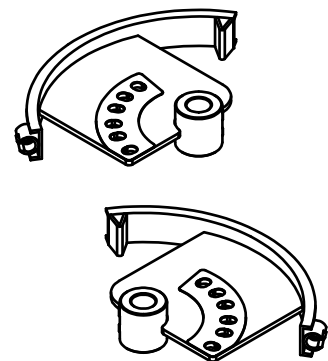
F[1PCS]



G[1PCS]



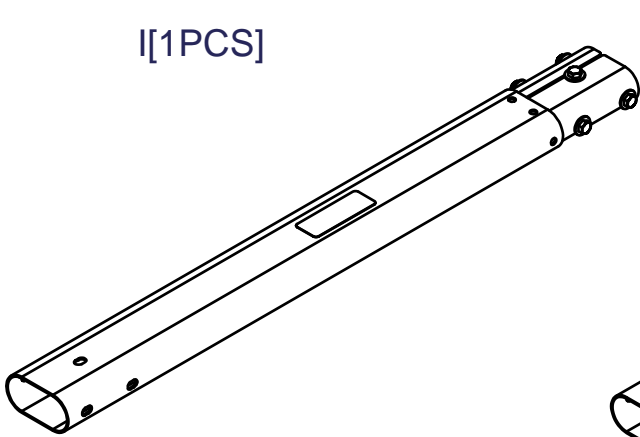
H[2PCS]



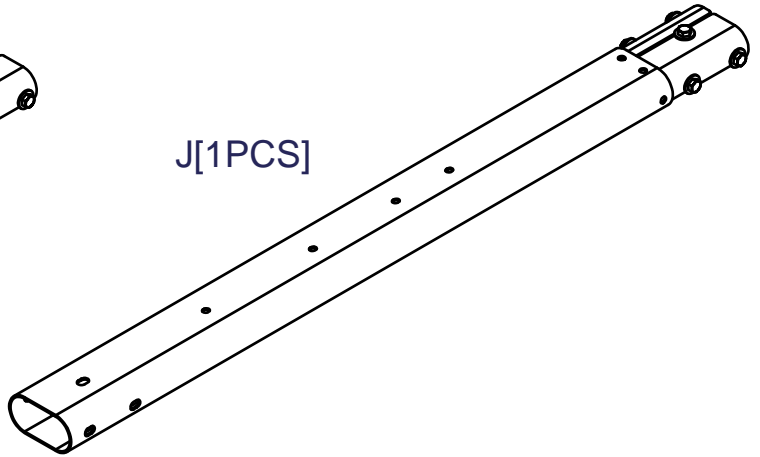
# DPEC ASSEMBLY INSTRUCTIONS

## PARTS ILLUSTRATION SHEET

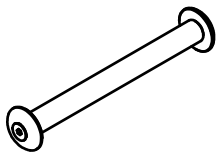
I[1PCS]



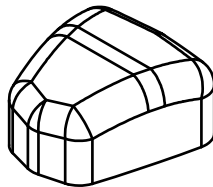
J[1PCS]



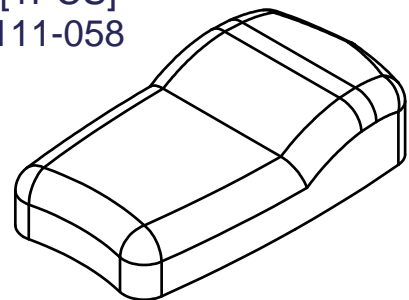
K[2PCS]  
8220-135



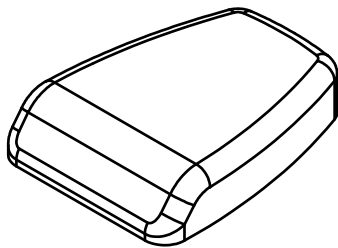
L[1PCS]  
9111-057



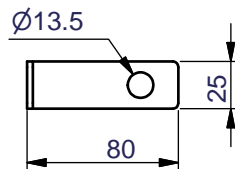
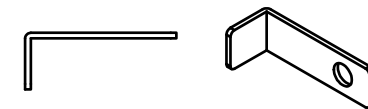
M[1PCS]  
9111-058



N[1PCS]  
9121-055



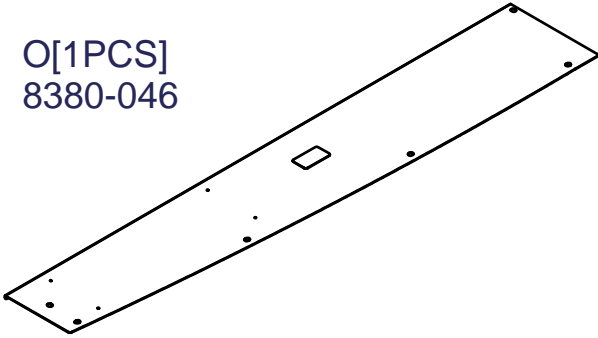
AA[2PCS]  
8331-015



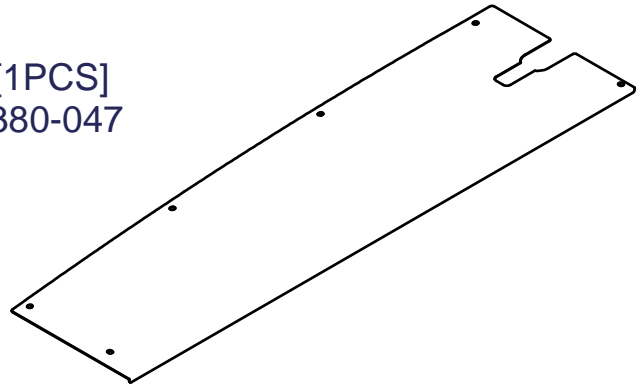
# DPEC ASSEMBLY INSTRUCTIONS

## FRAME PARTS ILLUSTRATION SHEET

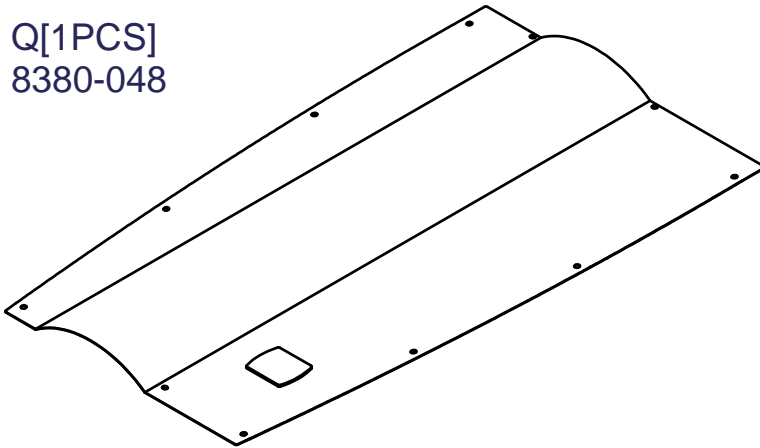
O[1PCS]  
8380-046



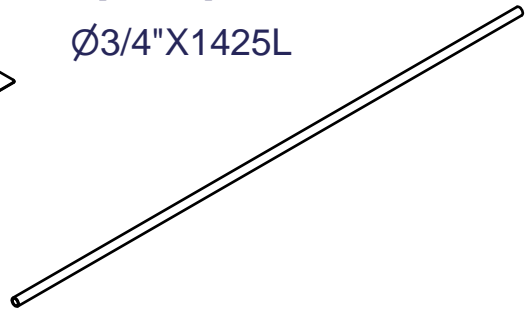
P[1PCS]  
8380-047



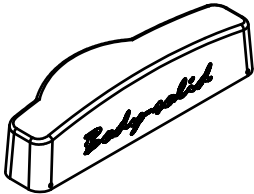
Q[1PCS]  
8380-048



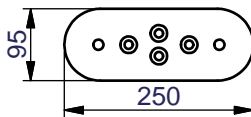
R[2PCS]  
Ø3/4"X1425L



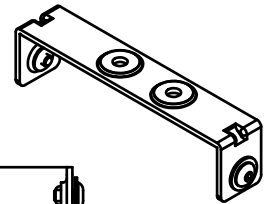
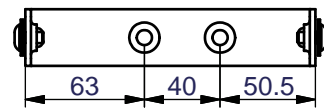
Z[1PCS]  
9211-111A



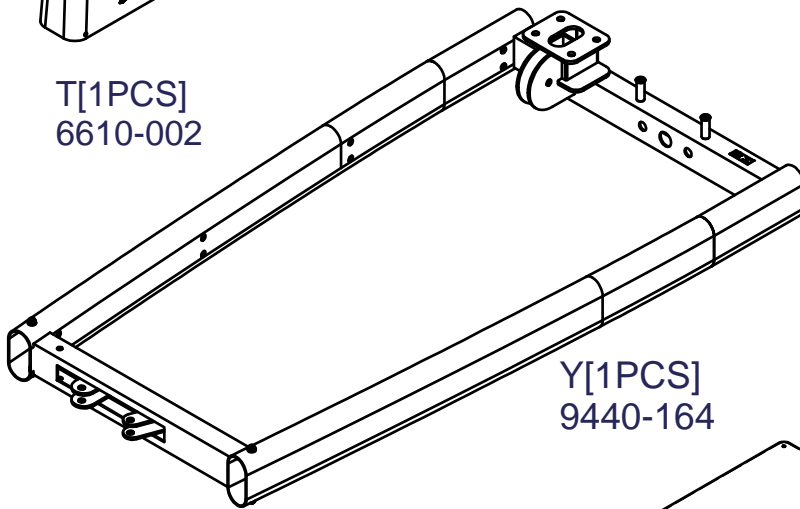
U[2PCS]  
8313-144



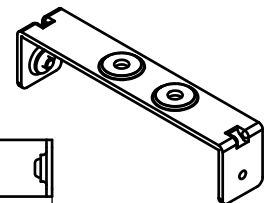
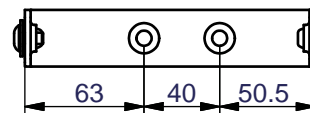
V[9PCS]  
8321-040  
both side



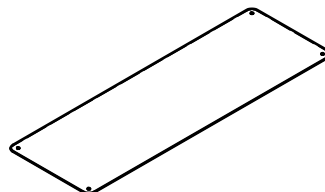
T[1PCS]  
6610-002



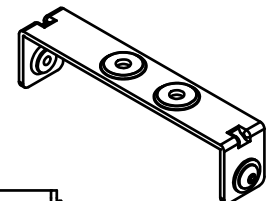
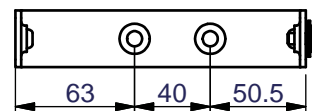
W[1PCS]  
8321-040  
one side



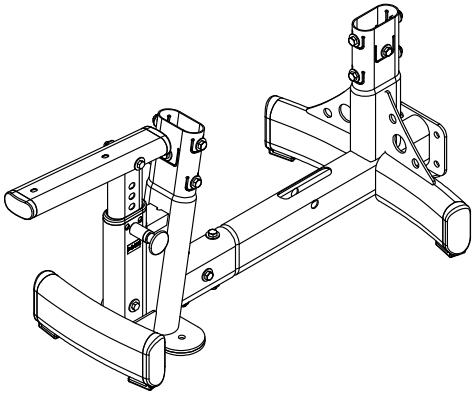
Y[1PCS]  
9440-164



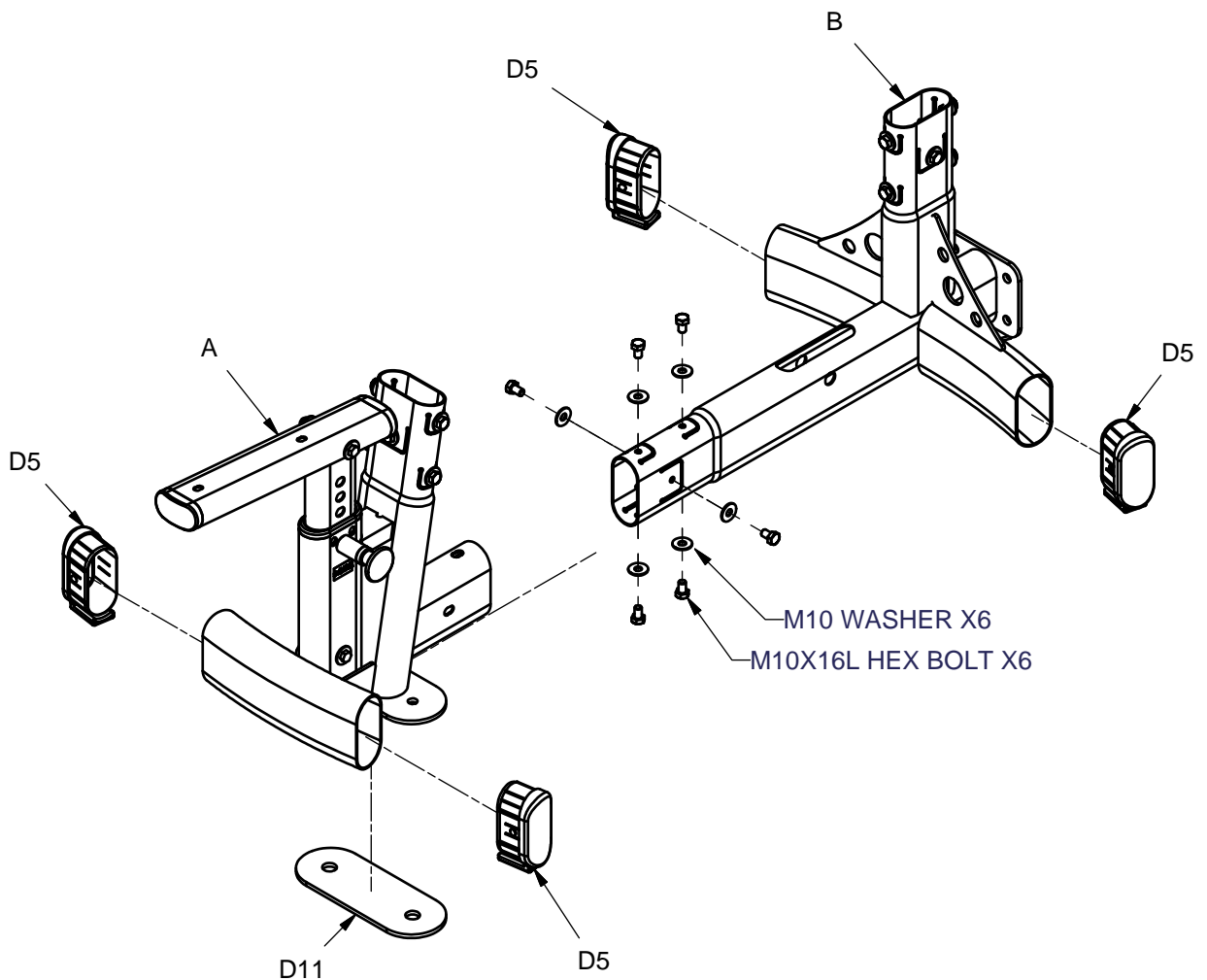
X[2PCS]  
8321-040  
one side



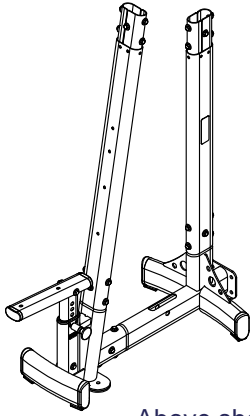
# DPEC ASSEMBLY INSTRUCTIONS



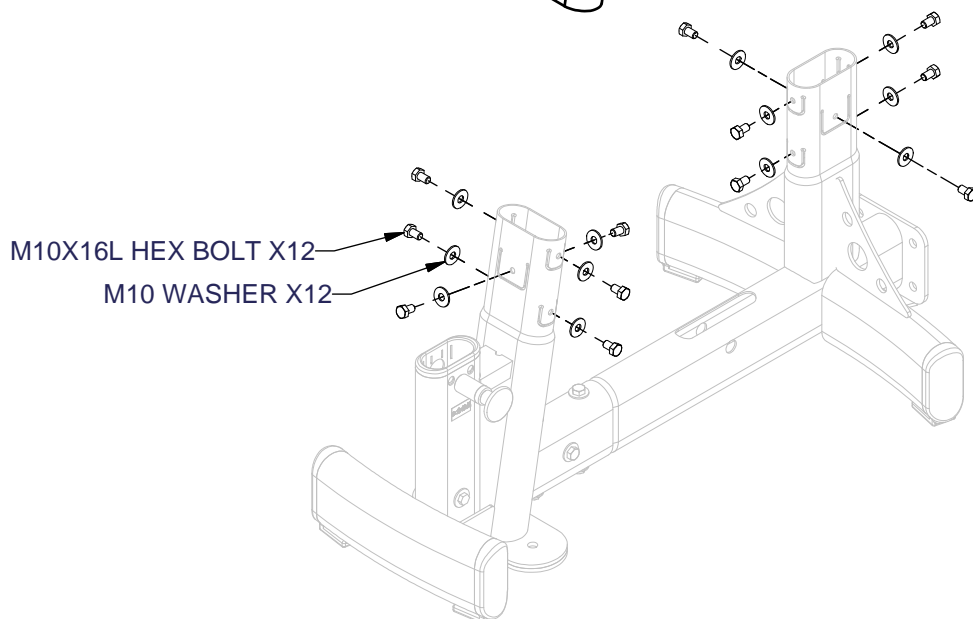
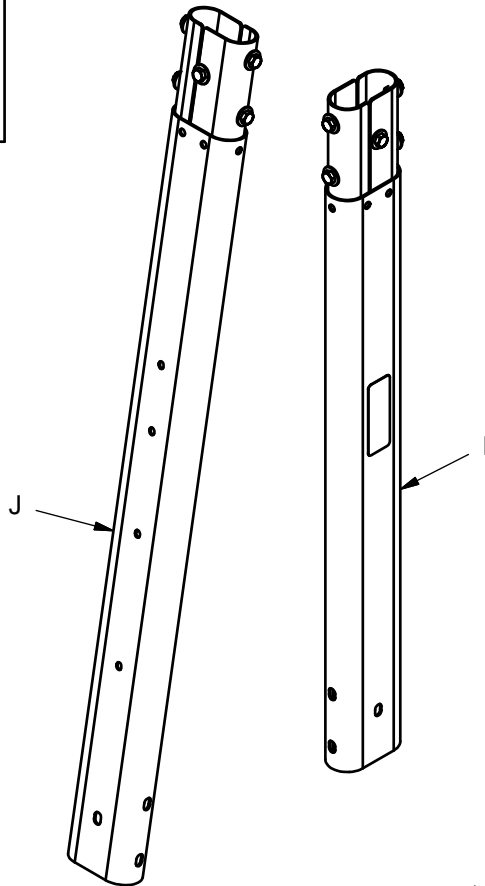
Above shows STEP 1  
assembled and completed



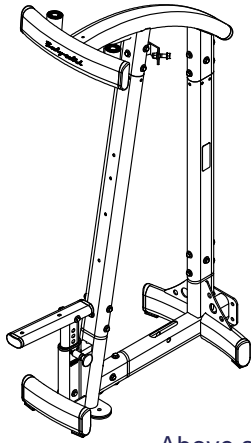
# DPEC ASSEMBLY INSTRUCTIONS



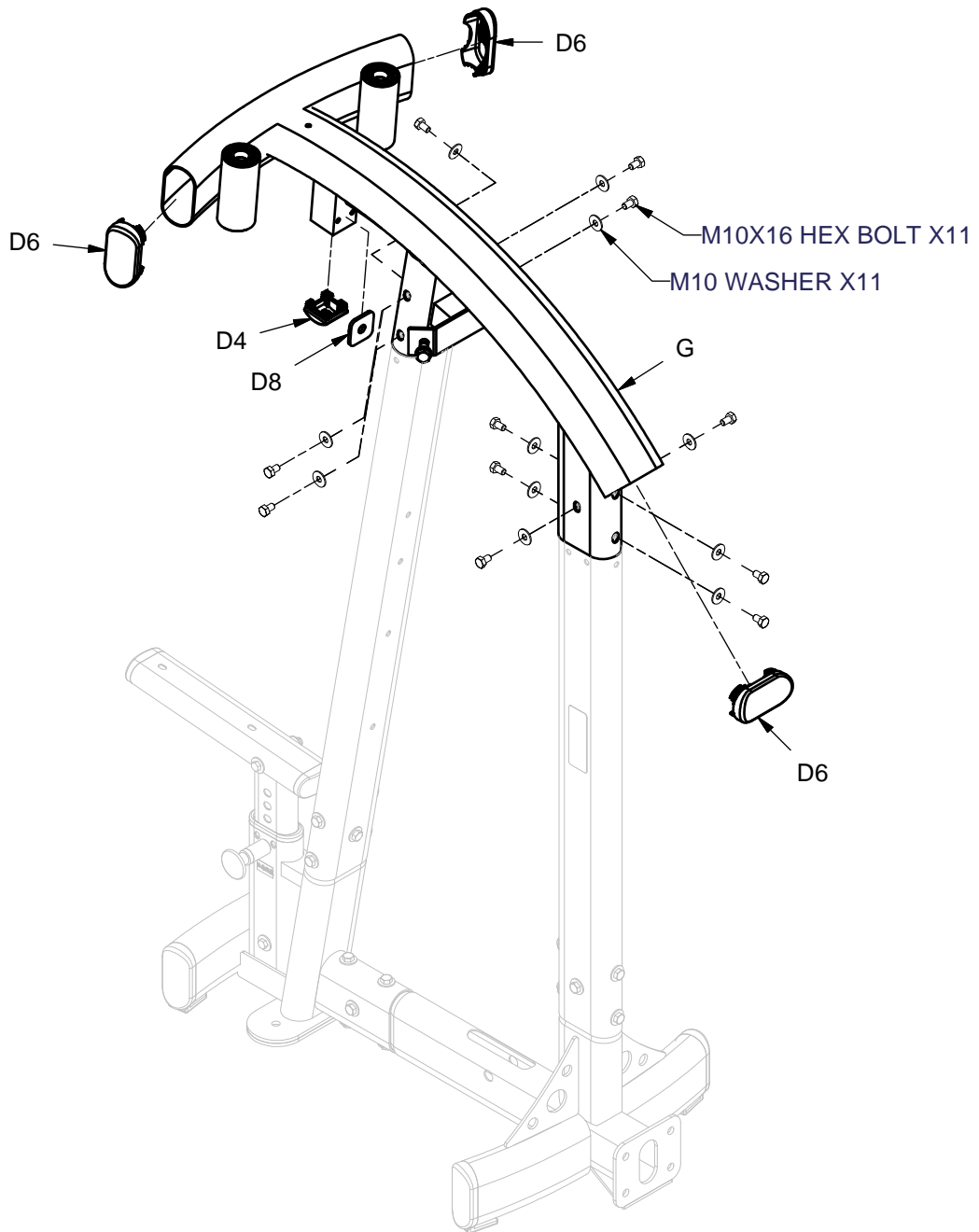
Above shows STEP 2  
assembled and completed



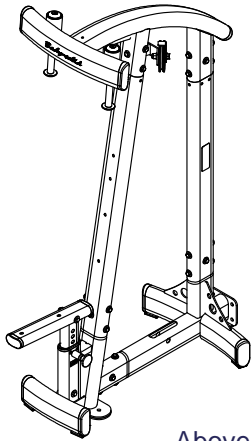
# DPEC ASSEMBLY INSTRUCTIONS



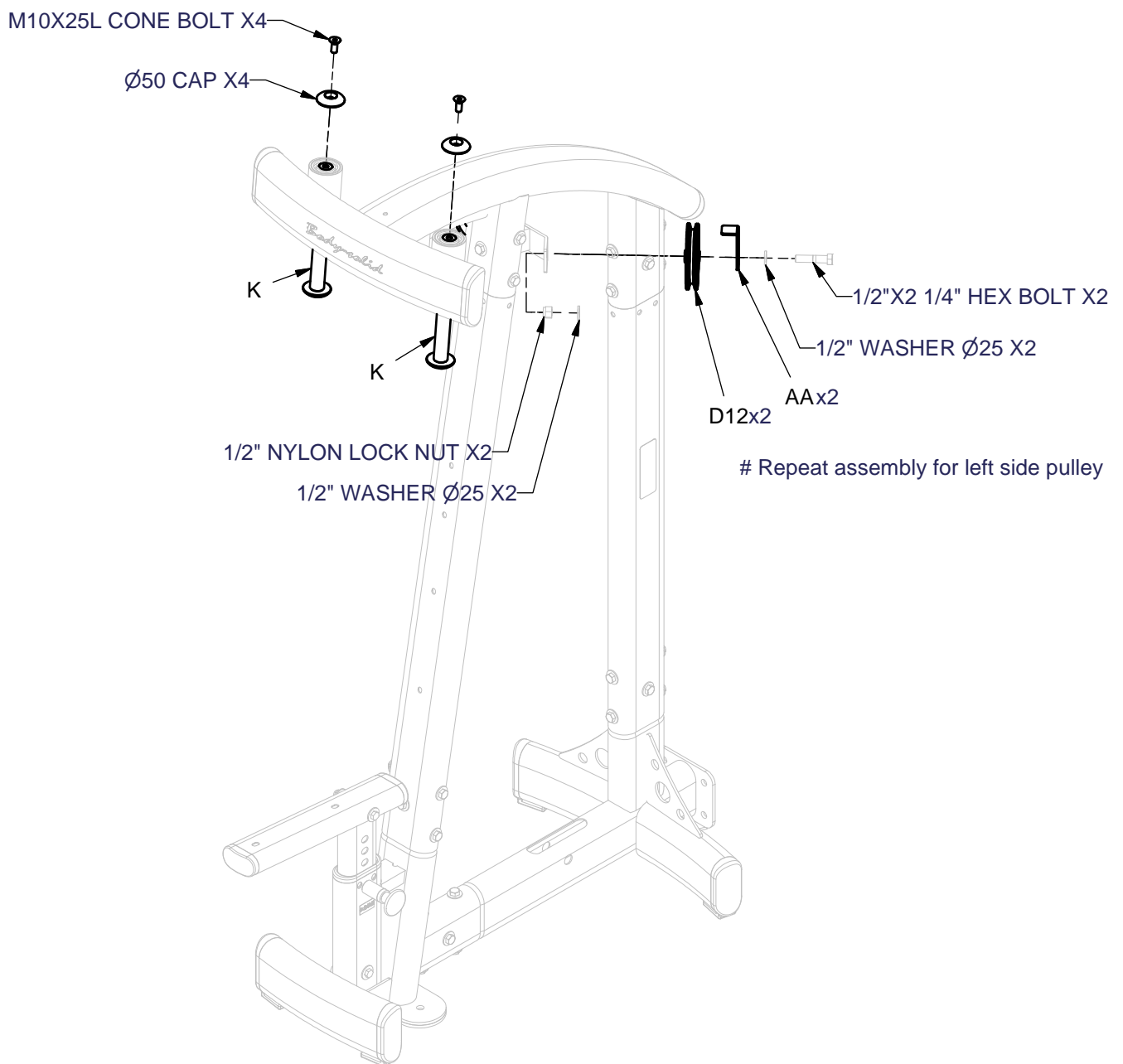
Above shows STEP 3  
assembled and completed



# DPEC ASSEMBLY INSTRUCTIONS

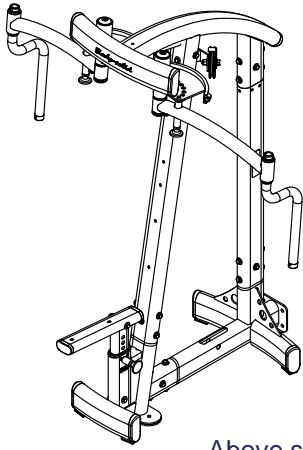


Above shows STEP 4  
assembled and completed

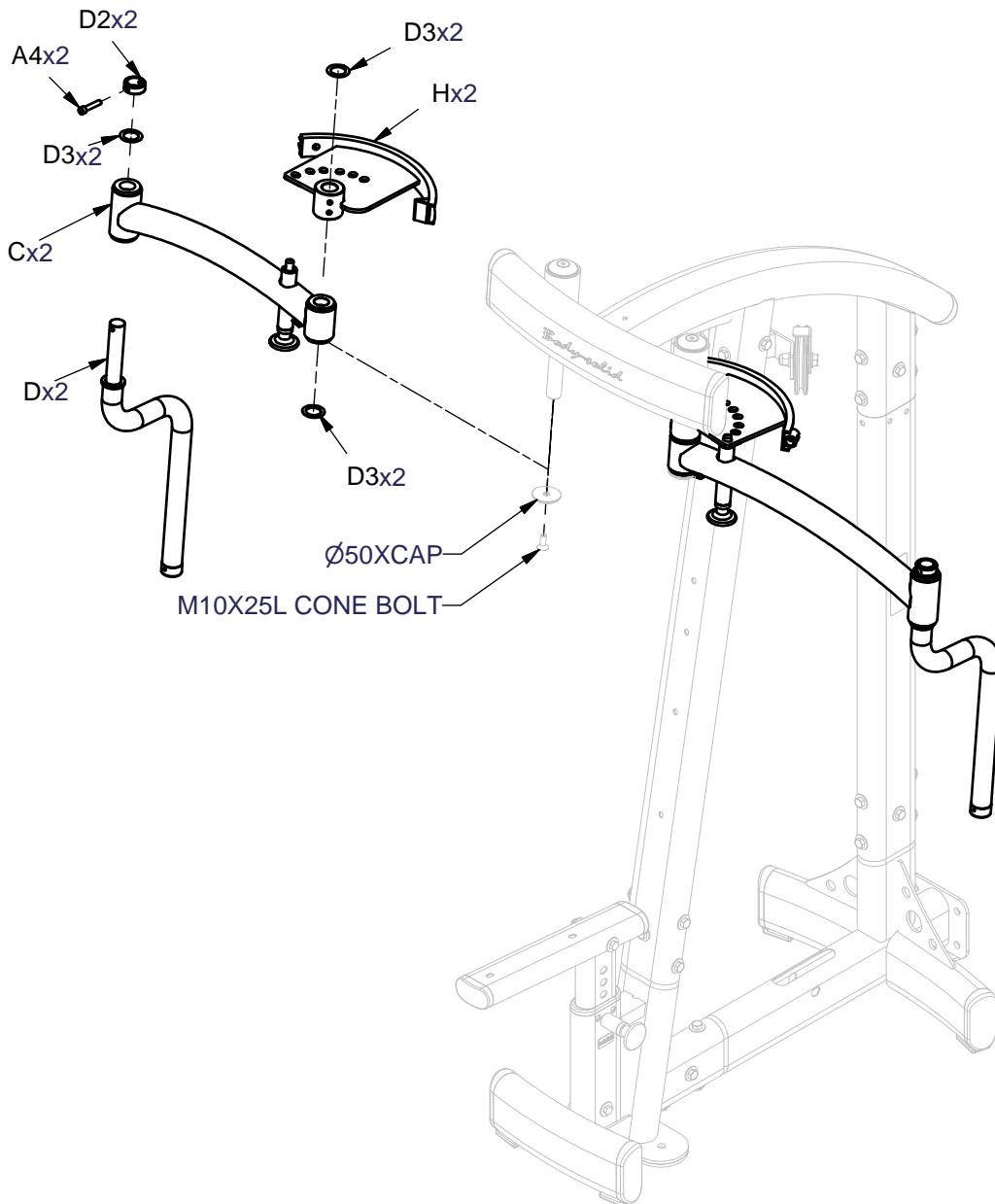




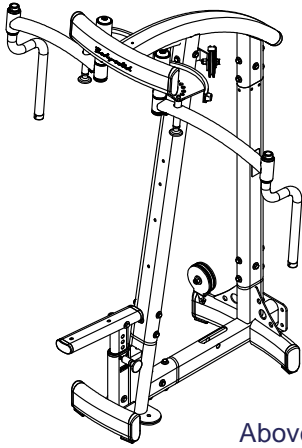
# DPEC ASSEMBLY INSTRUCTIONS



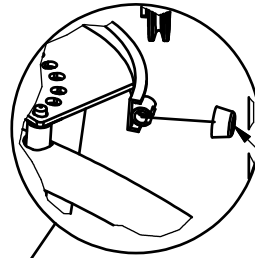
Above shows STEP 5  
assembled and completed



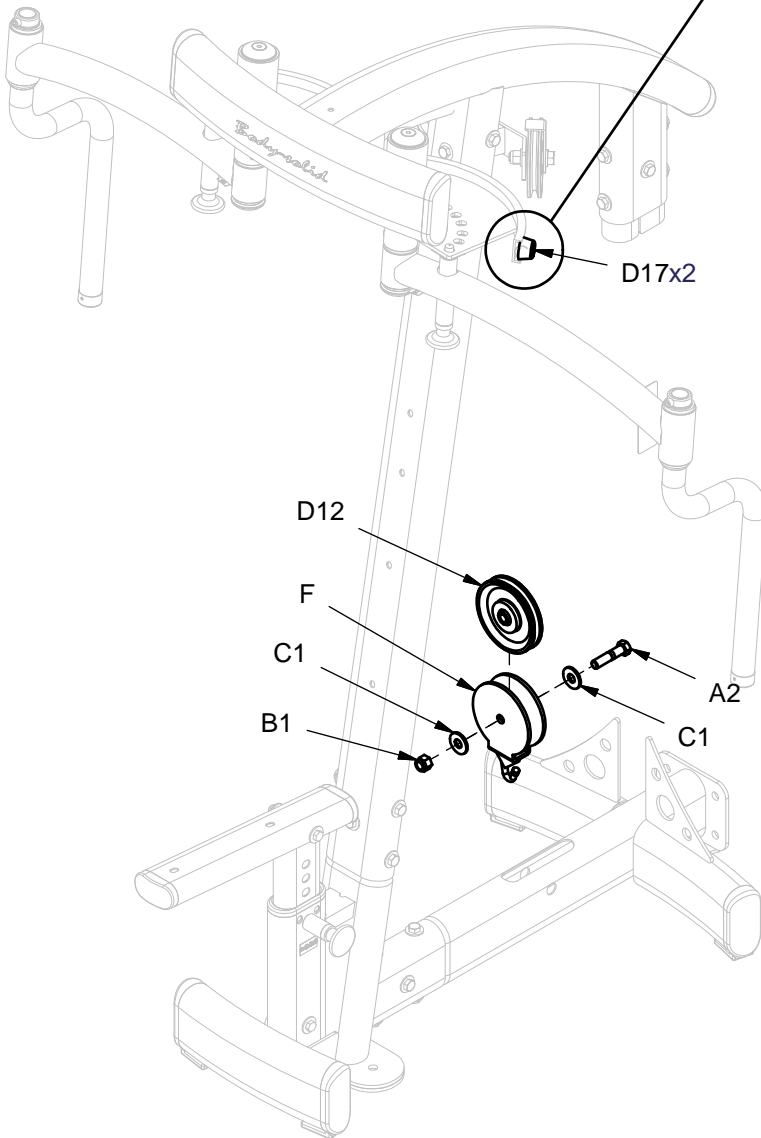
# DPEC ASSEMBLY INSTRUCTIONS



Above shows STEP 6  
assembled and completed



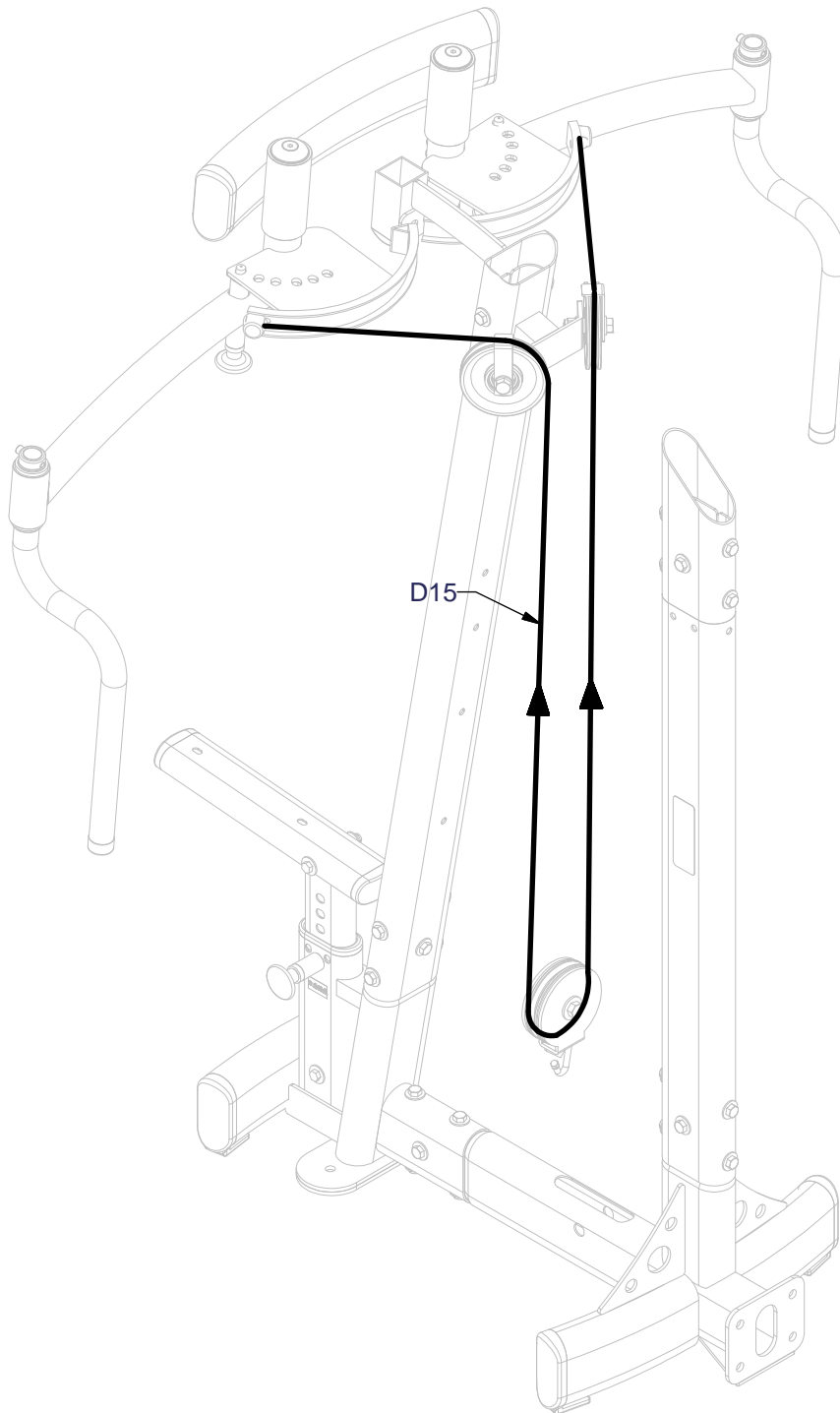
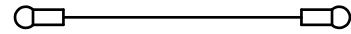
Press cap over  
cable end holder



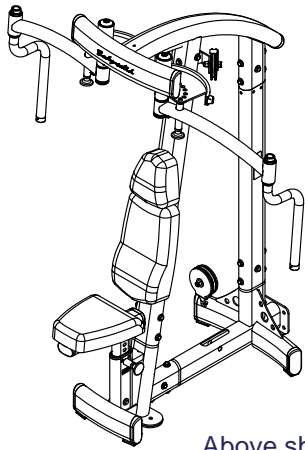
# DPEC ASSEMBLY INSTRUCTIONS

Cable to match illustration

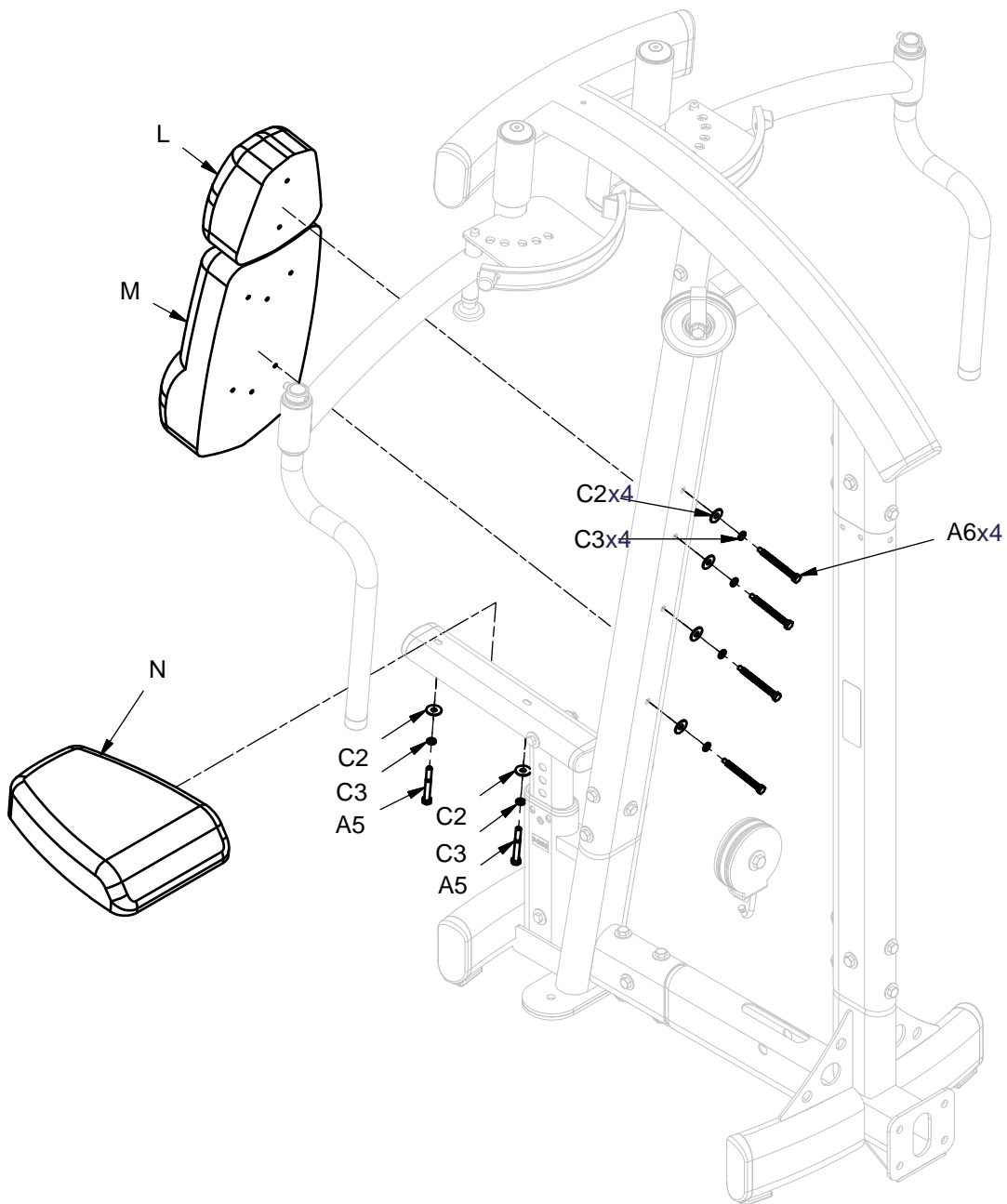
D15



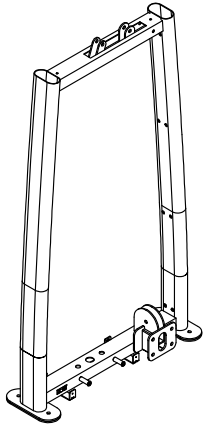
# DPEC ASSEMBLY INSTRUCTIONS



Above shows STEP 7  
assembled and completed

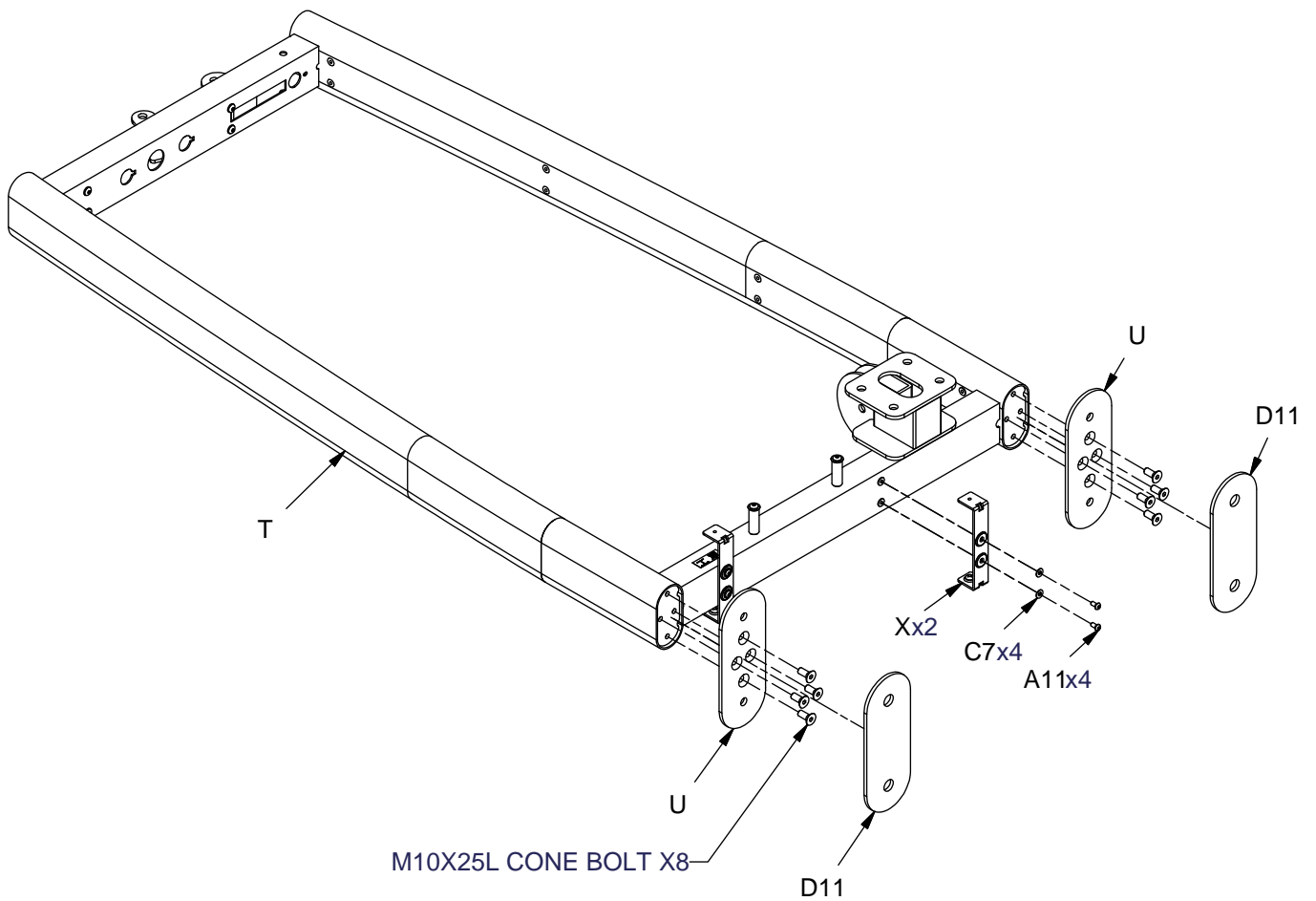


# DPEC ASSEMBLY INSTRUCTIONS

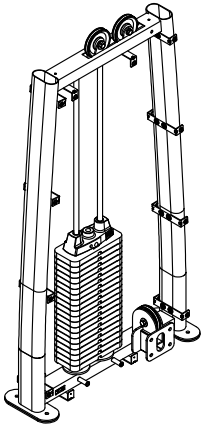


Above shows STEP 8  
assembled and completed

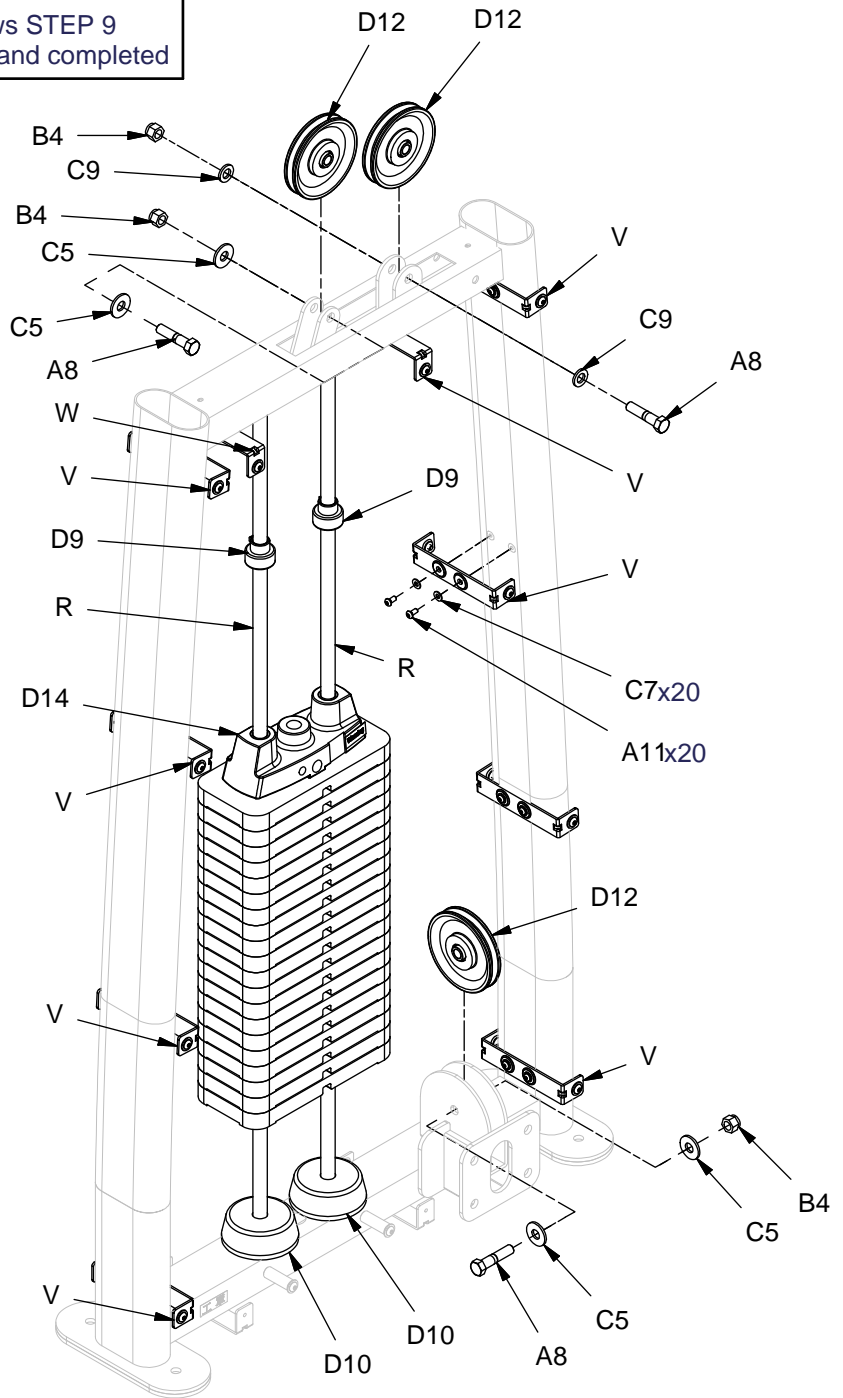
## DPEC single weight stack assembly instructions



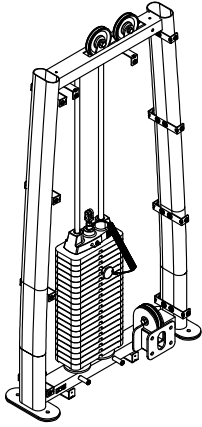
# DPEC ASSEMBLY INSTRUCTIONS



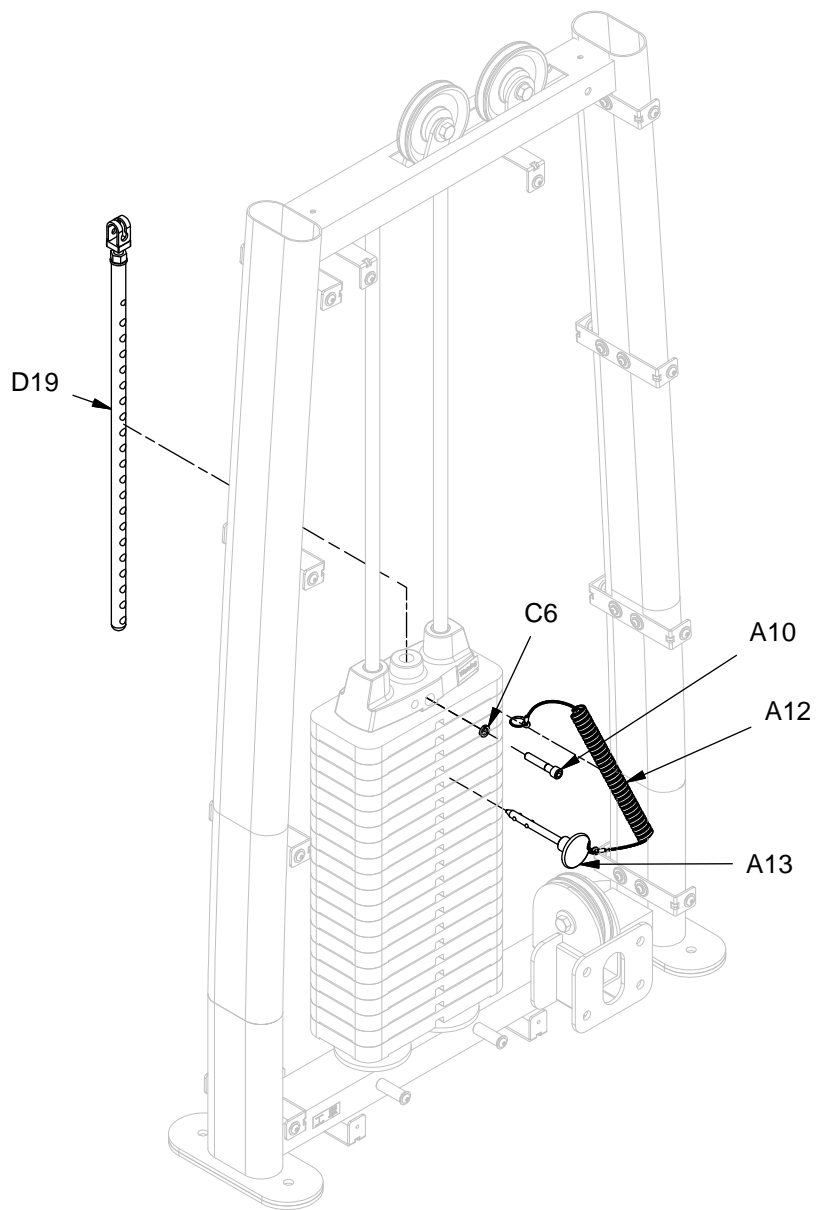
Above shows STEP 9 assembled and completed



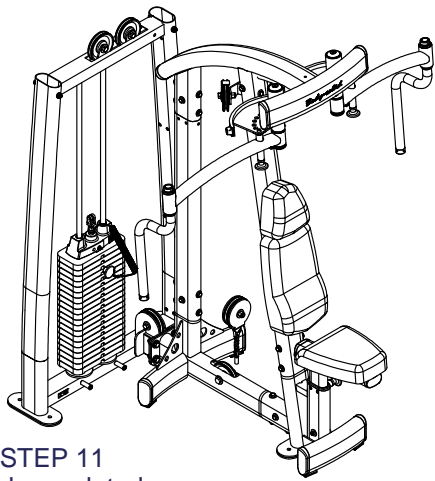
# DPEC ASSEMBLY INSTRUCTIONS



Above shows STEP 10  
assembled and completed



# DPEC ASSEMBLY INSTRUCTIONS

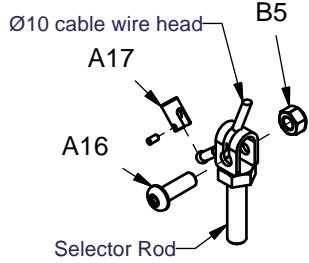


Above shows STEP 11  
assembled and completed

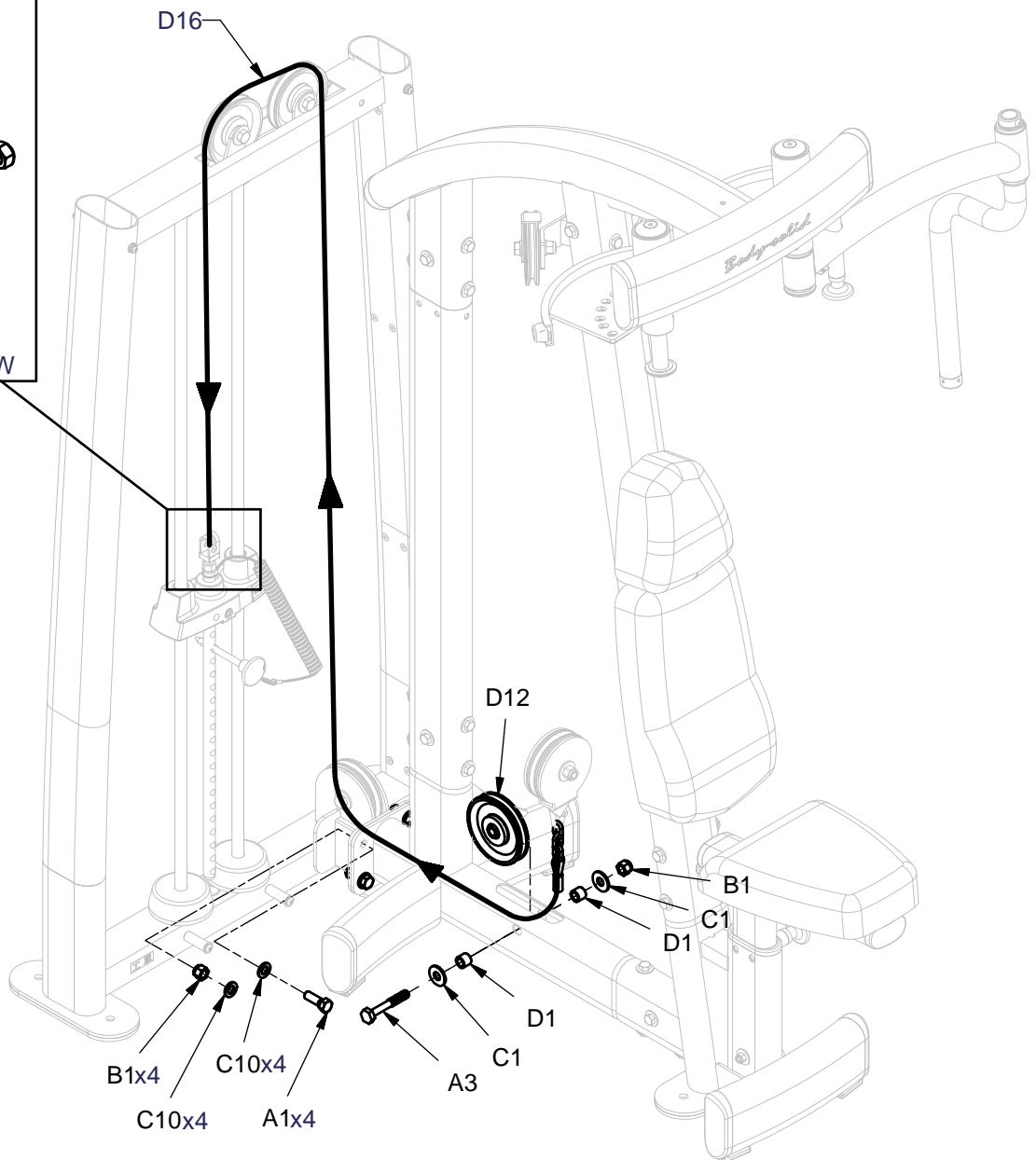
D16



assemble direction

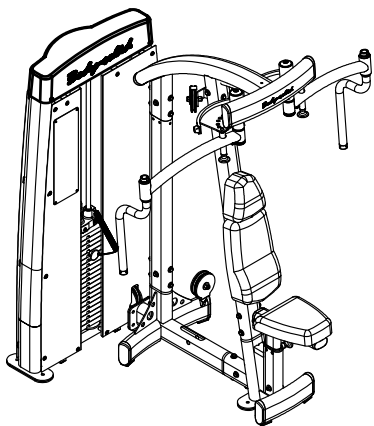


DETAIL VIEW

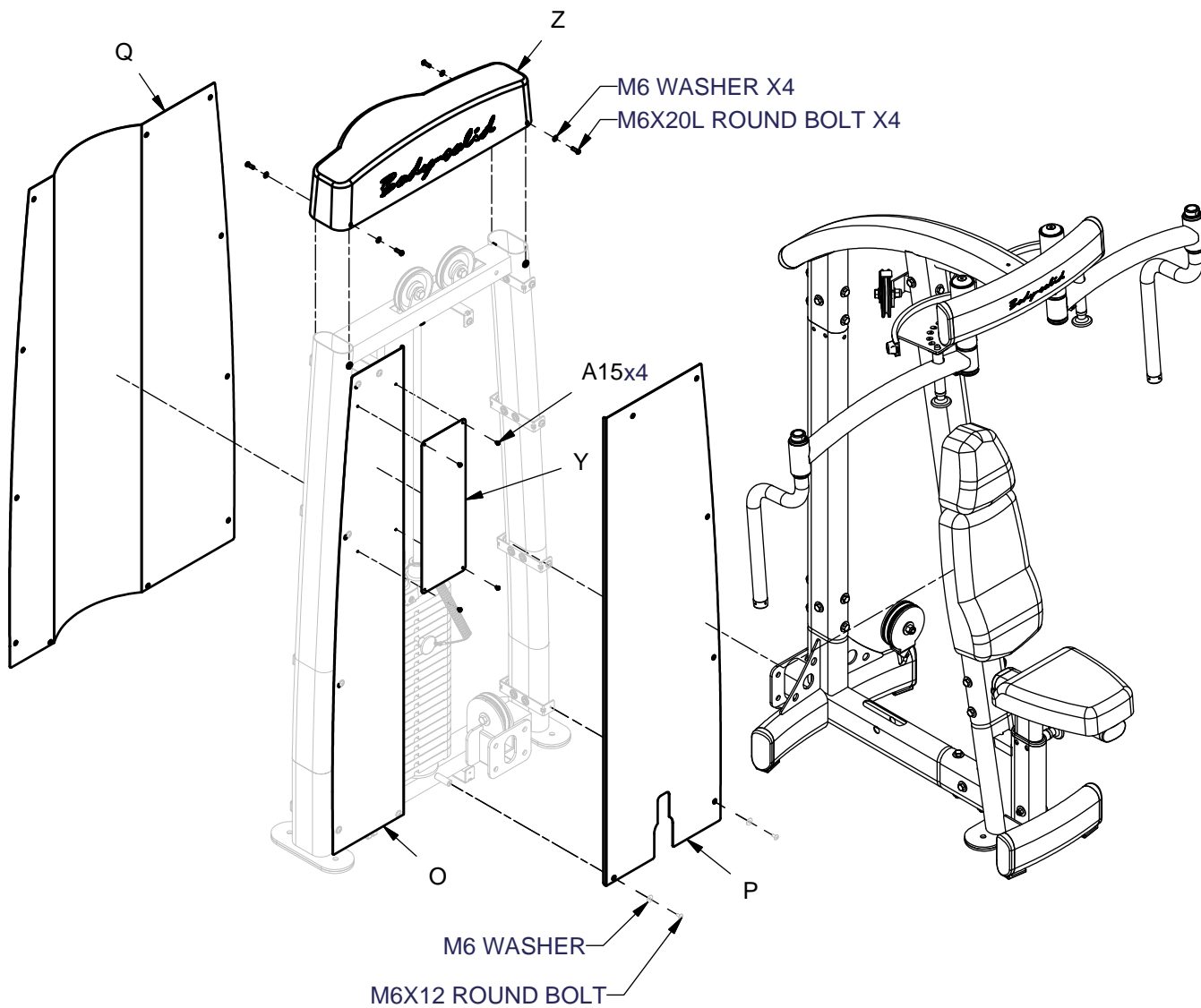




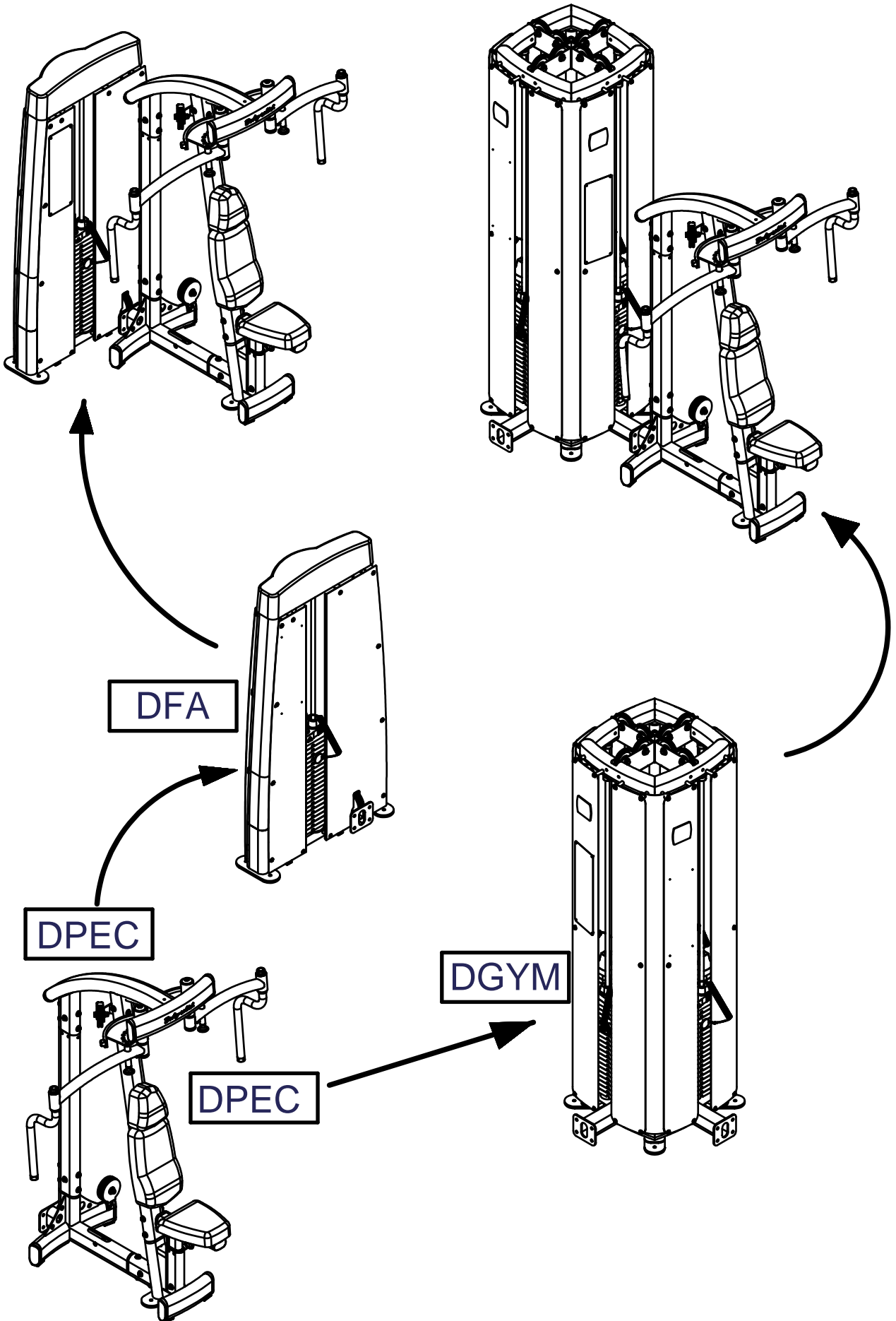
# DPEC ASSEMBLY INSTRUCTIONS



Above shows STEP12  
assembled and completed



# DPEC ASSEMBLY INSTRUCTIONS



# DPEC ASSEMBLY INSTRUCTIONS

## Cable to match illustration

D18



assemble direction →

