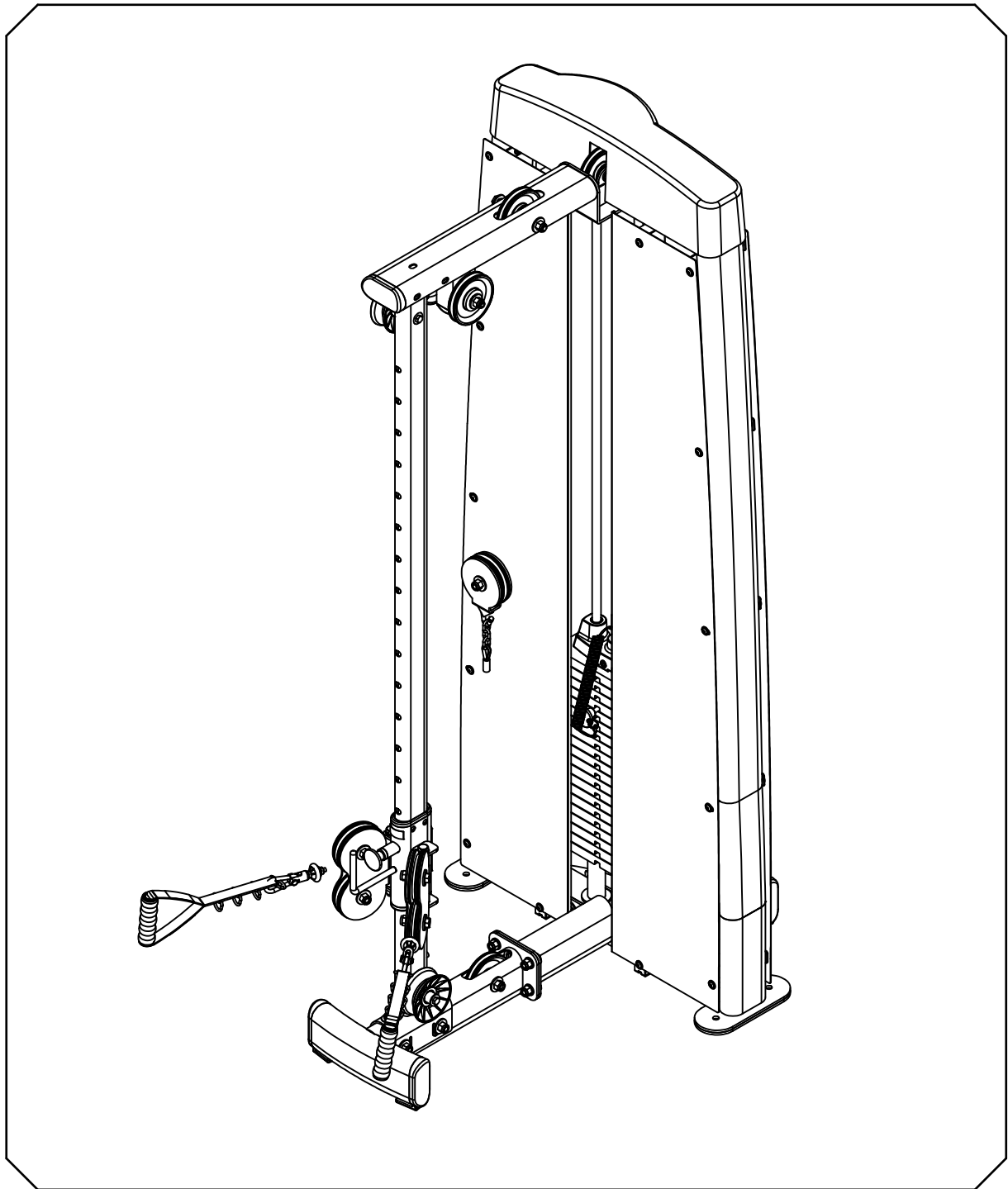


Body-Solid

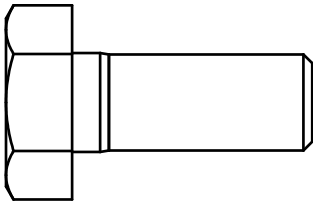


BODY-SOLID, Inc.
1900 S. Des Plaines Ave.
Forest Park, IL 60130 USA
Phone: (708) 427-3555
Fax: (708) 427-3556
www.bodysolid.com

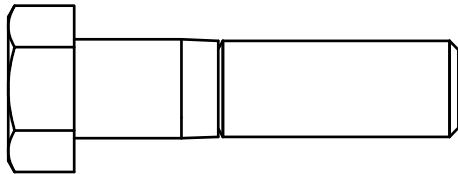
DPC.2 OWNER'S MANUAL

DPCC ASSEMBLY INSTRUCTIONS

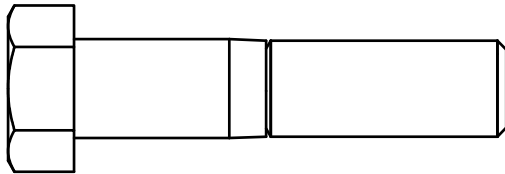
HARDWARW ILLUSTRATION



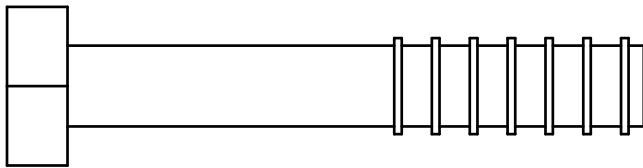
(A1)HEX BOLT 1/2"X1-1/4"L PARTIAL QTY.4



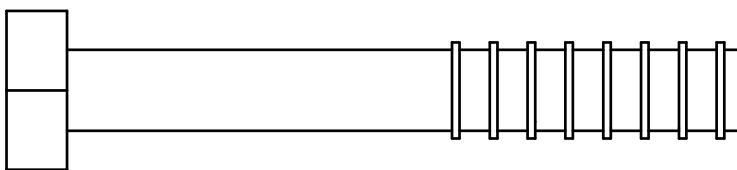
(A2)HEX BOLT 1/2"X2"L PARTIAL QTY.4



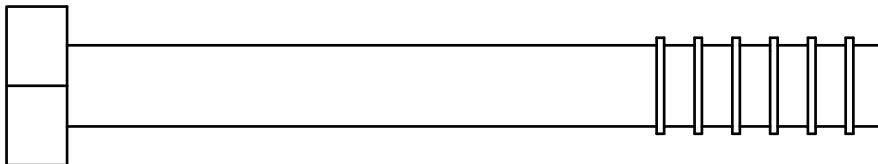
(A3)HEX BOLT 1/2"X2-1/4"L PARTIAL QTY.1



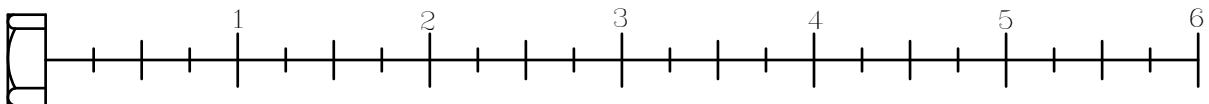
(A4)HEX BOLT 1/2"X3"L PARTIAL QTY.1



(A5)HEX BOLT 1/2"X3-1/2"L PARTIAL QTY.2

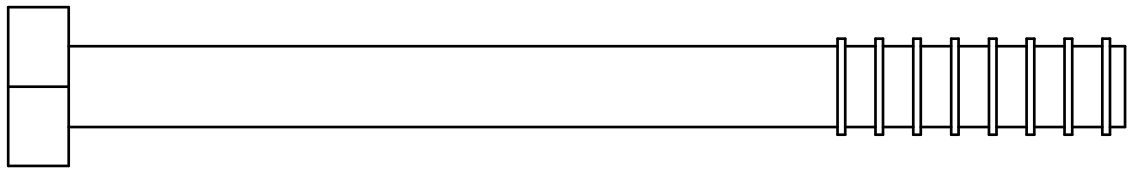


(A6)HEX BOLT 1/2"X4-1/4"L PARTIAL QTY.2

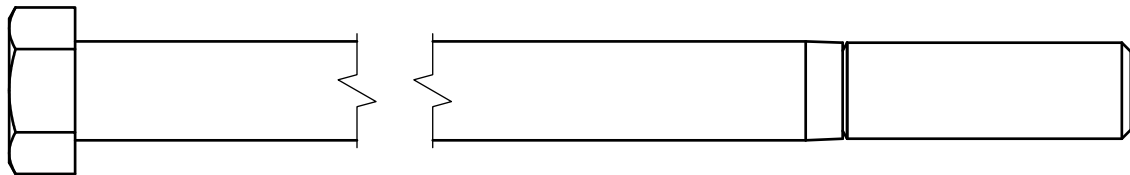


DPCC ASSEMBLY INSTRUCTIONS

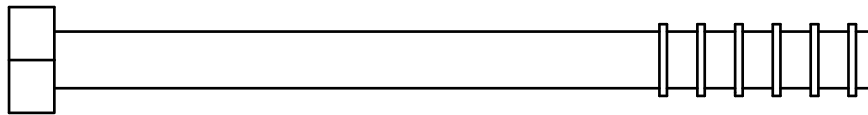
HARDWARE ILLUSTRATION



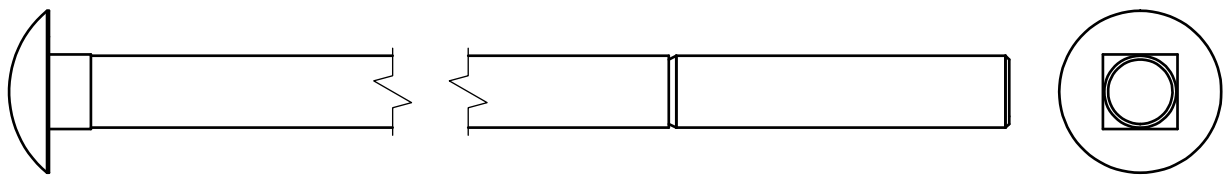
(A7)HEX BOLT 1/2"X5-1/2"L PARTIAL QTY.1



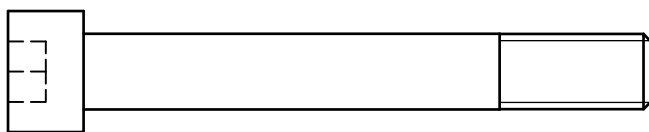
(A8)HEX BOLT 1/2"X6-1/2"L PARTIAL QTY.2



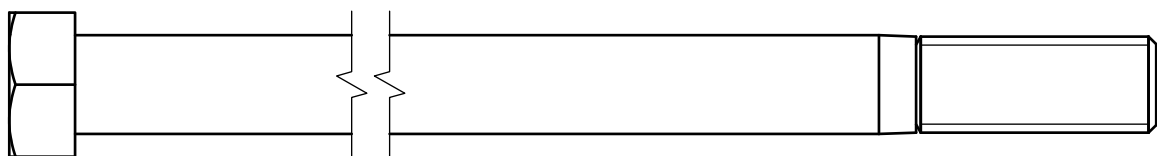
(A9)HEX BOLT 3/8"X4-1/4"L PARTIAL QTY.1



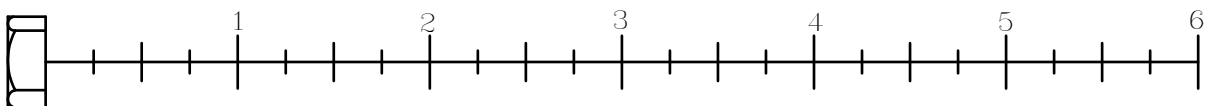
(A10)ROUND ALLEN HEAD 3/8"X5"-1/4"L PARTIAL QTY.2



(A11)ROUND ALLEN HEAD M10X75L PARTIAL THREAD QTY.2

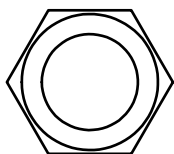
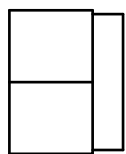


(A12)HEX BOLT 1/2"X6-1/4"L PARTIAL QTY.1

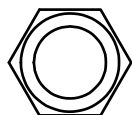
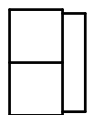


DPCC ASSEMBLY INSTRUCTIONS

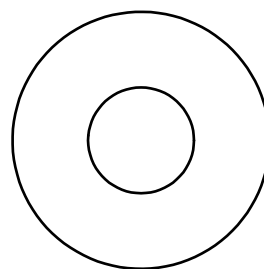
HARDWARW ILLUSTRATION



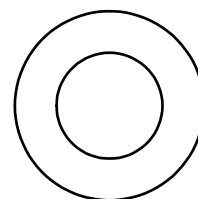
(B1) NYLON LOCK NUT 1/2" QTY. 18



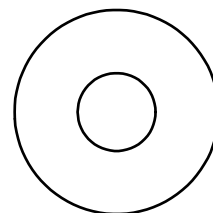
(B2) NYLON LOCK NUT 3/8" QTY. 3



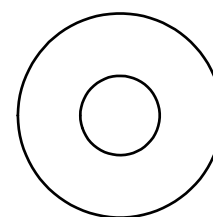
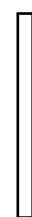
(C1) 1/2" (I.D.) FLAT WASHER Ø34 QTY. 24



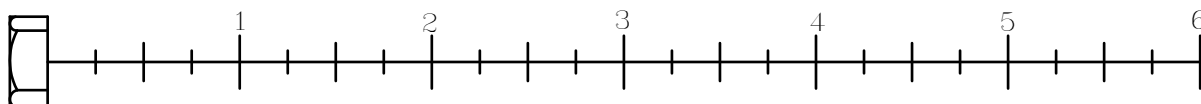
(C2) 1/2" (I.D.) FLAT WASHER Ø25 QTY. 12



(C3) 3/8" (I.D.) FLAT WASHER Ø27 QTY. 4

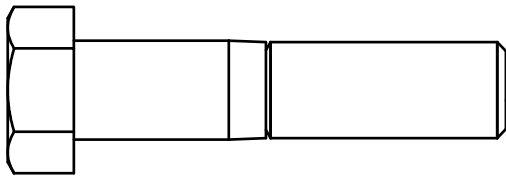


(C4) M10 (I.D.) FLAT WASHER Ø27 QTY. 2

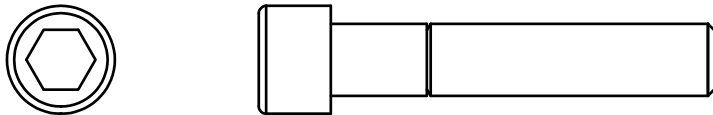


DPCC ASSEMBLY INSTRUCTIONS

HARDWARW ILLUSTRATION



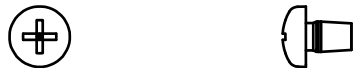
(AA2)HEX BOLT 1/2"X2-1/4"L PARTIAL QTY.1



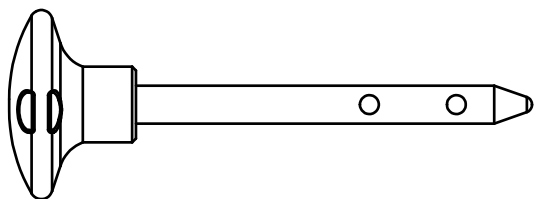
(AA4)ROUND INNER HEAD 3/8"X2"L PARTIAL QTY.1



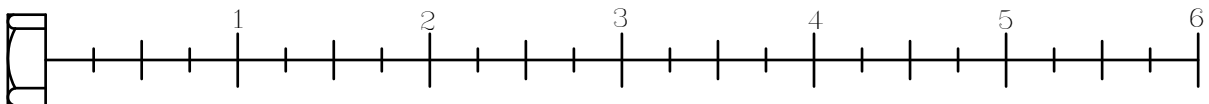
(AA5)ROUND INNER HEX SCREW M6X20L PARTIAL QTY.24



(AA6)ROUND CROSS SCREW 5/32"X1/4"L PARTIAL QTY.4

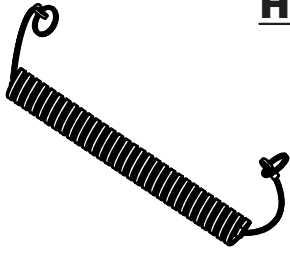


(AA7)10LB PIN(8250-071) QTY.1

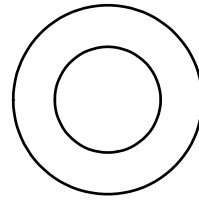


DPCC ASSEMBLY INSTRUCTIONS

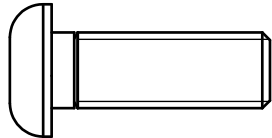
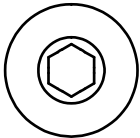
HARDWARW ILLUSTRATION



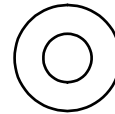
(AA8)ELASTIC BOLT QTY.1



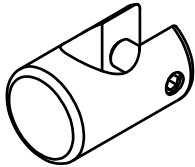
(CC1)1/2"(I.D.)FLAT WASHER Ø25 QTY.2



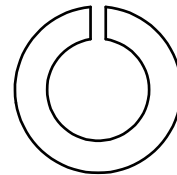
(AA10)ROUND INNER HEX SCREW
M10X30L PARTIAL QTY.1



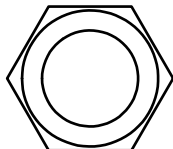
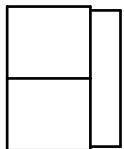
(CC2)M6(I.D.)FLAT WASHER Ø13 QTY.24



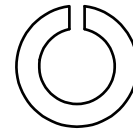
(AA11)FIRM SHEATH(8890-046) QTY.1



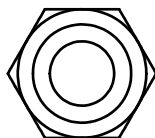
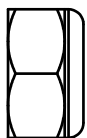
(CC4)SPRING WASHER 1/2" QTY.1



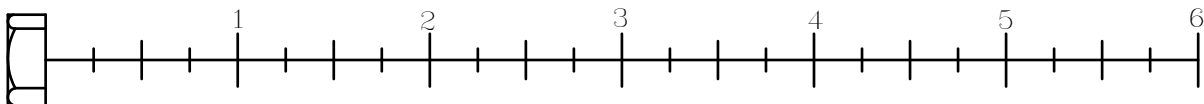
(BB2)NYLON LOCK NUT1/2" QTY.1



(CC5)SPRING WASHER 3/8" QTY.1



(BB3)NYLON LOCK NUT M10 QTY.1



DPCC ASSEMBLY INSTRUCTIONS

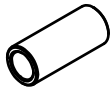
HARDWARW ILLUSTRATION

	(D2) \varnothing 3/4"X16L STEEL BUSHING(8110-066) -----	[4PCS]
	(D3) \varnothing 3/4"X45L STEEL BUSHING(8110-067) -----	[2PCS]
	(D4) \varnothing 8X80L SPRING SNAP LINK(8810-001) -----	[2PCS]
	(D5) \varnothing 3/4"SHAFT COLLAR(9211-046) -----	[2PCS]
	(D6) \square 50X50X1.8t END CAP(9211-087) -----	[1PCS]
	(D7) 50X100 NYLON BUSHING(9211-107) -----	[2PCS]
	(D8) 58X116X2.5t FOOT CAP(9211-108) -----	[4PCS]
	(D9) 58X116X2.5t END CAP(9211-112) -----	[1PCS]
	(D10) \varnothing 4" PULLEY(9213-022A) -----	[2PCS]
	(D11) \varnothing 4 1/2" PULLEY(9213-010B) -----	[10PCS]
	(D12) \varnothing 2-1/2" RUBBER DOUNT(9310-010) -----	[2PCS]
	(D13) 95X250 RUBBER PAD(9310-060) -----	[2PCS]
	(D14) HANDLE(9630-125) -----	[2PCS]
	(D15) TOP PLATE(8400-006) -----	[1PCS]
	(D17) 6845mm STEEL CABLE(FDPCCA) -----	[1PCS]
	(D18) 4160mm STEEL CABLE(FDPCCB) -----	[1PCS]
	(D19) DPCC FOR DGYM CABLE(FDPCCC) -----	[1PCS]
	(D20) WEIGHT SELECTOR BAR(8210-042B) -----	[1PCS]

D2



D3



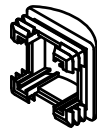
D4



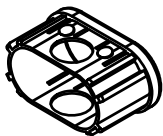
D5



D6



D7



D8



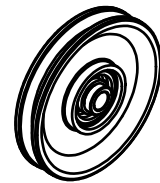
D9



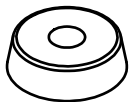
D10



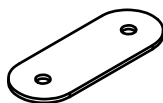
D11



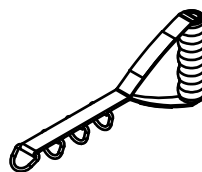
D12



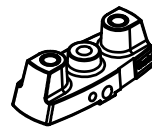
D13



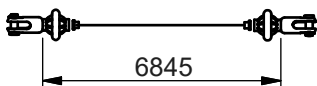
D14



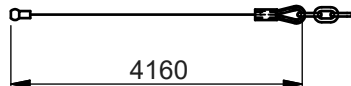
D15



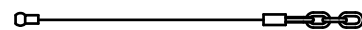
D17



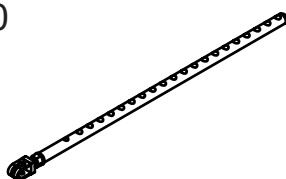
D18



D19



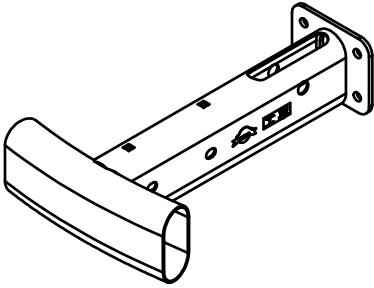
D20



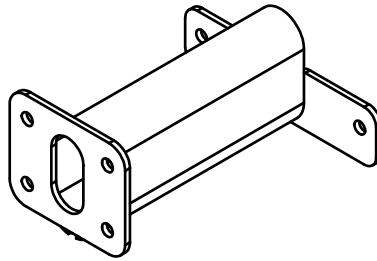
DPCC ASSEMBLY INSTRUCTIONS

PARTS ILLUSTRATION

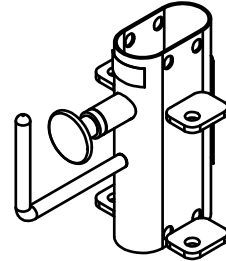
A [1PCS]



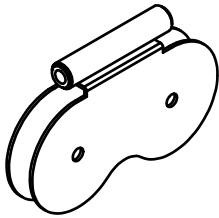
B [1PCS]



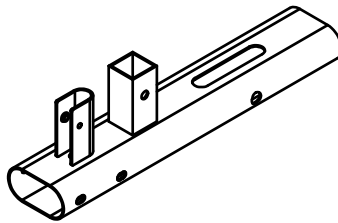
C [1PCS]



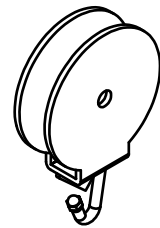
D [2PCS]



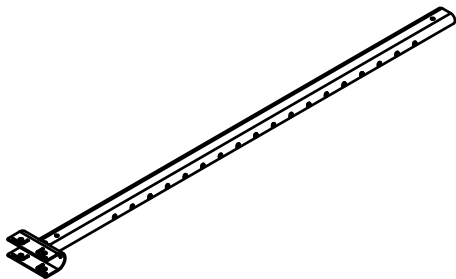
E [1PCS]



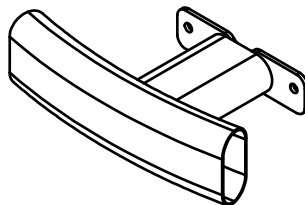
F [1PCS]



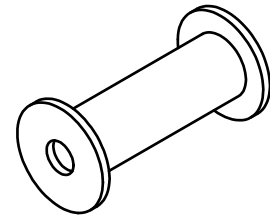
G [1PCS]



H [1PCS]



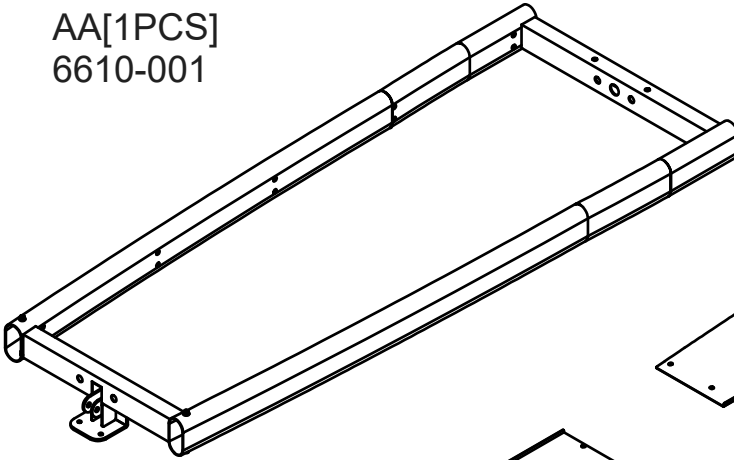
I [2PCS]



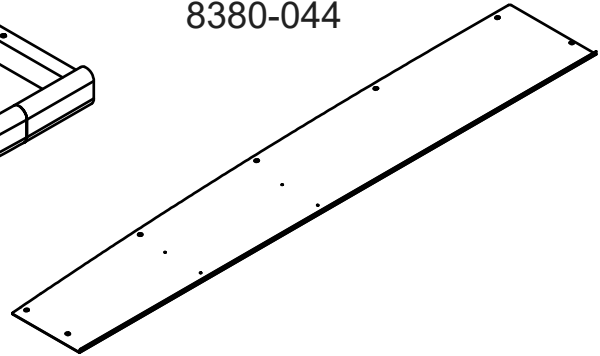
DPCC ASSEMBLY INSTRUCTIONS

PARTS ILLUSTRATION

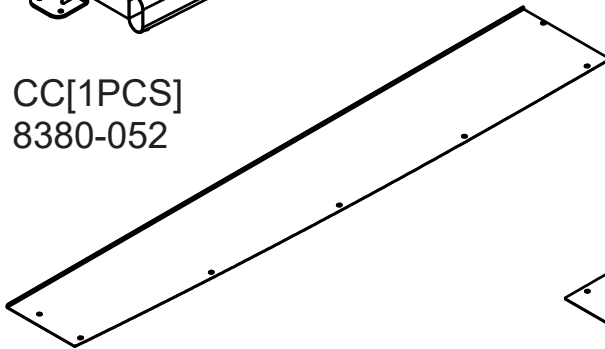
AA[1PCS]
6610-001



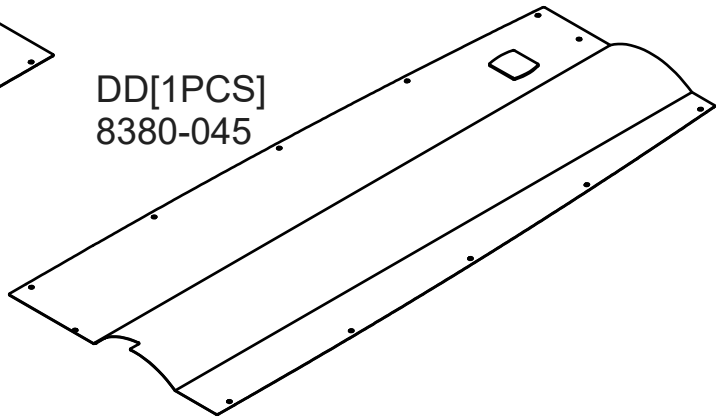
BB[1PCS]
8380-044



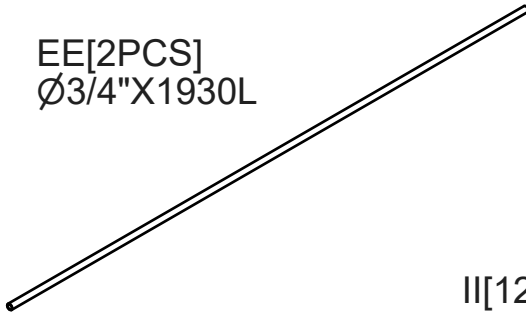
CC[1PCS]
8380-052



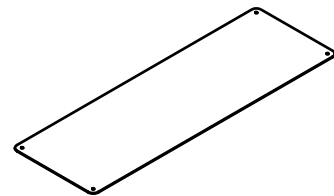
DD[1PCS]
8380-045



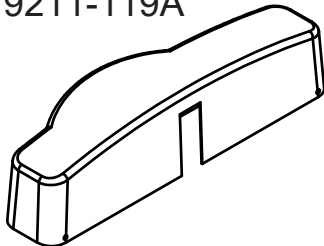
EE[2PCS]
Ø3/4"X1930L



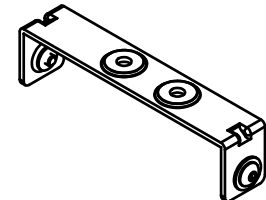
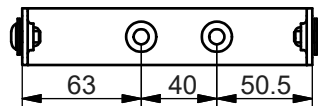
FF[1PCS]
9440-177



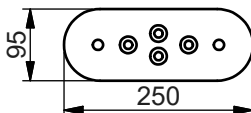
KK[1PCS]
9211-119A



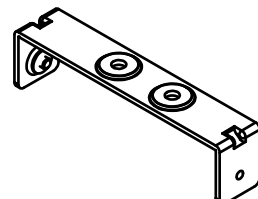
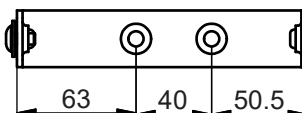
II[12PCS]
8321-040
both side



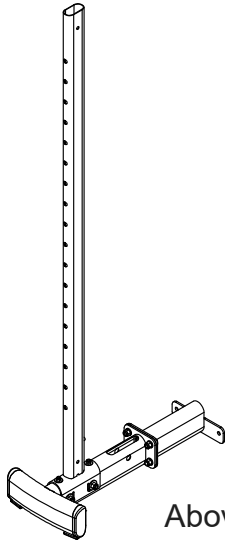
HH[2PCS]
8313-144



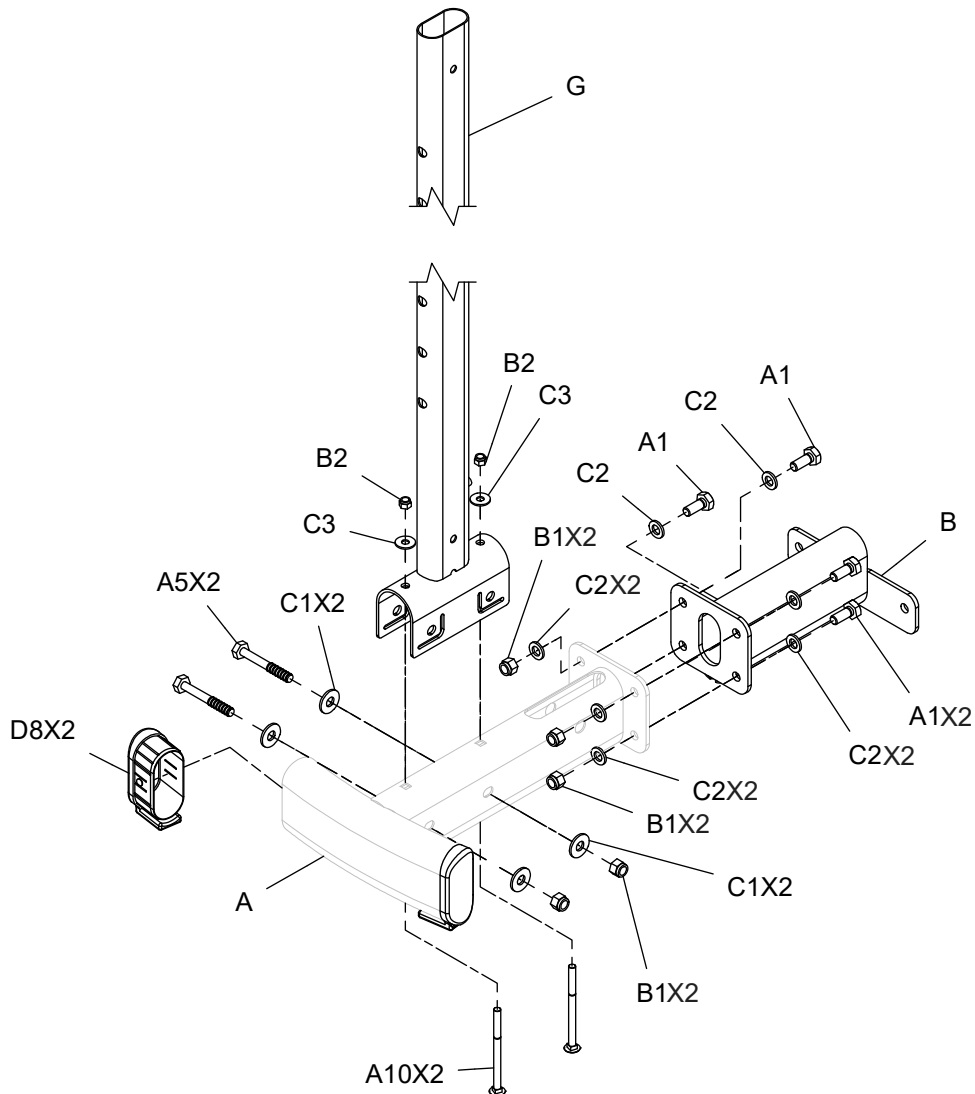
JJ[2PCS]
8321-040
one side



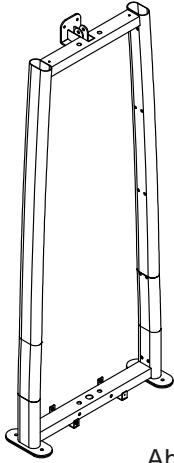
DPCC ASSEMBLY INSTRUCTIONS



Above shows STEP1
assembled and completed

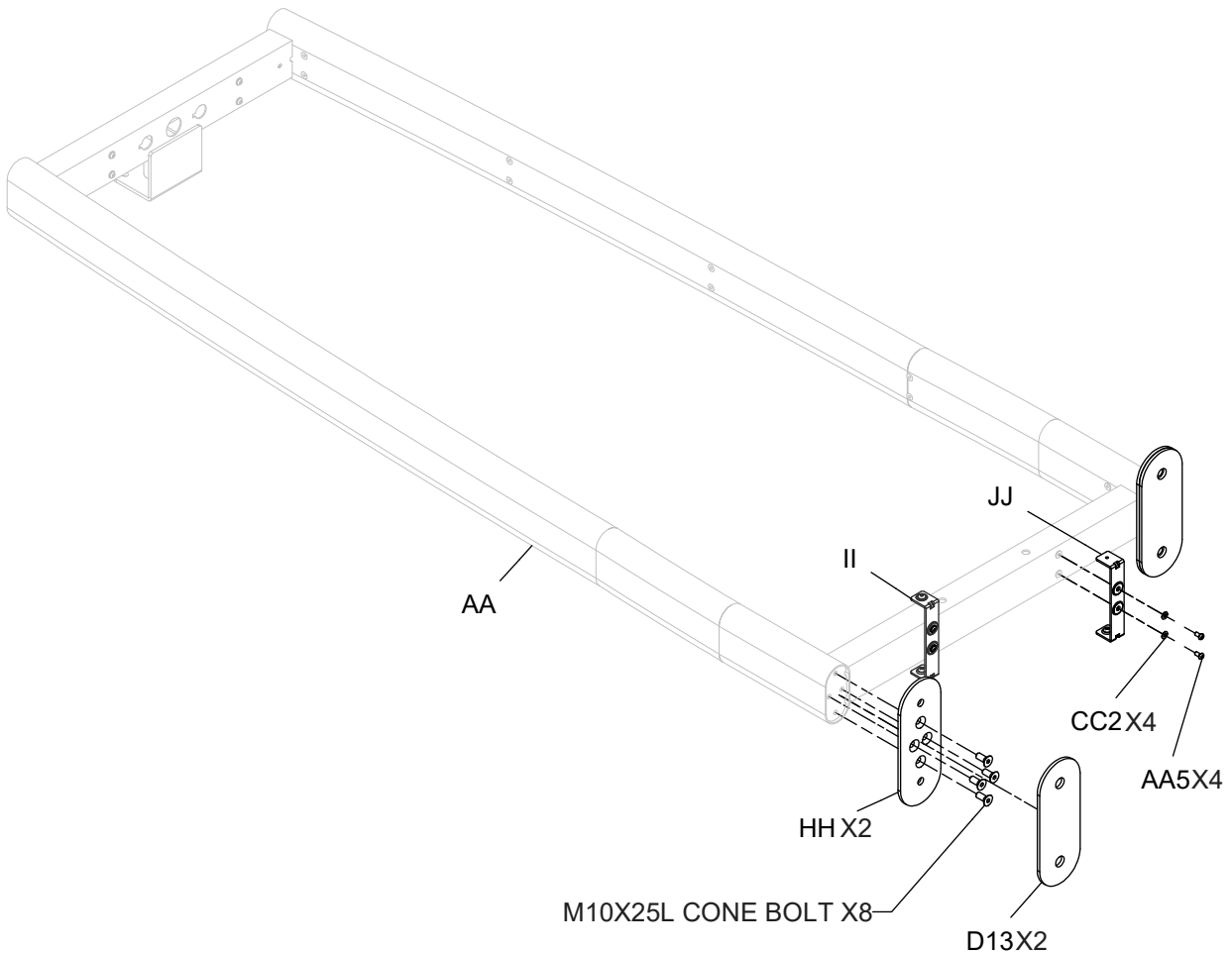


DPCC ASSEMBLY INSTRUCTIONS

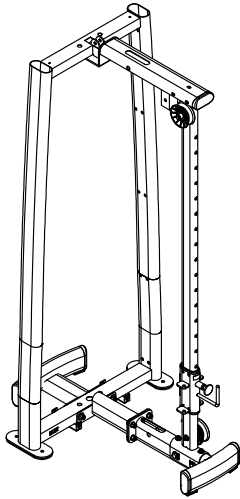


Above shows STEP 2
assembled and completed

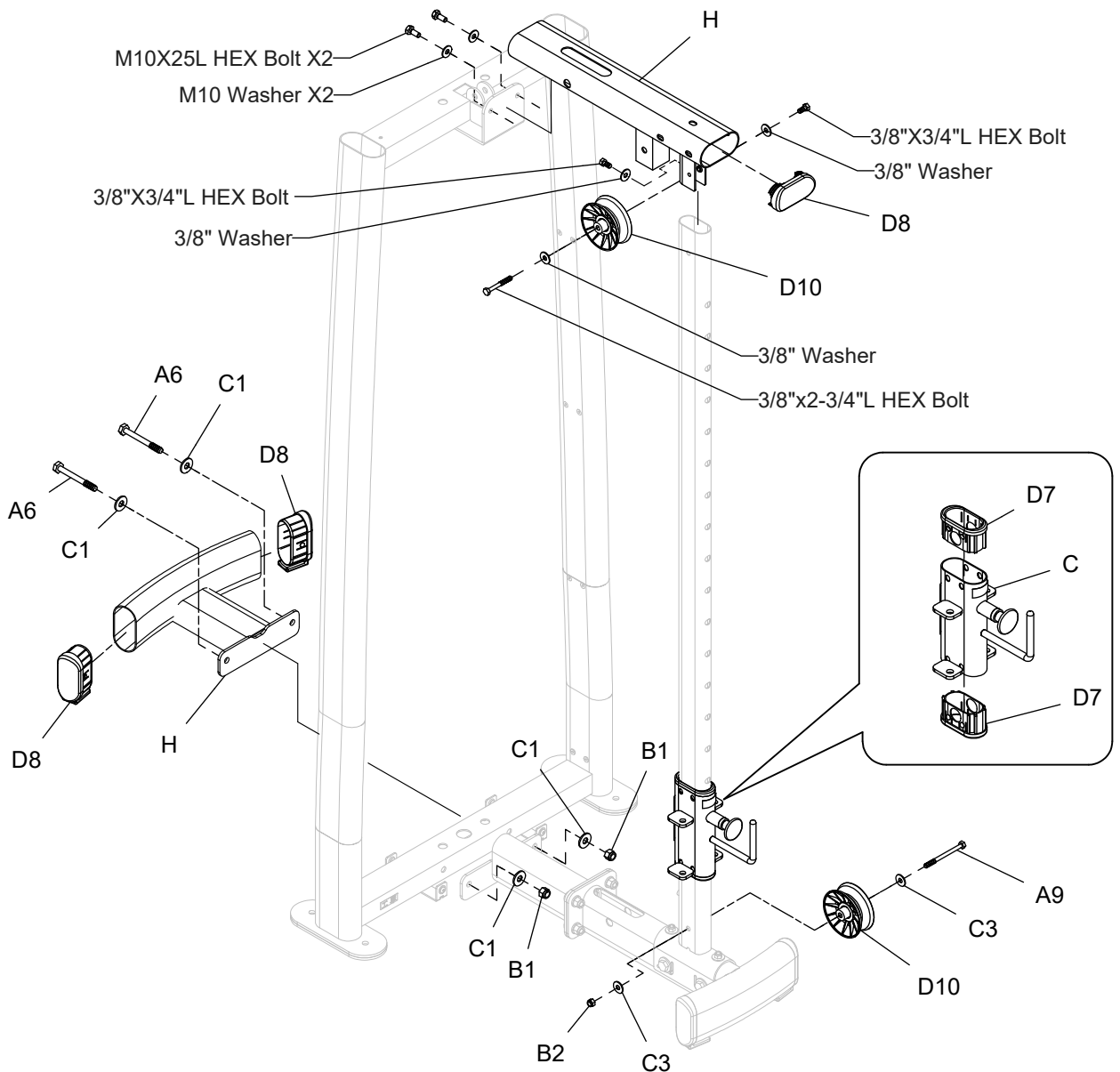
DPCC single weight stack assembly instructions



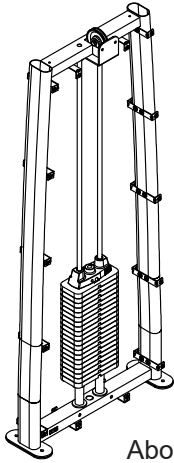
DPCC ASSEMBLY INSTRUCTIONS



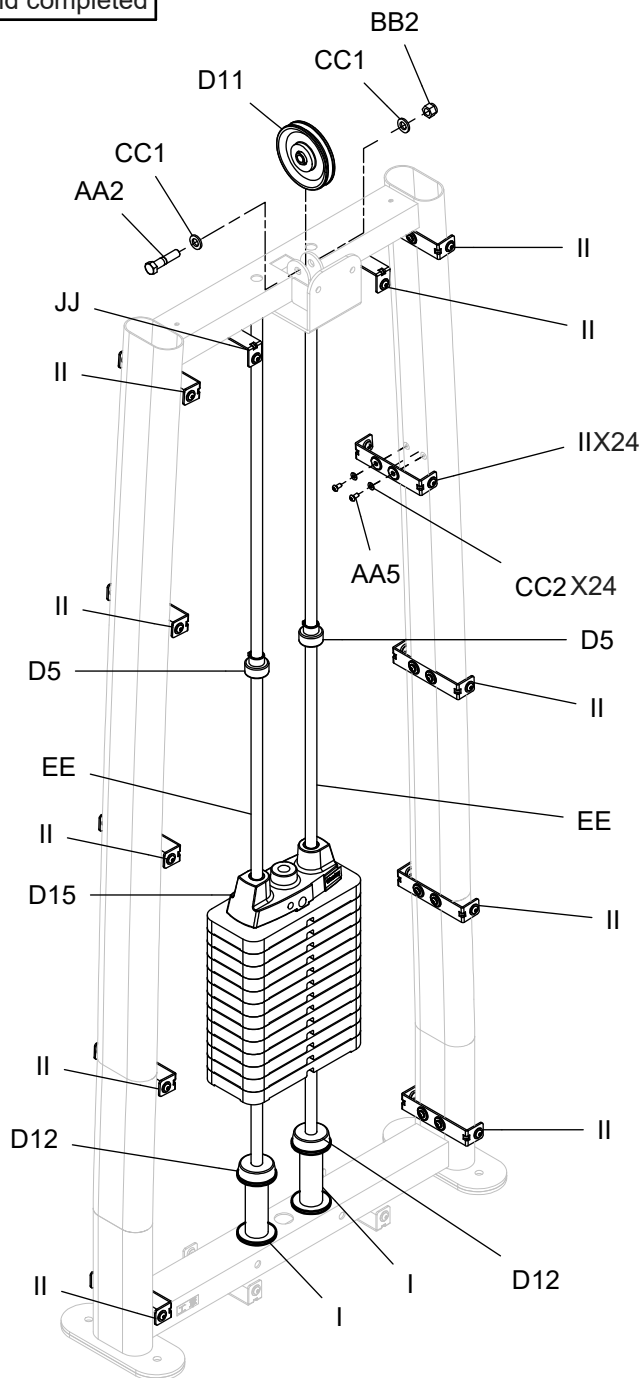
Above shows STEP 3
assembled and completed



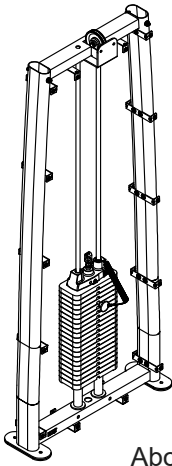
DPCC ASSEMBLY INSTRUCTIONS



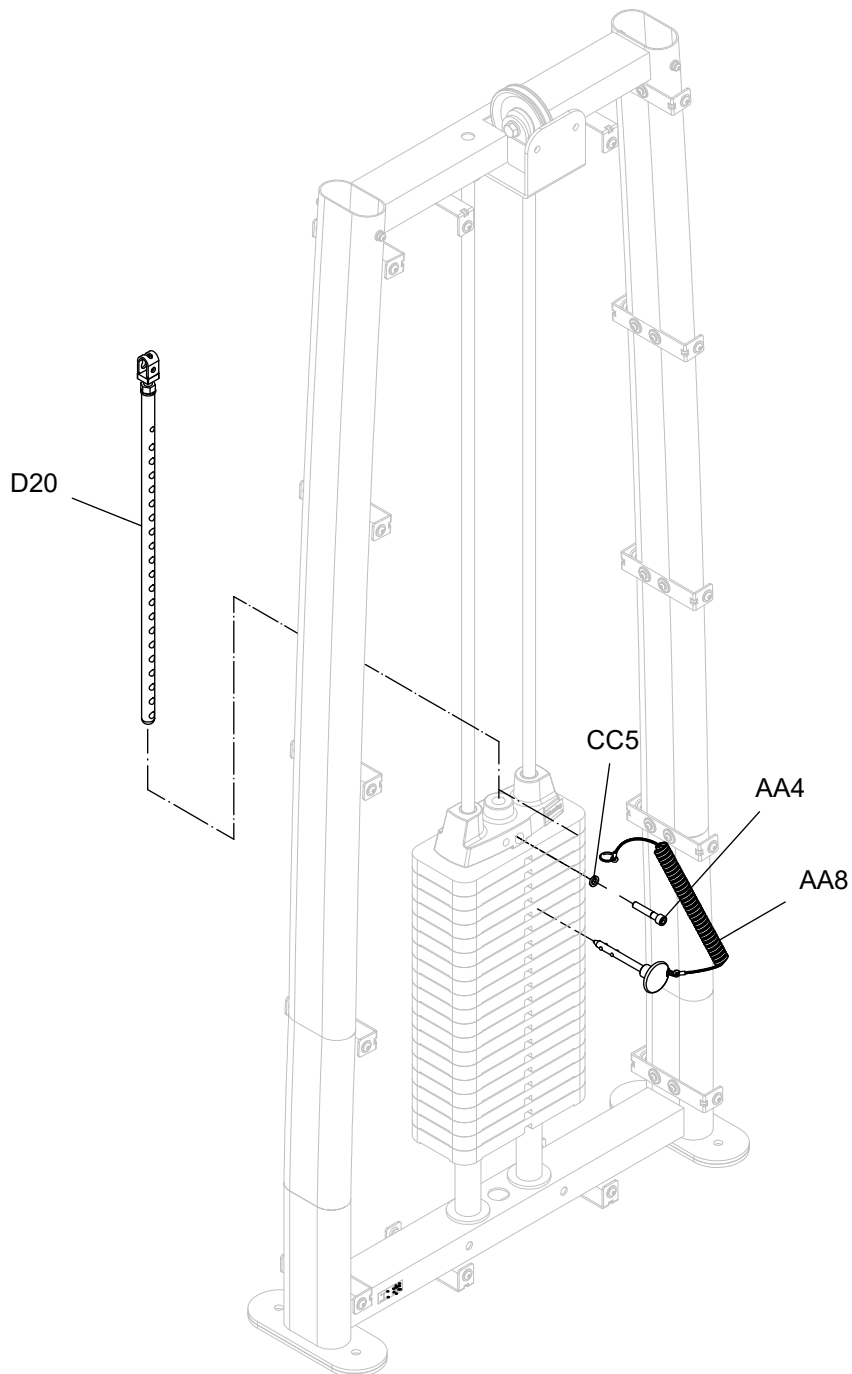
Above shows STEP 4
assembled and completed



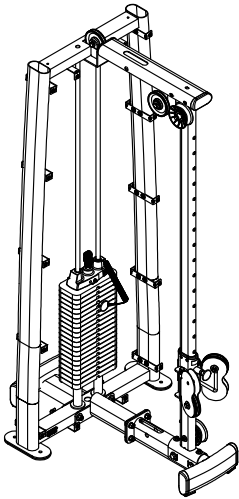
DPCC ASSEMBLY INSTRUCTIONS



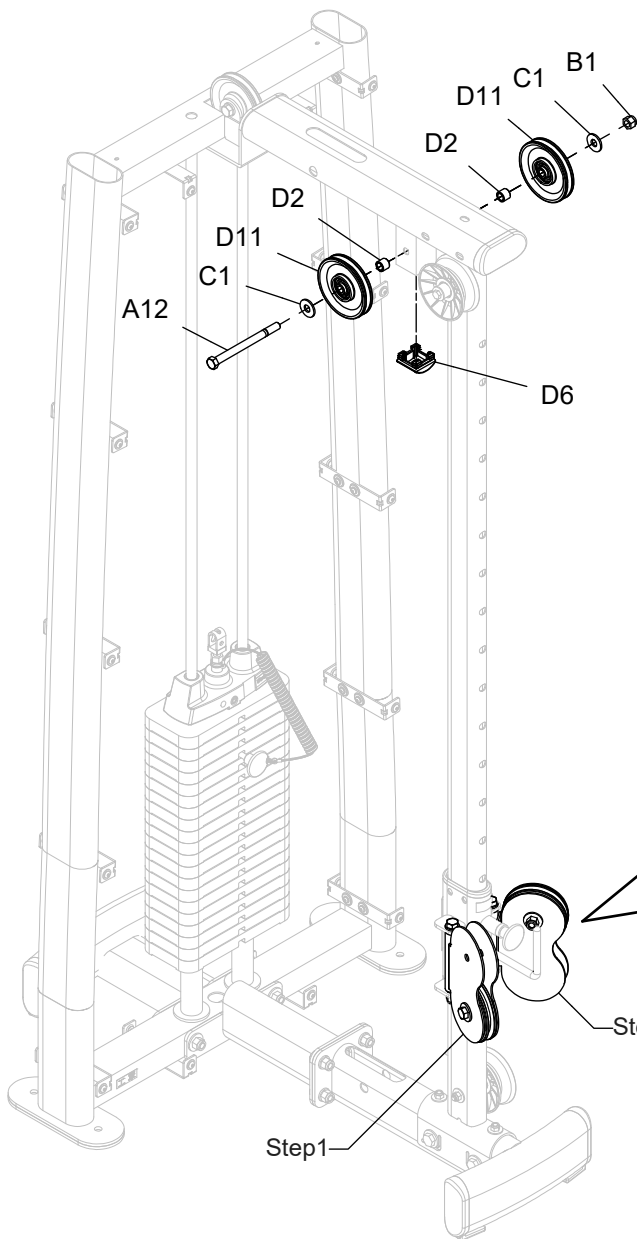
Above shows STEP 5
assembled and completed



DPCC ASSEMBLY INSTRUCTIONS

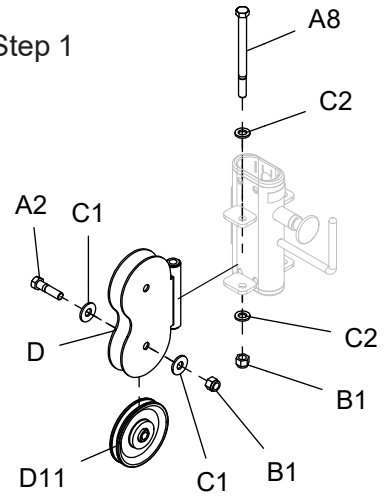


Above shows STEP 6 assembled and completed

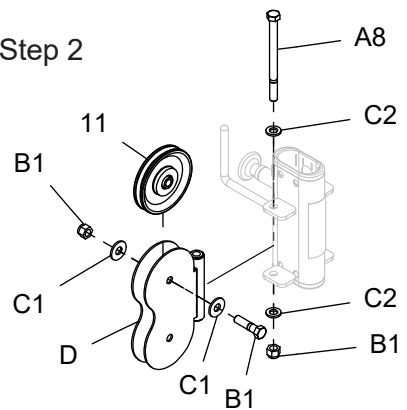


DETAIL VIEW

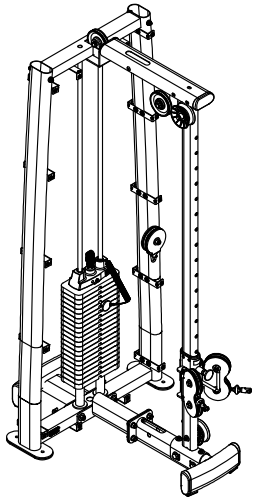
Step 1



Step 2

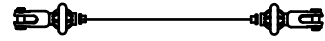


DPCC ASSEMBLY INSTRUCTIONS



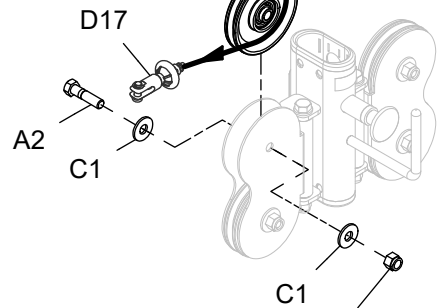
Above shows STEP 7
assembled and completed

D17.

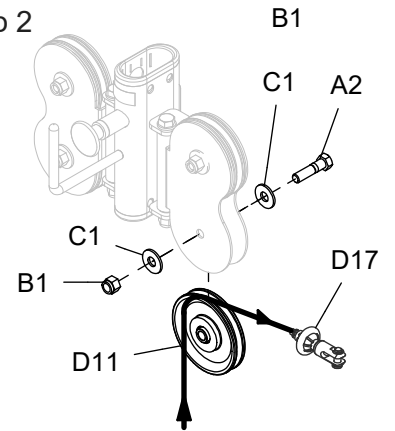


DETAIL VIEW

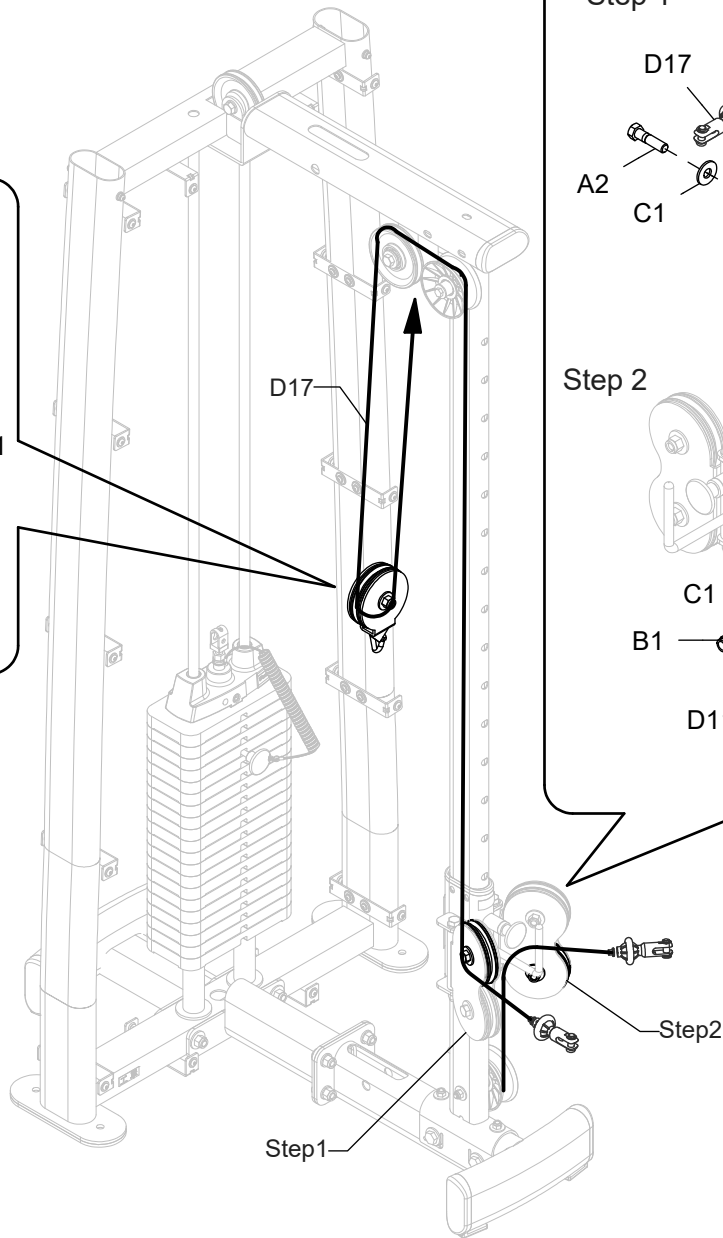
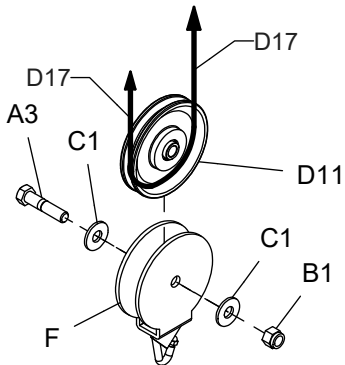
Step 1



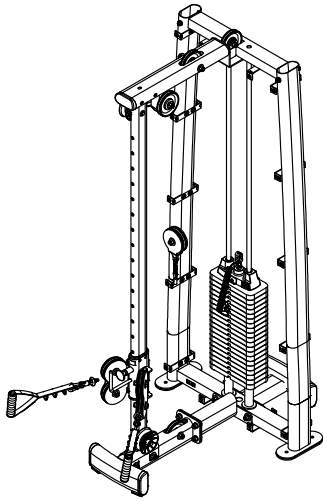
Step 2



DETAIL VIEW

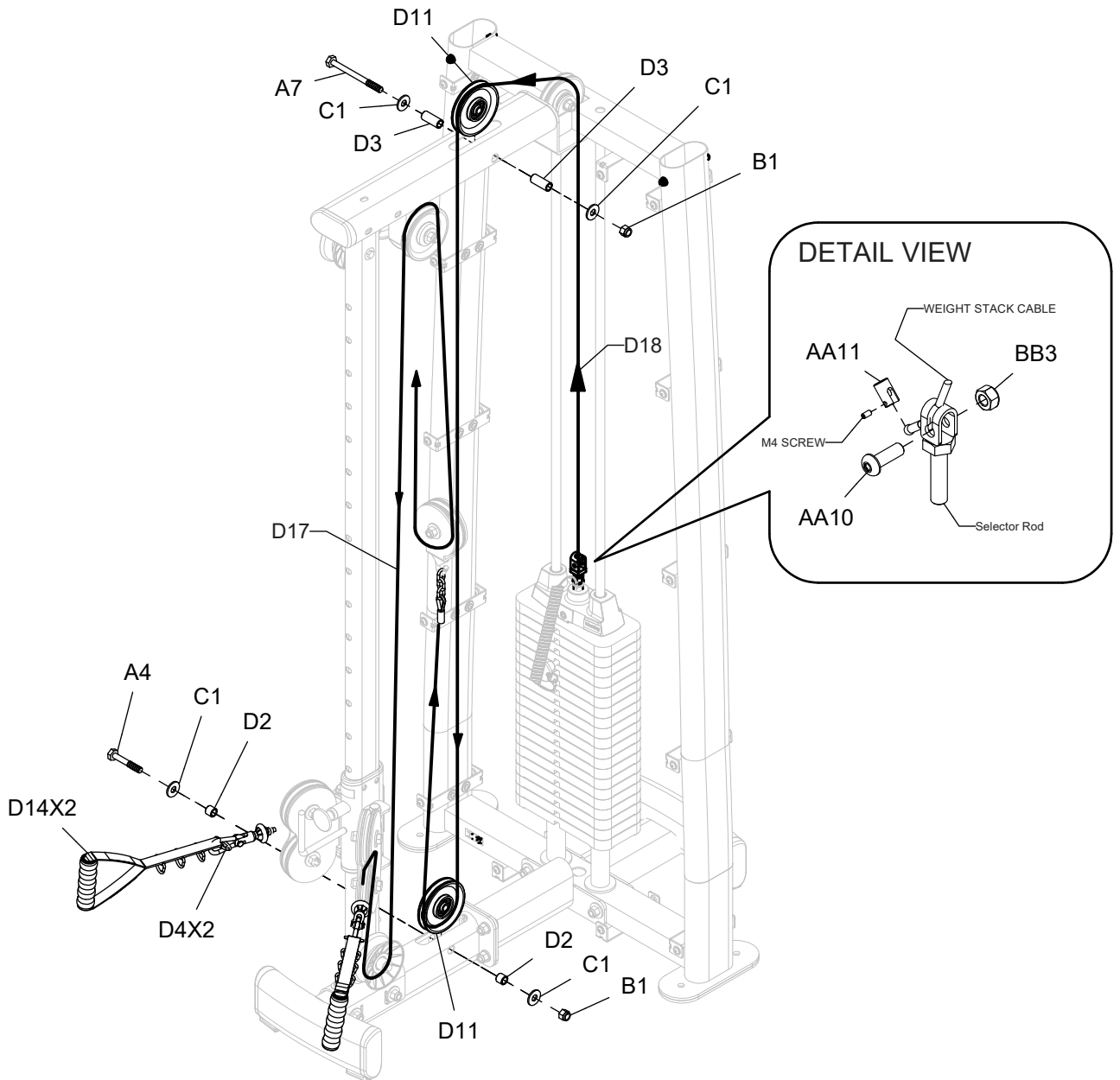
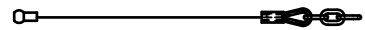


DPCC ASSEMBLY INSTRUCTIONS

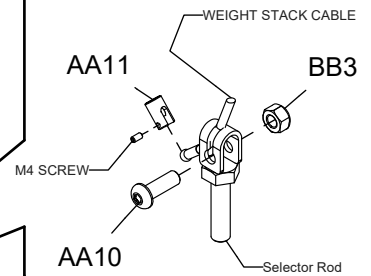


Above shows STEP 8
assembled and completed

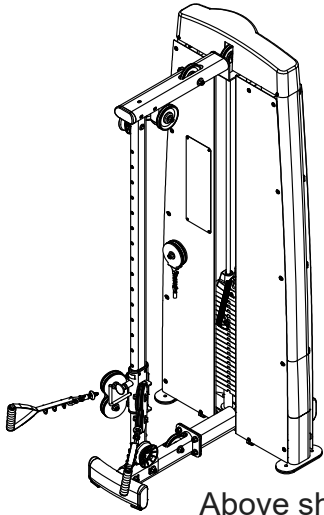
D18.



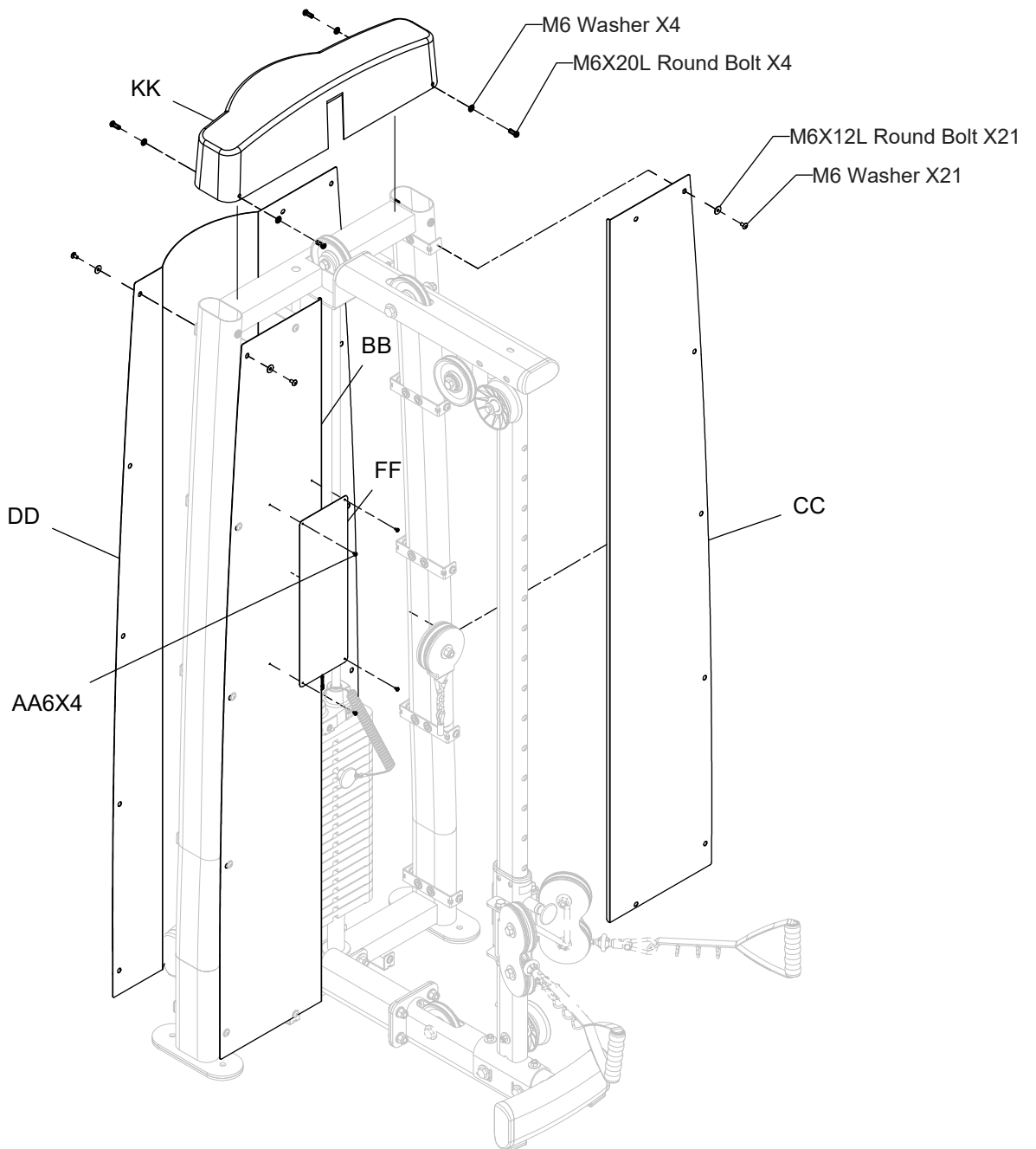
DETAIL VIEW



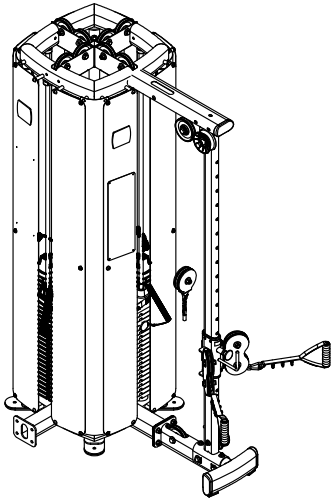
DPCC ASSEMBLY INSTRUCTIONS



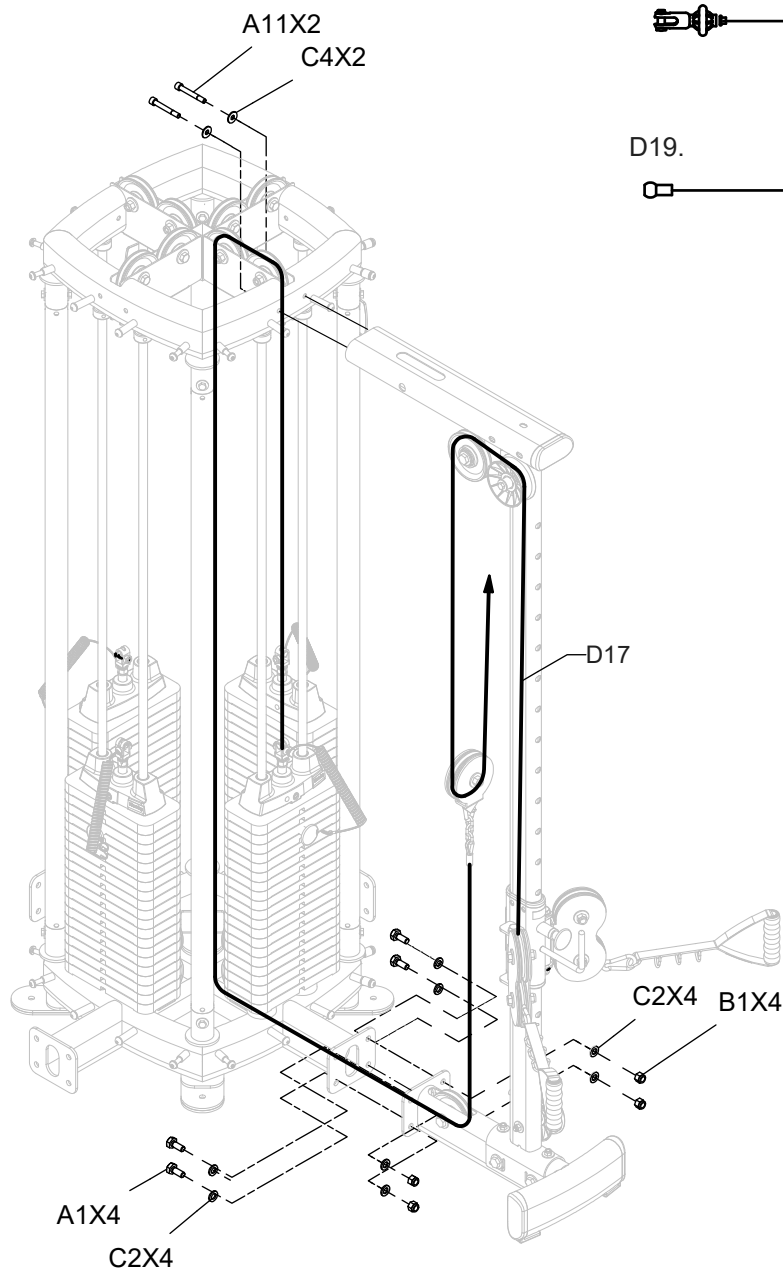
Above shows STEP 9
assembled and completed



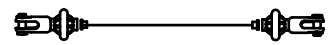
DPCC ASSEMBLY INSTRUCTIONS



Above shows STEP 10 assembled and completed



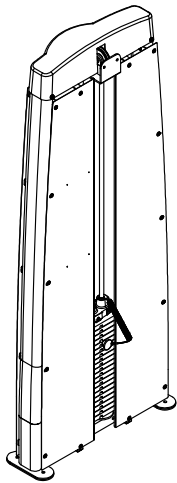
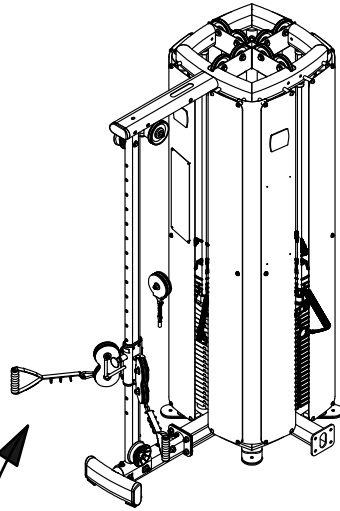
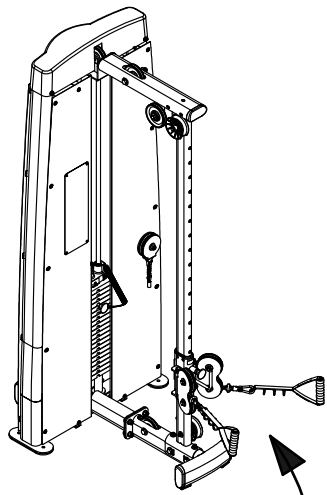
D17.



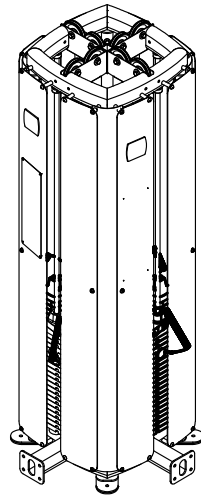
D19.



DPCC ASSEMBLY INSTRUCTIONS

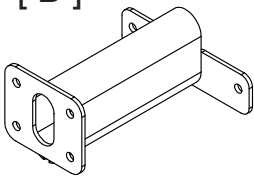


DFC

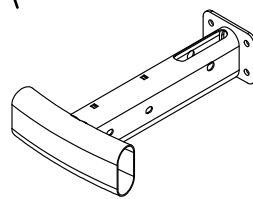


DGYM

[B]



[A]



DPCC

