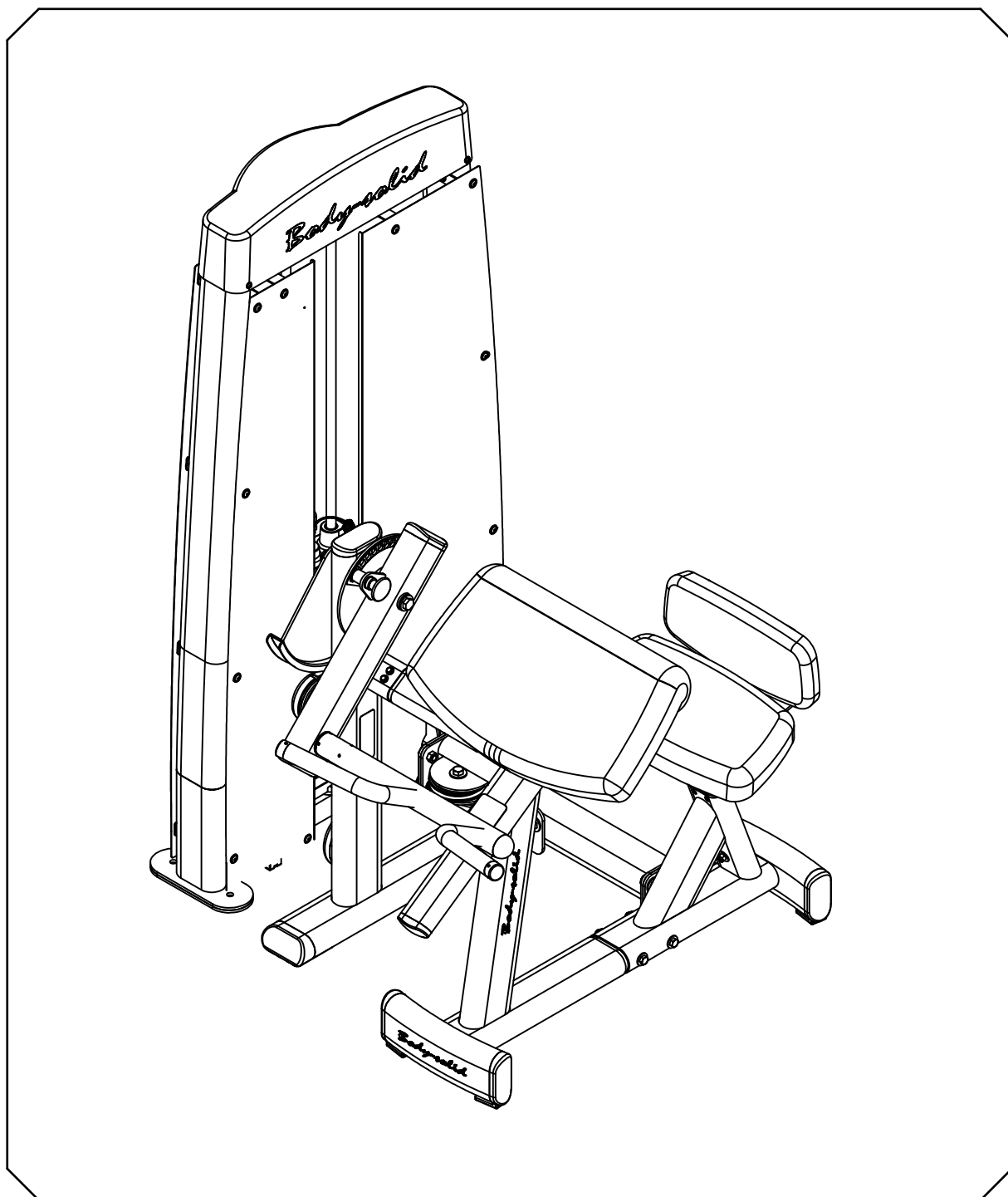


Body-Solid

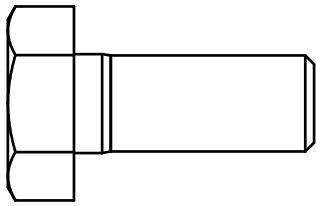


BODY-SOLID, Inc.
1900 S. Des Plaines Ave.
Forest Park, IL 60130 USA
Phone: (708) 427-3555
Fax: (708) 427-3556
www.bodysolid.com

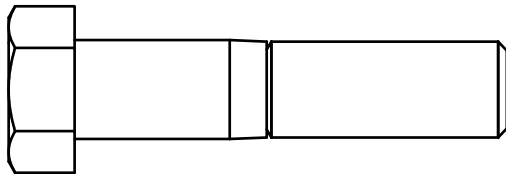
DBTC.4 OWNER'S MANUAL

DBTC ASSEMBLY INSTRUCTIONS

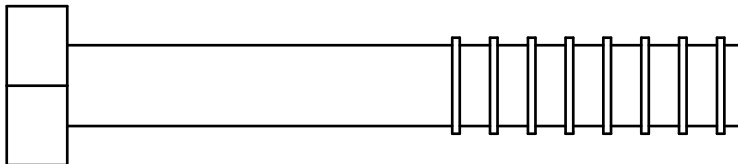
HARDWARW ILLUSTRATION



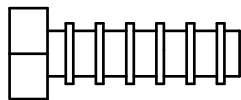
(A1)HEX BOLT 1/2"X1-1/4"L PARTIAL QTY.5



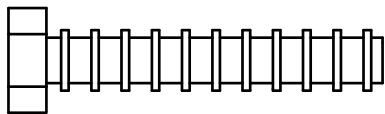
(A2)HEX BOLT 1/2"X2-1/4"L PARTIAL QTY.1



(A3)HEX BOLT 1/2"X3-1/2"L PARTIAL QTY.1



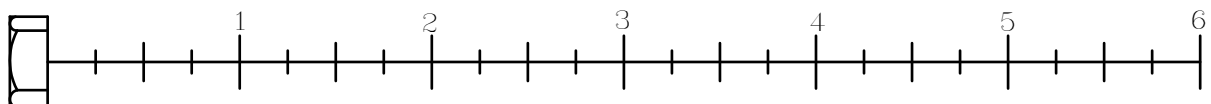
(A4)HEX BOLT 5/16"X1"L PARTIAL QTY.12



(A5)HEX BOLT 5/16"X1-3/4"L PARTIAL QTY.1

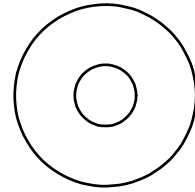
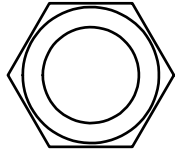
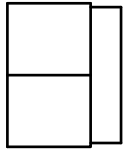


(A6)STEEL BUSHING \varnothing 1/2"X \varnothing 8.5X21L QTY.1



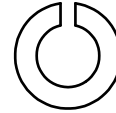
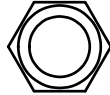
DBTC ASSEMBLY INSTRUCTIONS

HARDWARW ILLUSTRATION



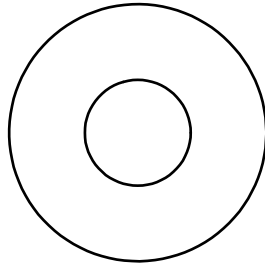
(B1) NYLON LOCK NUT 1/2" QTY.7

(C4) 5/16" (I.D.) FLAT WASHER \varnothing 24 QTY.12

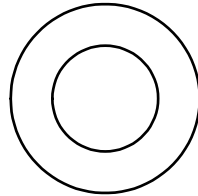


(B2) NYLON LOCK NUT 5/16" QTY.1

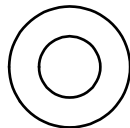
(C5) SPRING WASHER 5/16" QTY.12



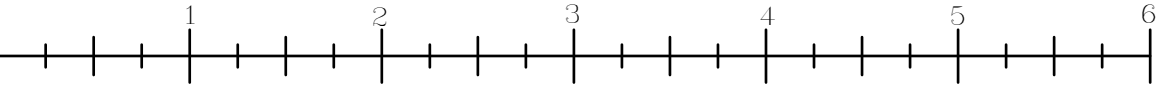
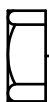
(C1) 1/2" (I.D.) FLAT WASHER \varnothing 34 QTY.8



(C2) 1/2" (I.D.) FLAT WASHER \varnothing 25 QTY.6

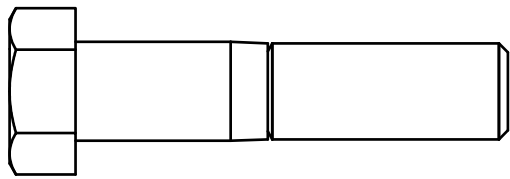


(C3) 5/16" (I.D.) FLAT WASHER \varnothing 16 QTY.2

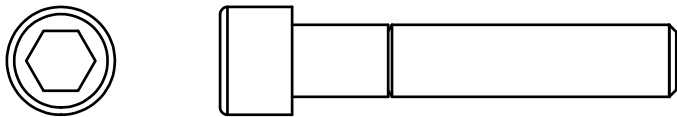


DBTC ASSEMBLY INSTRUCTIONS

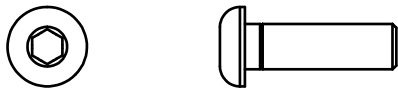
HARDWARW ILLUSTRATION



(AA2)HEX BOLT 1/2"X2-1/4"L PARTIAL QTY.3



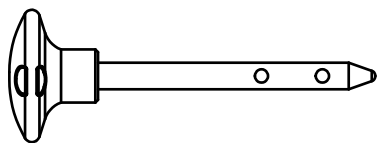
(AA4)ROUND INNER HEAD 3/8"X2"L PARTIAL QTY.1



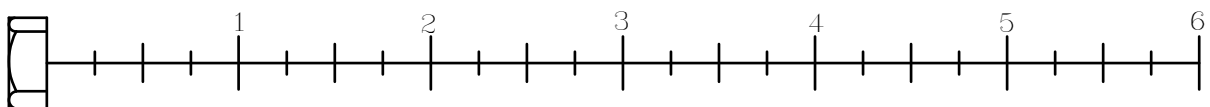
(AA5)ROUND INNER HEX SCREW M6X20L PARTIAL QTY.20



(AA6)ROUND CROSS SCREW 5/32"X1/4"L PARTIAL QTY.4

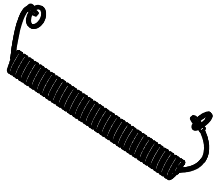


(AA7)10LB PIN(8250-071) QTY.1

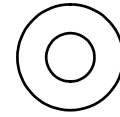


DBTC ASSEMBLY INSTRUCTIONS

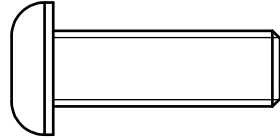
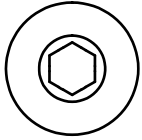
HARDWARW ILLUSTRATION



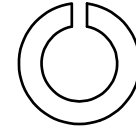
(AA8)ELASTIC BOLT QTY.1



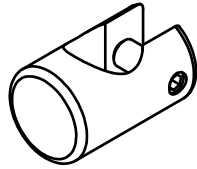
(CC2)M6(I.D.)FLAT WASHER Ø13 QTY.20



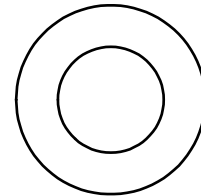
(AA10)ROUND INNER HEX SCREW
M10X30L PARTIAL QTY.1



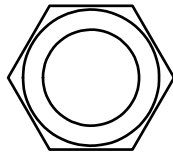
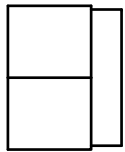
(CC5)SPRING WASHER 3/8" QTY.1



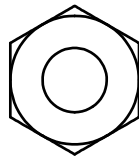
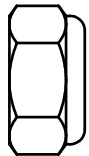
(AA11)FIRM SHEATH(8890-046) QTY.1



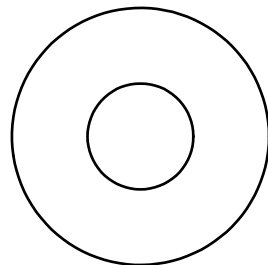
(CC6)1/2"(I.D.)FLAT WASHER Ø25 QTY.2



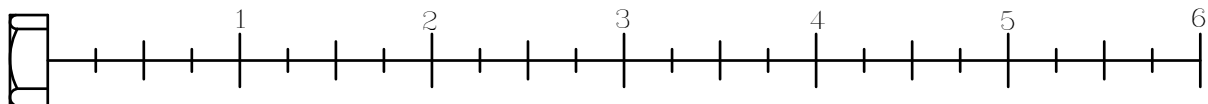
(BB2)NYLON LOCK NUT1/2" QTY.3



(BB3)NYLON LOCK NUT M10 QTY.1



(CC1)1/2"(I.D.)FLAT WASHER Ø34 QTY.4



DBTC ASSEMBLY INSTRUCTIONS

HARDWARW ILLUSTRATION

D1



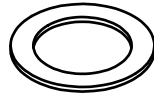
D2



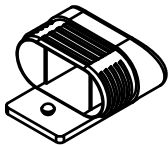
D3



D4



D5

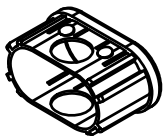


D6



- (D1) $\phi 3/4$ "X13.5X8L STEEL BUSHING(8110-014)-----[2PCS]
 (D2) $\phi 38$ "X $\phi 25.2$ X27L STEEL BUSHING(8130-159)-----[1PCS]
 (D3) $\phi 30$ "X $\phi 20$ X1.5t CU WASHER(8520-007) -----[1PCS]
 (D4) $\phi 38$ "X $\phi 26$ X1.5t CU WASHER(8520-008) -----[1PCS]
 (D5) 58X116X2.5t FOOT CAP(9211-109) -----[1PCS]
 (D6) $\phi 50$ ROUND END CAP(9211-074) -----[1PCS]
 (D7) 50X100 NYLON BUSHING(9211-107)-----[2PCS]
 (D8) 58X116X2.5t FOOT CAP(9211-108) -----[4PCS]
 (D9) 58X116X2.5t END CAP(9211-112) -----[3PCS]
 (D10) 40X80X2t END CAP(9211-113)-----[2PCS]
 (D11) $\phi 4$ " PULLEY(9213-017A) -----[2PCS]
 (D12) $\phi 4$ " 1/2" PULLEY(9213-010B) -----[5PCS]
 (D13) 207X105X25 END CAP(9211-115)-----[1PCS]
 (D14) $\phi 131$ X30 END CAP(9211-116) -----[1PCS]
 (D15) 3620mm STEEL CABLE(FDBTCA) -----[1PCS]
 (D16) $\phi 3/4$ " SHAFT COLLAR(9211-046) -----[2PCS]
 (D17) $\phi 4$ " RUBBER DOUNT(9310-017) -----[2PCS]
 (D18) TOP PLATE(8400-006) -----[1PCS]
 (D20) 95X250 RUBBER PAD(9310-060)-----[2PCS]
 (D21) DBTC FOR DGYM STEEL CABLE(FDBTCB)-----[1PCS]
 (D22) WEIGHT SELECTOR BAR(8210-042B) -----[1PCS]

D7



D8



D9



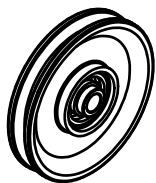
D10



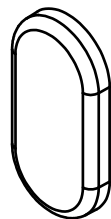
D11



D12



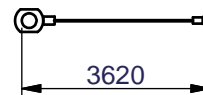
D13



D14



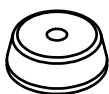
D15



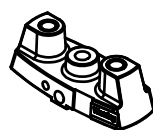
D16



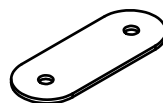
D17



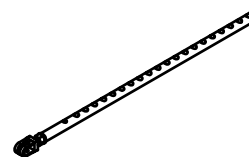
D18



D20



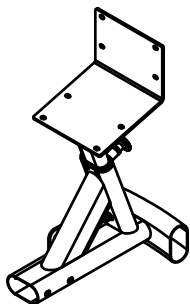
D22



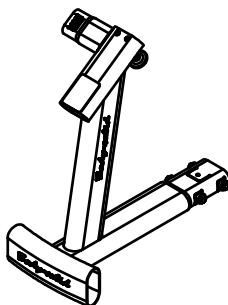
DBTC ASSEMBLY INSTRUCTIONS

PARTS ILLUSTRATION

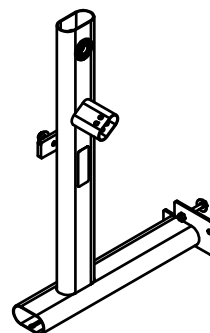
A2 [1PCS]



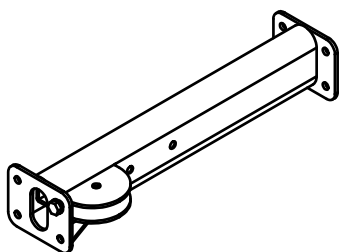
B [1PCS]



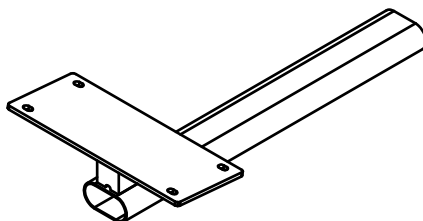
C [1PCS]



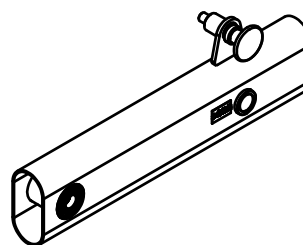
D [1PCS]



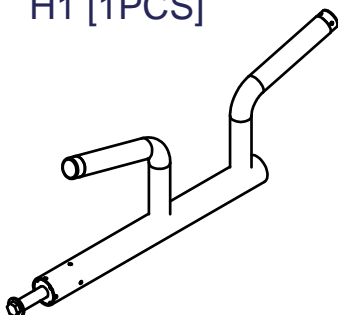
F2 [1PCS]



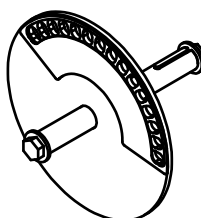
G1 [1PCS]



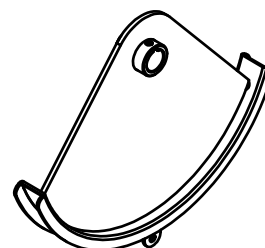
H1 [1PCS]



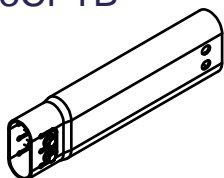
I [1PCS]



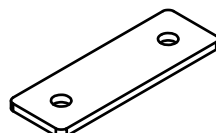
J [1PCS]



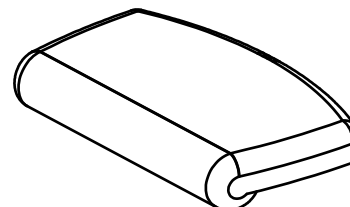
K [1PCS]
13CPTB



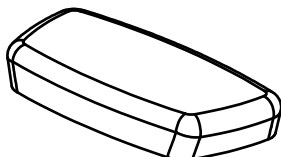
L [1PCS]
8312-062



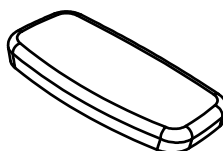
M [1PCS]
9132-019



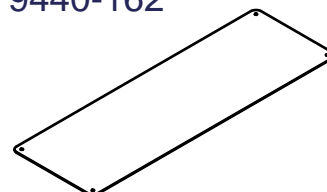
N [1PCS]
9122-038



O [1PCS]
9111-060



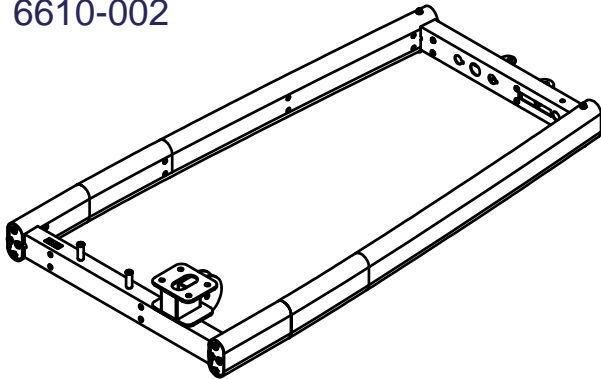
P [1PCS]
9440-162



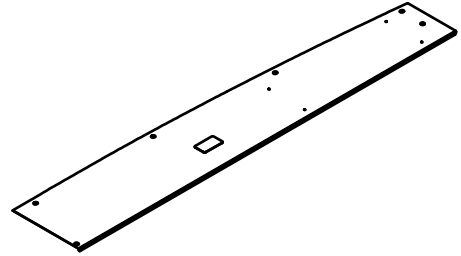
DBTC ASSEMBLY INSTRUCTIONS

PARTS ILLUSTRATION

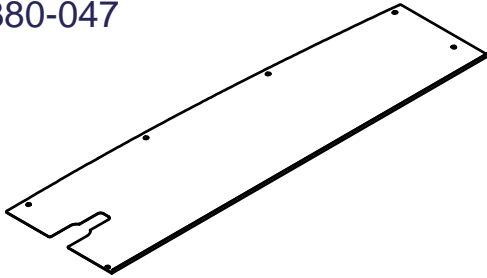
AA[1PCS]
6610-002



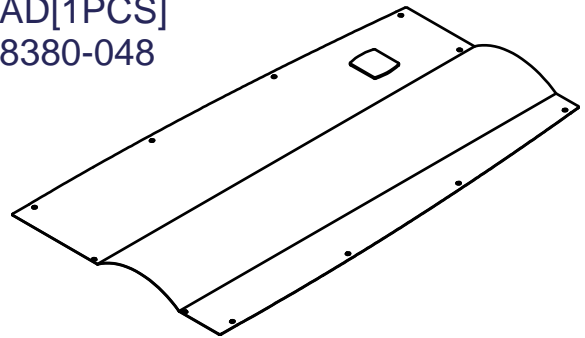
AB[1PCS]
8380-046



AC[1PCS]
8380-047



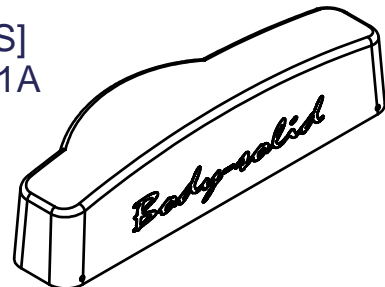
AD[1PCS]
8380-048



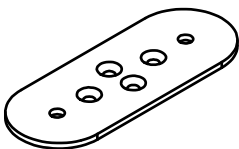
AE[2PCS]
260158A $\varnothing 3/4$ "X1.6tX1407L



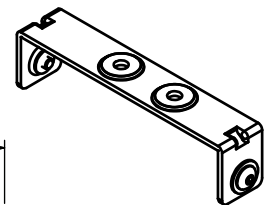
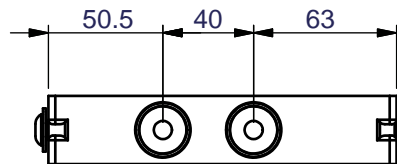
AK[1PCS]
9211-111A



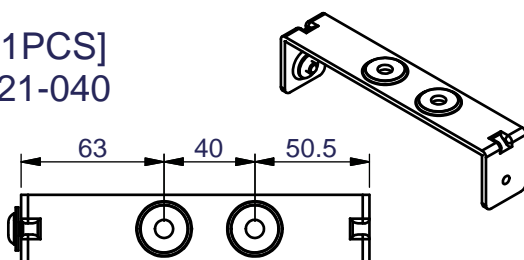
AG[2PCS]
8313-144



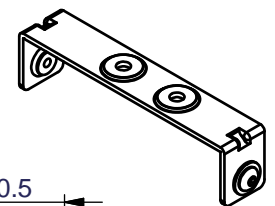
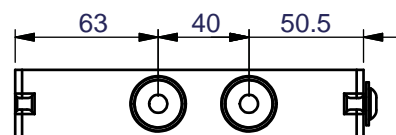
AH[9PCS]
8321-040



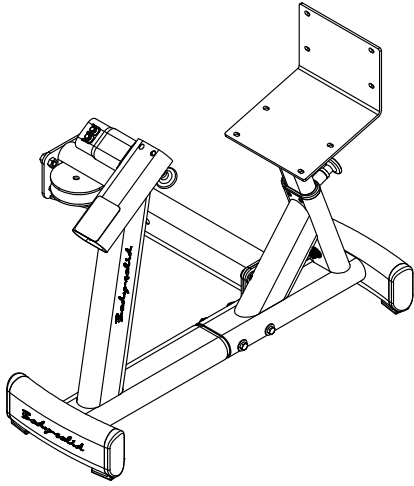
AI[1PCS]
8321-040



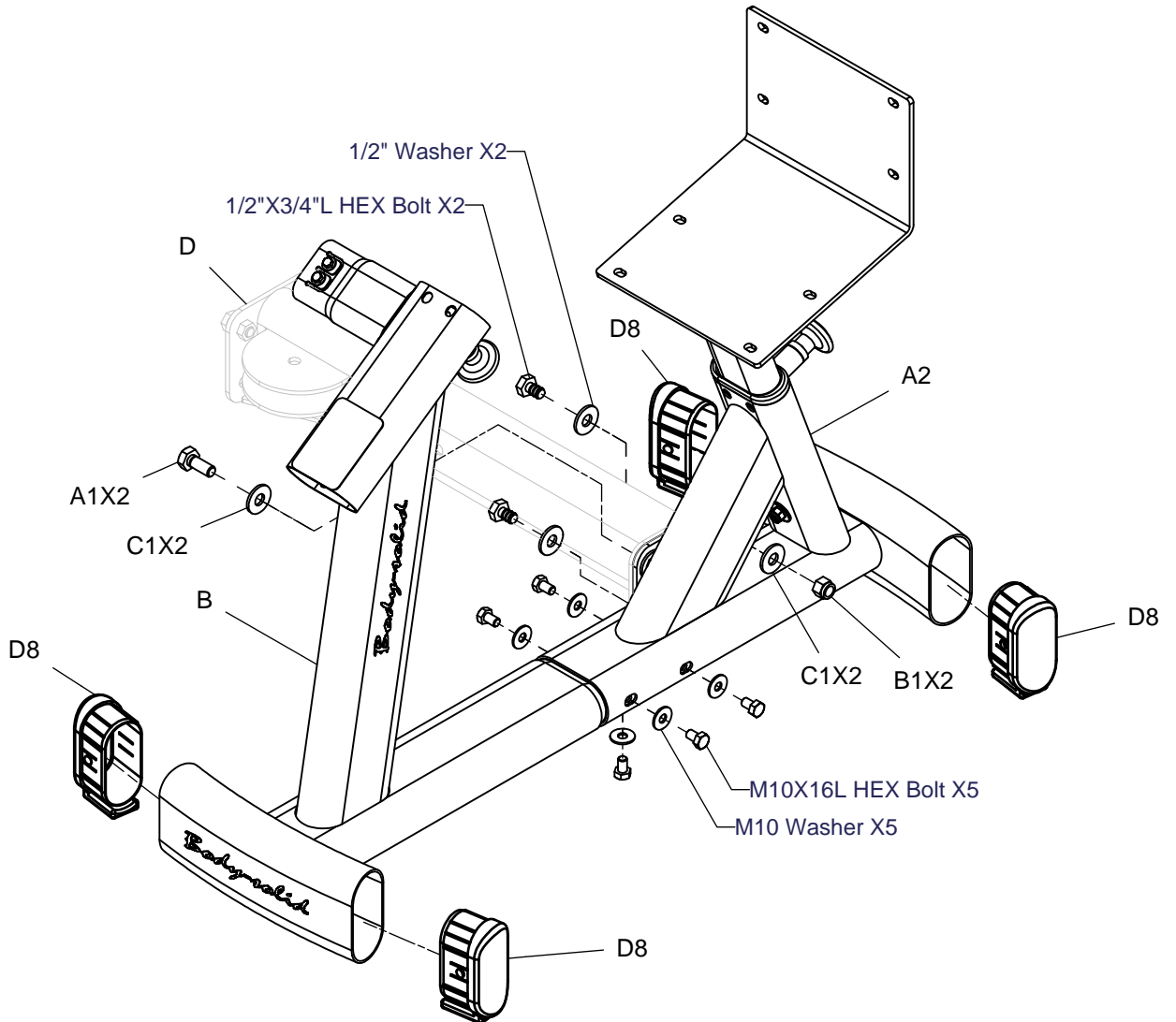
AJ[2PCS]
8321-040



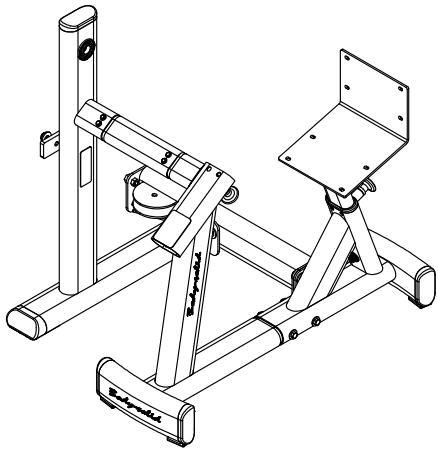
DBTC ASSEMBLY INSTRUCTIONS



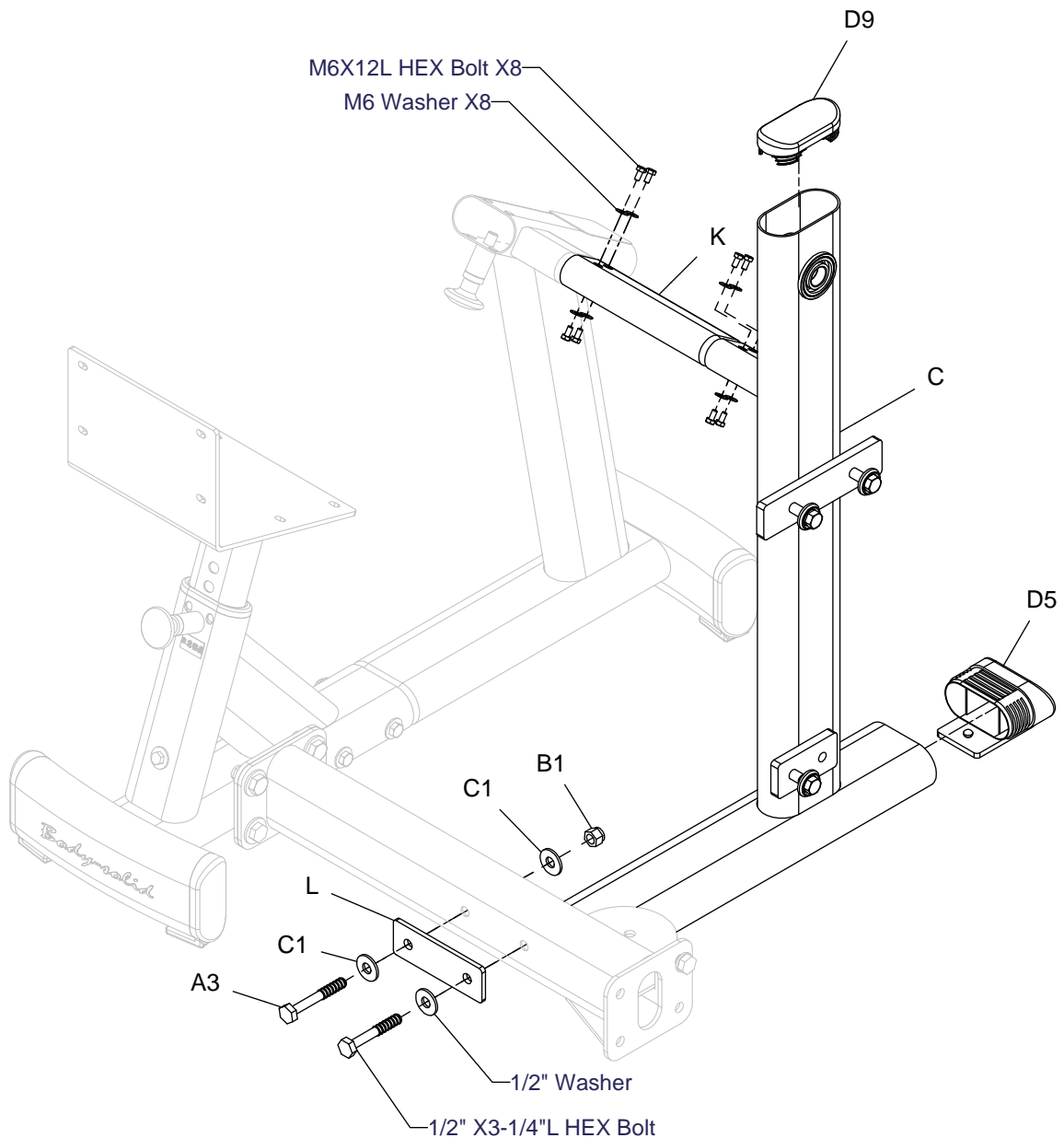
Above shows STEP 1
assembled and completed



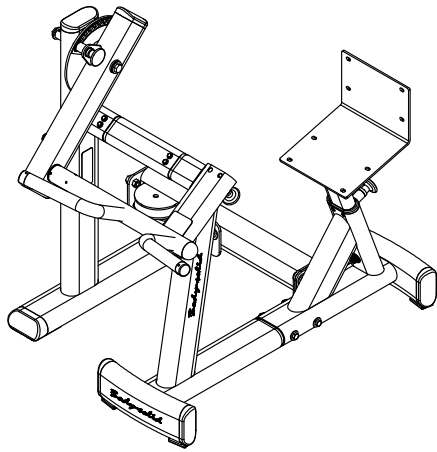
DBTC ASSEMBLY INSTRUCTIONS



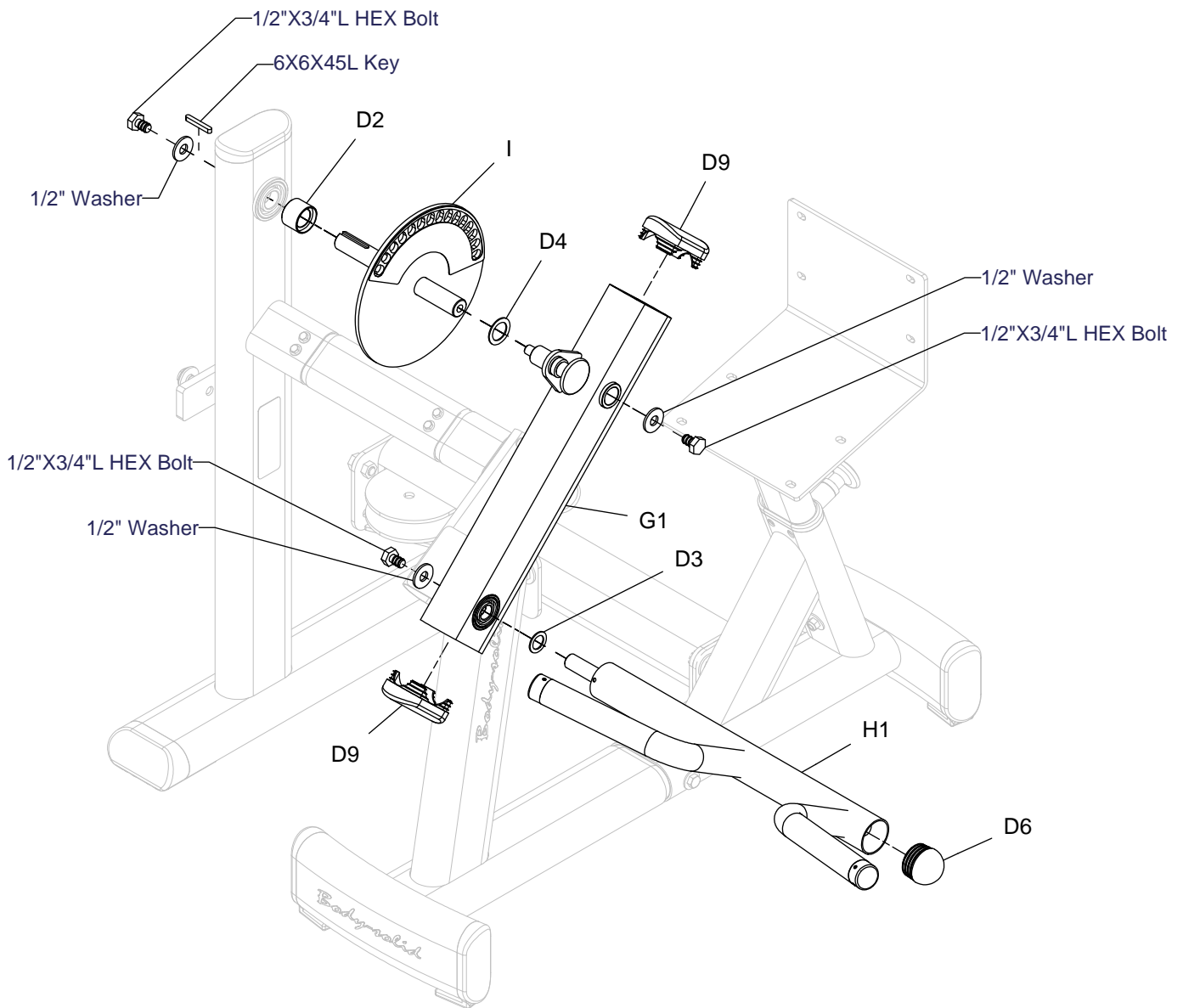
Above shows STEP2 assembled and completed



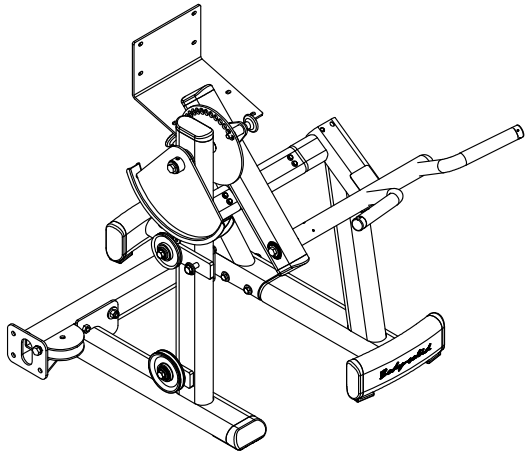
DBTC ASSEMBLY INSTRUCTIONS



Above shows STEP 3 assembled and completed

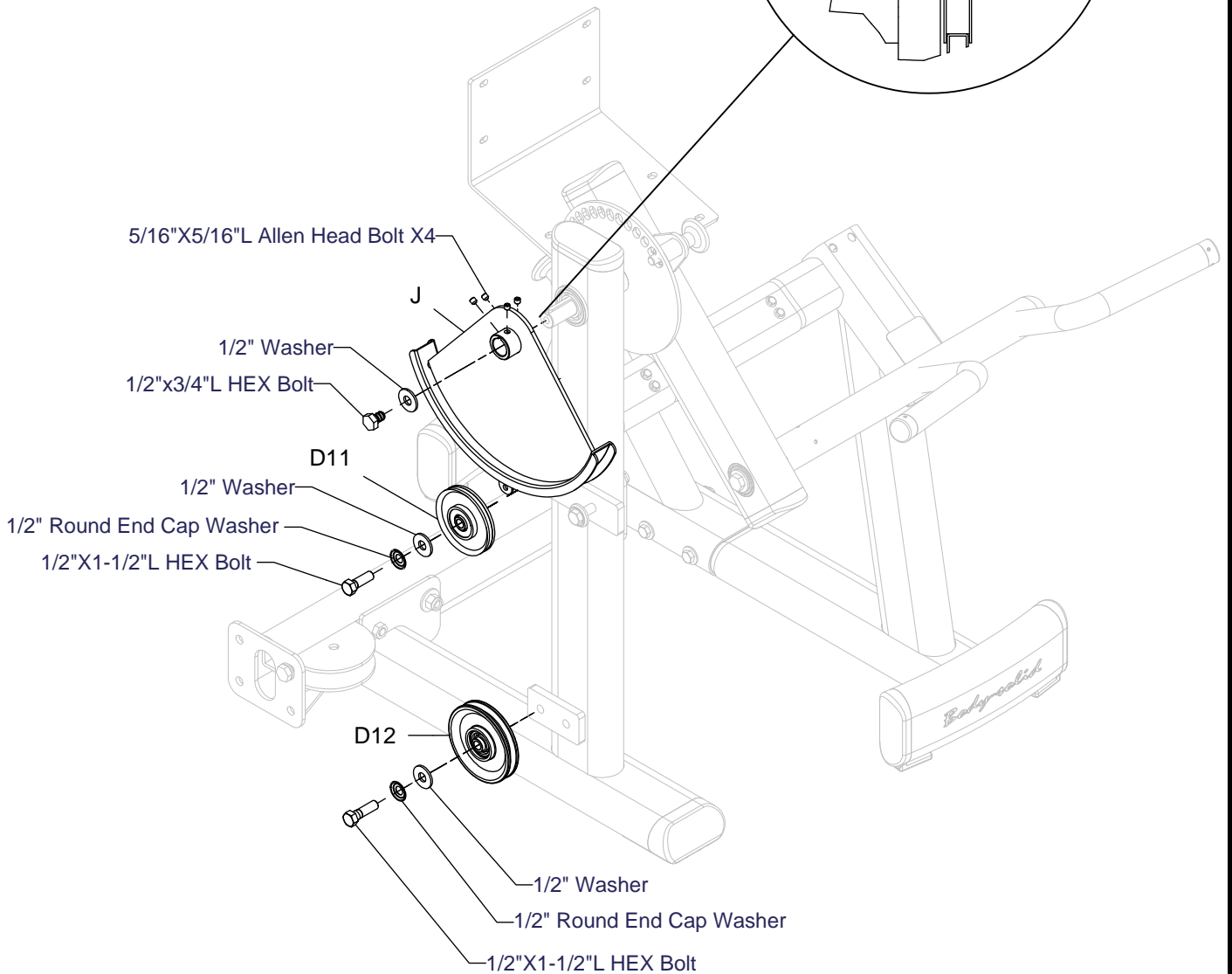
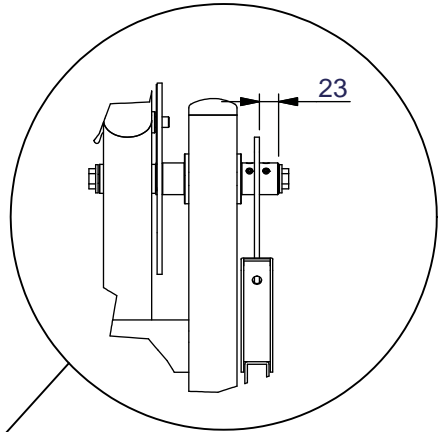


DBTC ASSEMBLY INSTRUCTIONS

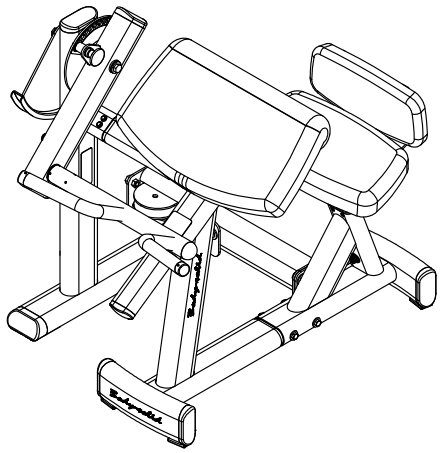


Above shows STEP 4 assembled and completed

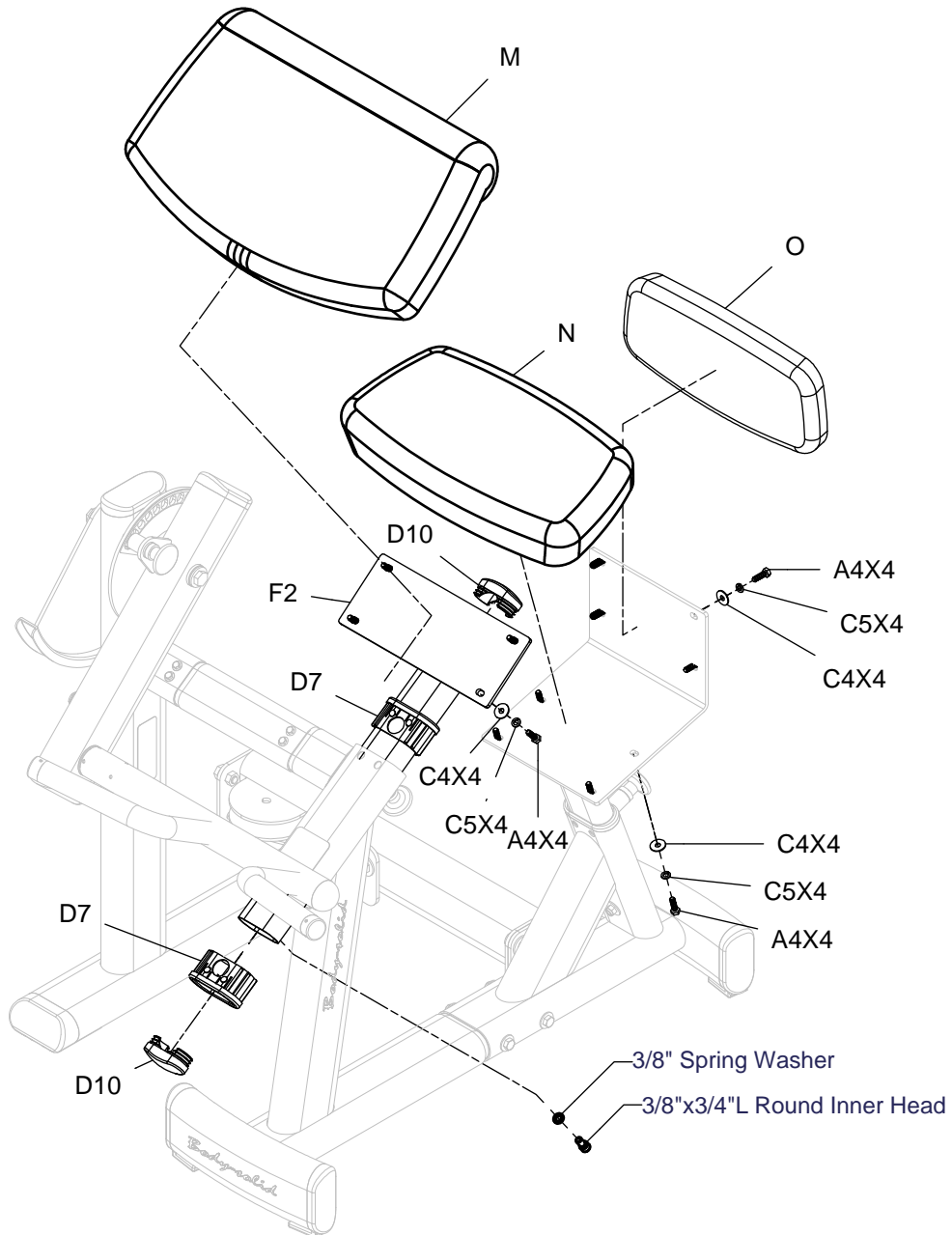
Detail View



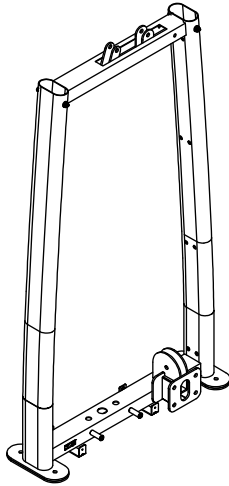
DBTC ASSEMBLY INSTRUCTIONS



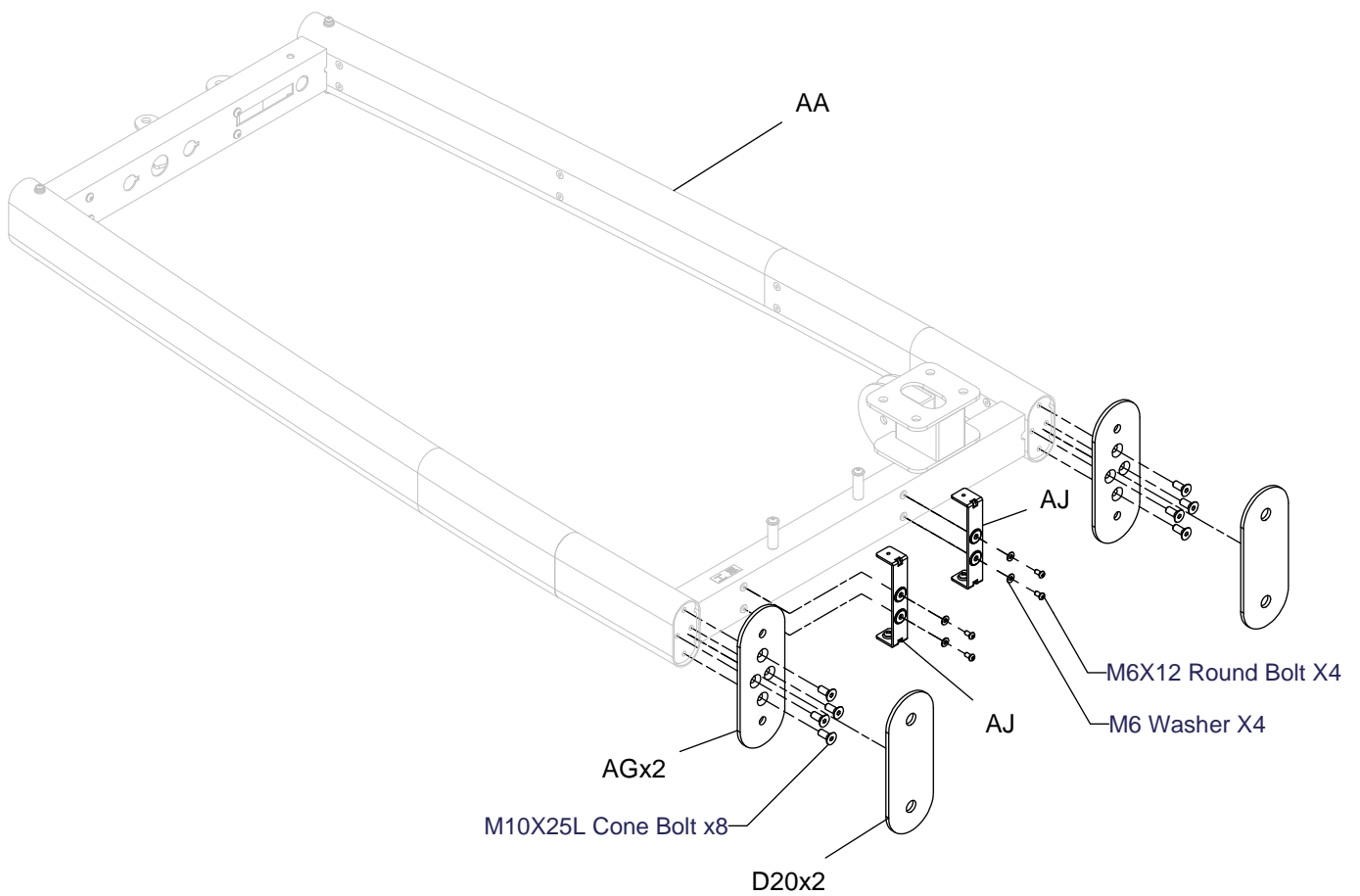
Above shows STEP 5
assembled and completed



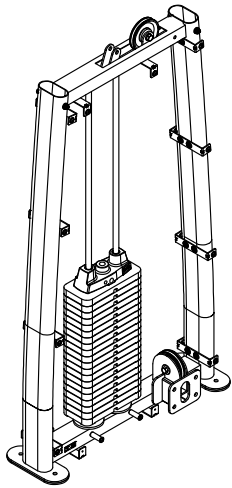
DBTC ASSEMBLY INSTRUCTIONS



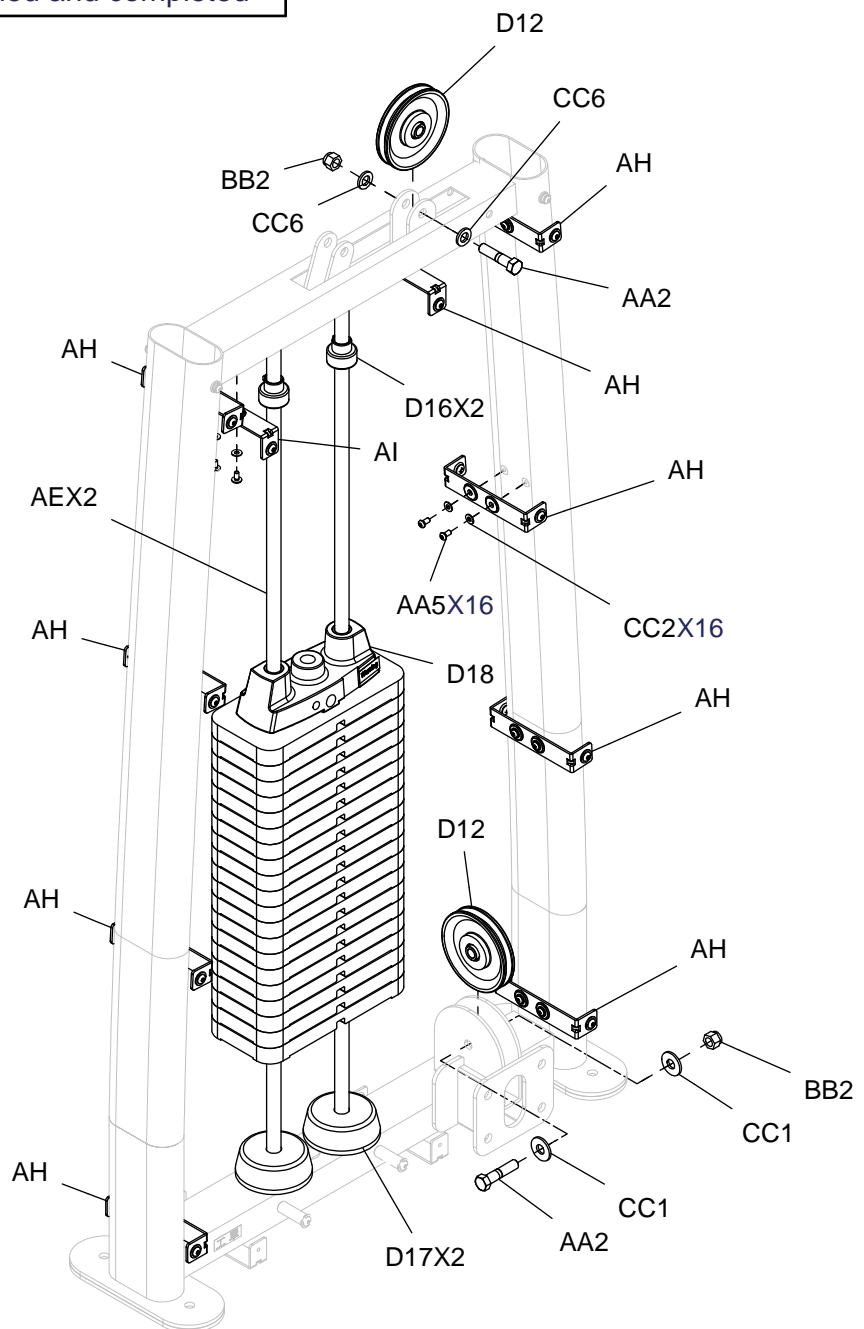
Above shows STEP 6
assembled and completed



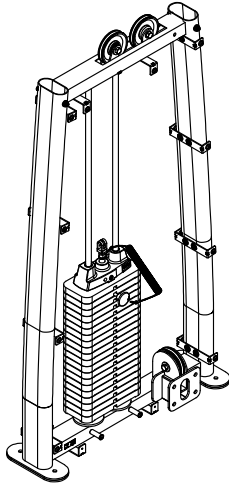
DBTC ASSEMBLY INSTRUCTIONS



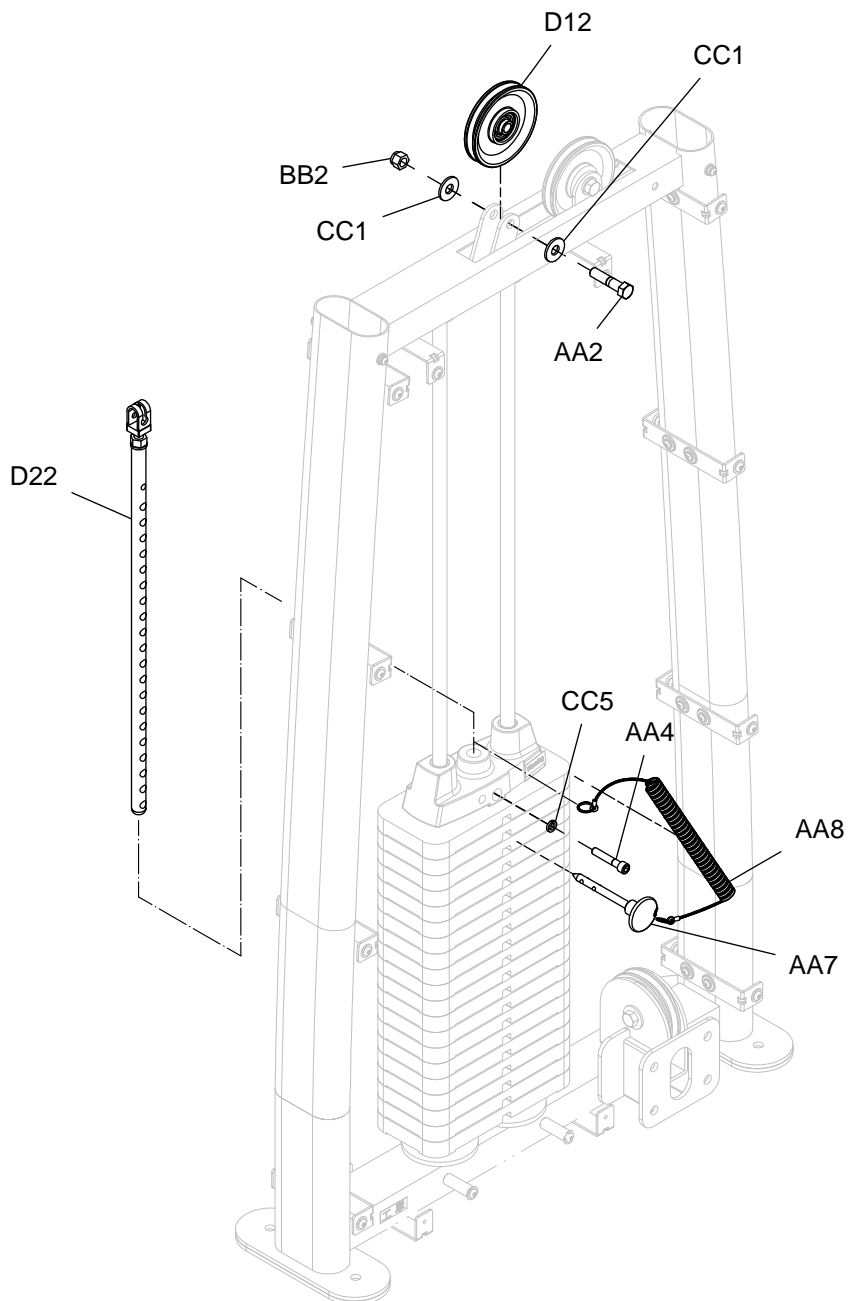
Above shows STEP 7
assembled and completed



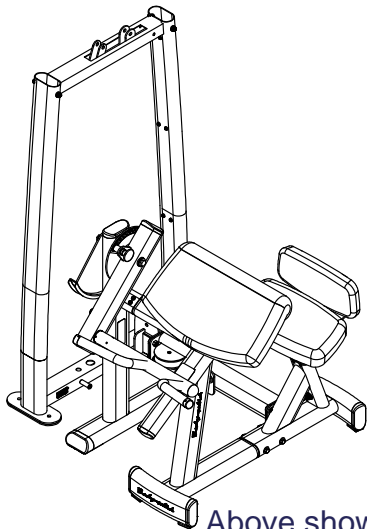
DBTC ASSEMBLY INSTRUCTIONS



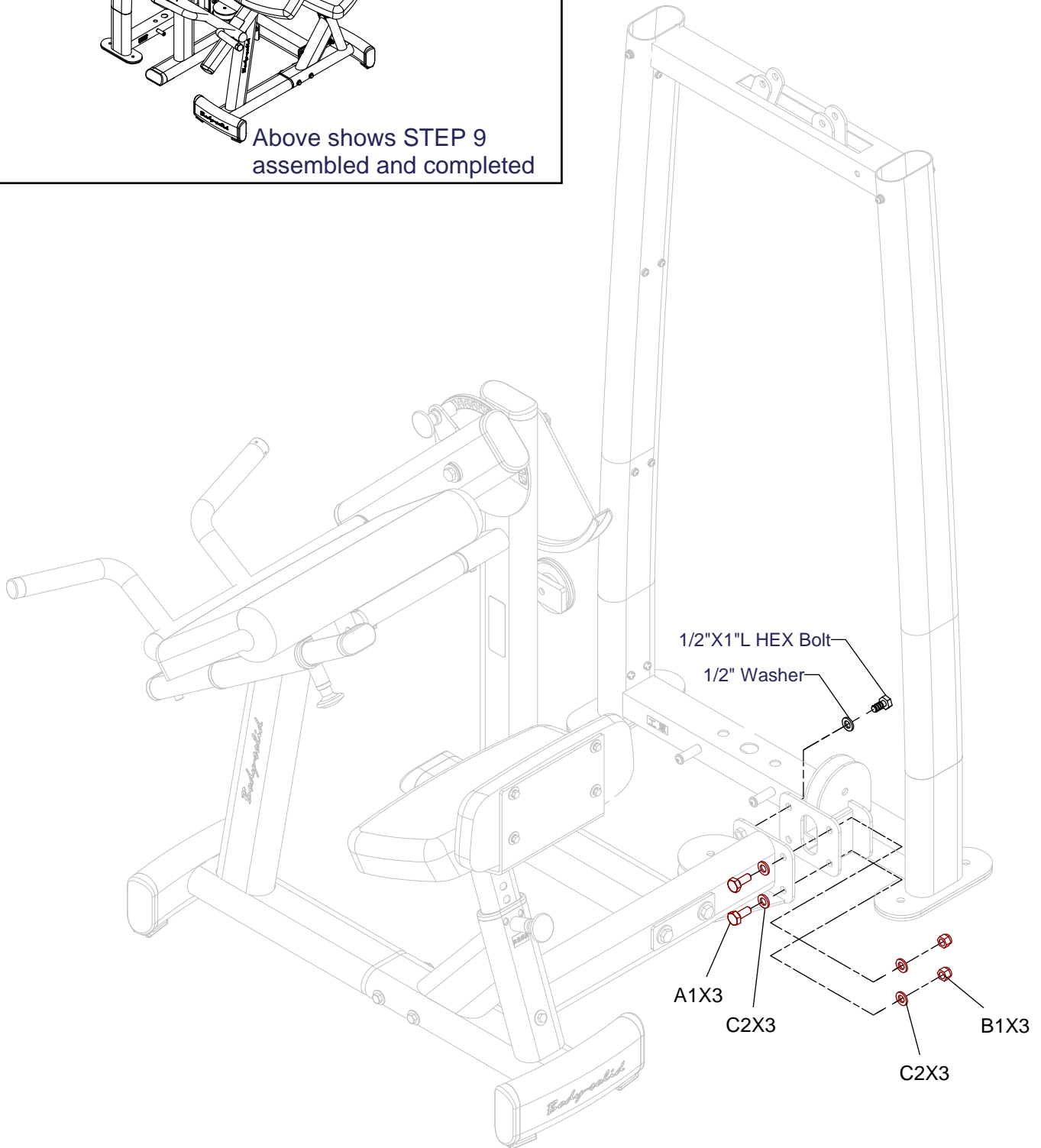
Above shows STEP 8
assembled and completed



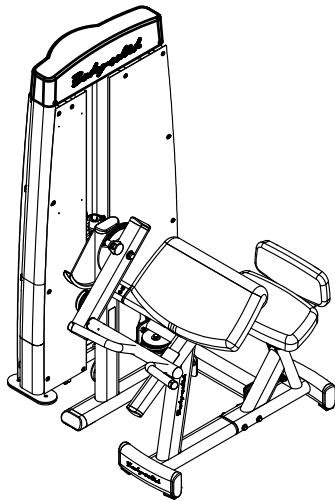
DBTC ASSEMBLY INSTRUCTIONS



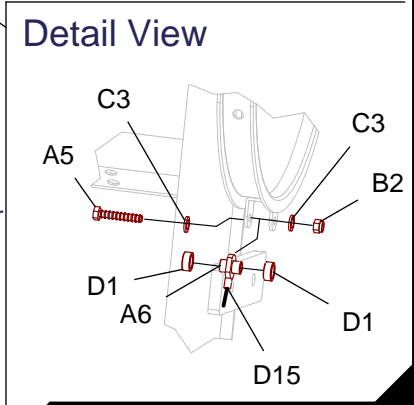
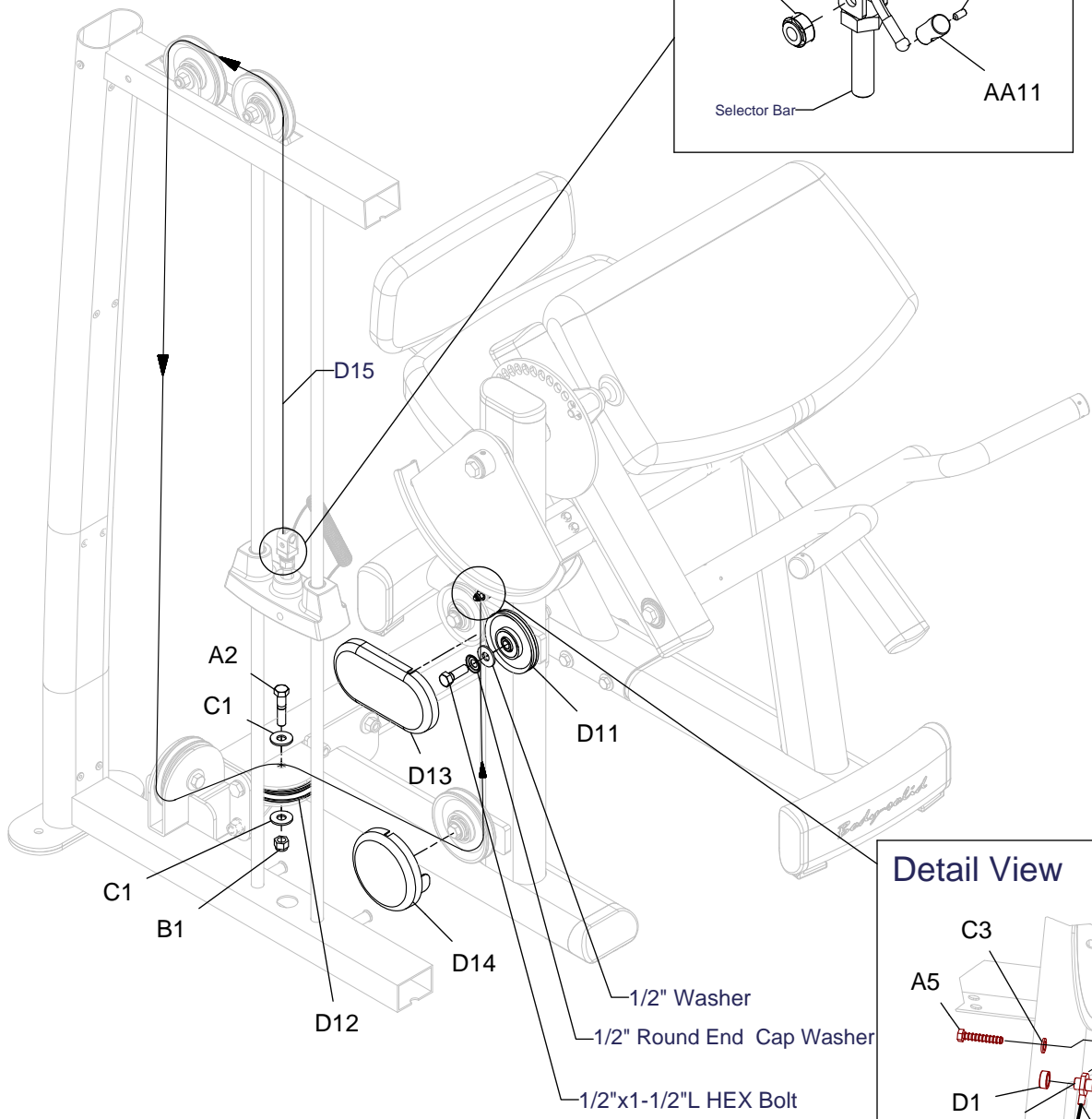
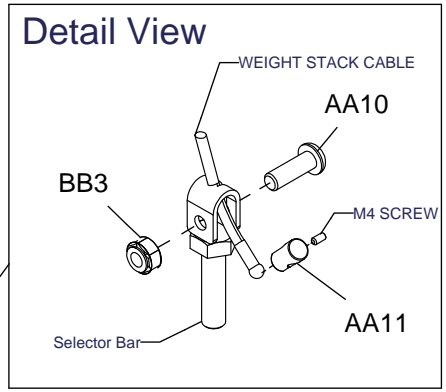
Above shows STEP 9 assembled and completed



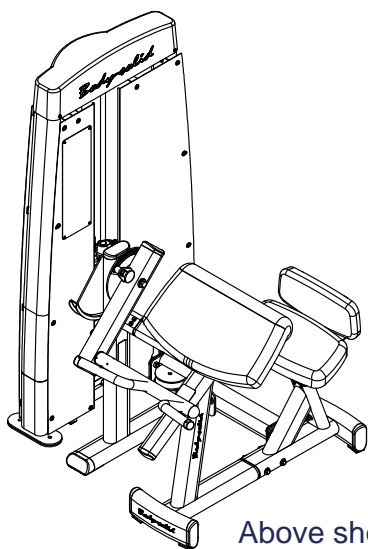
DBTC ASSEMBLY INSTRUCTIONS



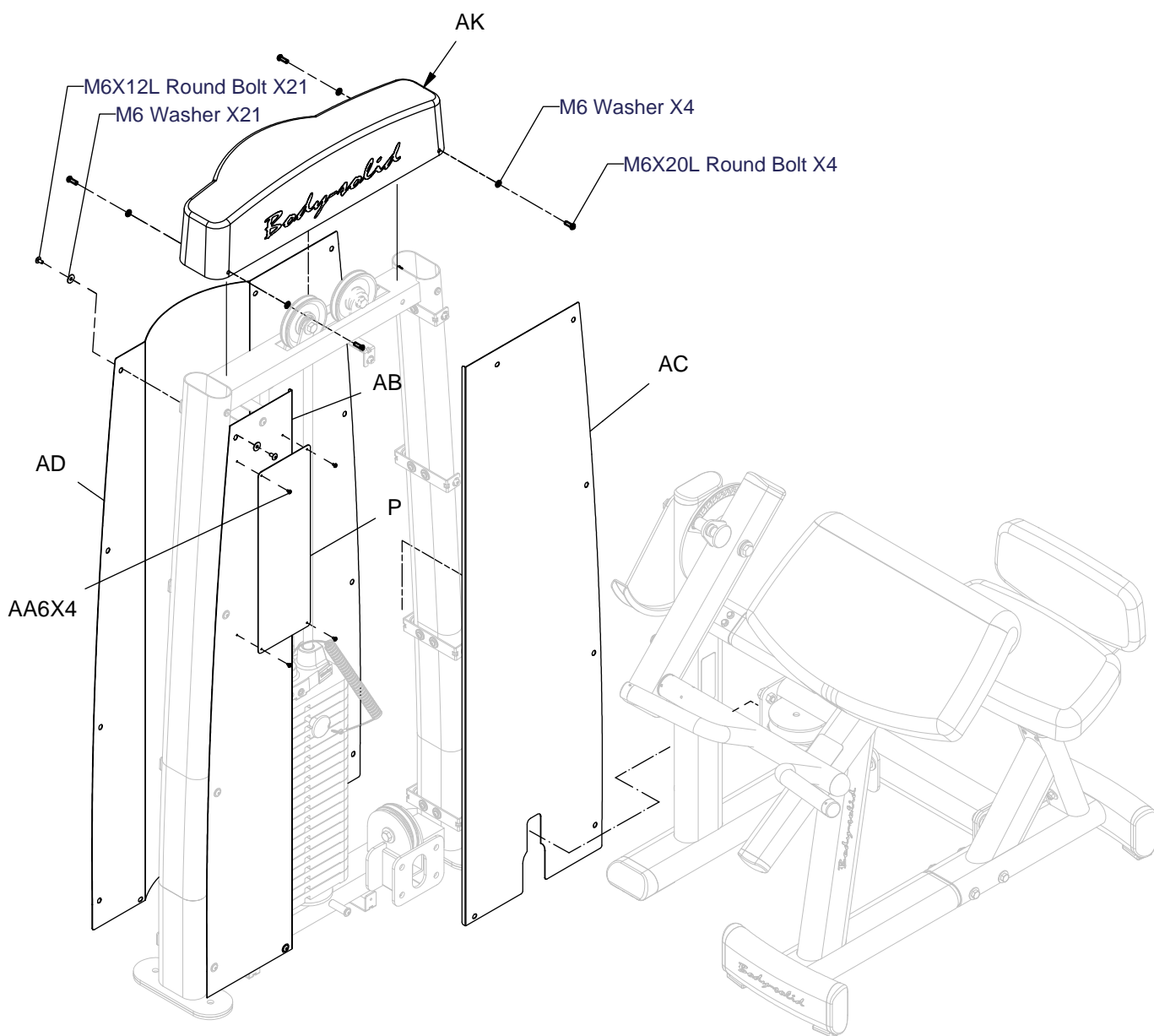
Above shows STEP 10 assembled and completed



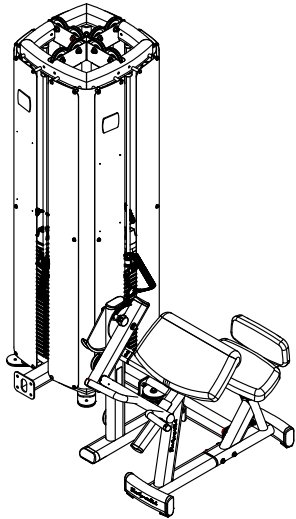
DBTC ASSEMBLY INSTRUCTIONS



Above shows STEP 11
assembled and completed

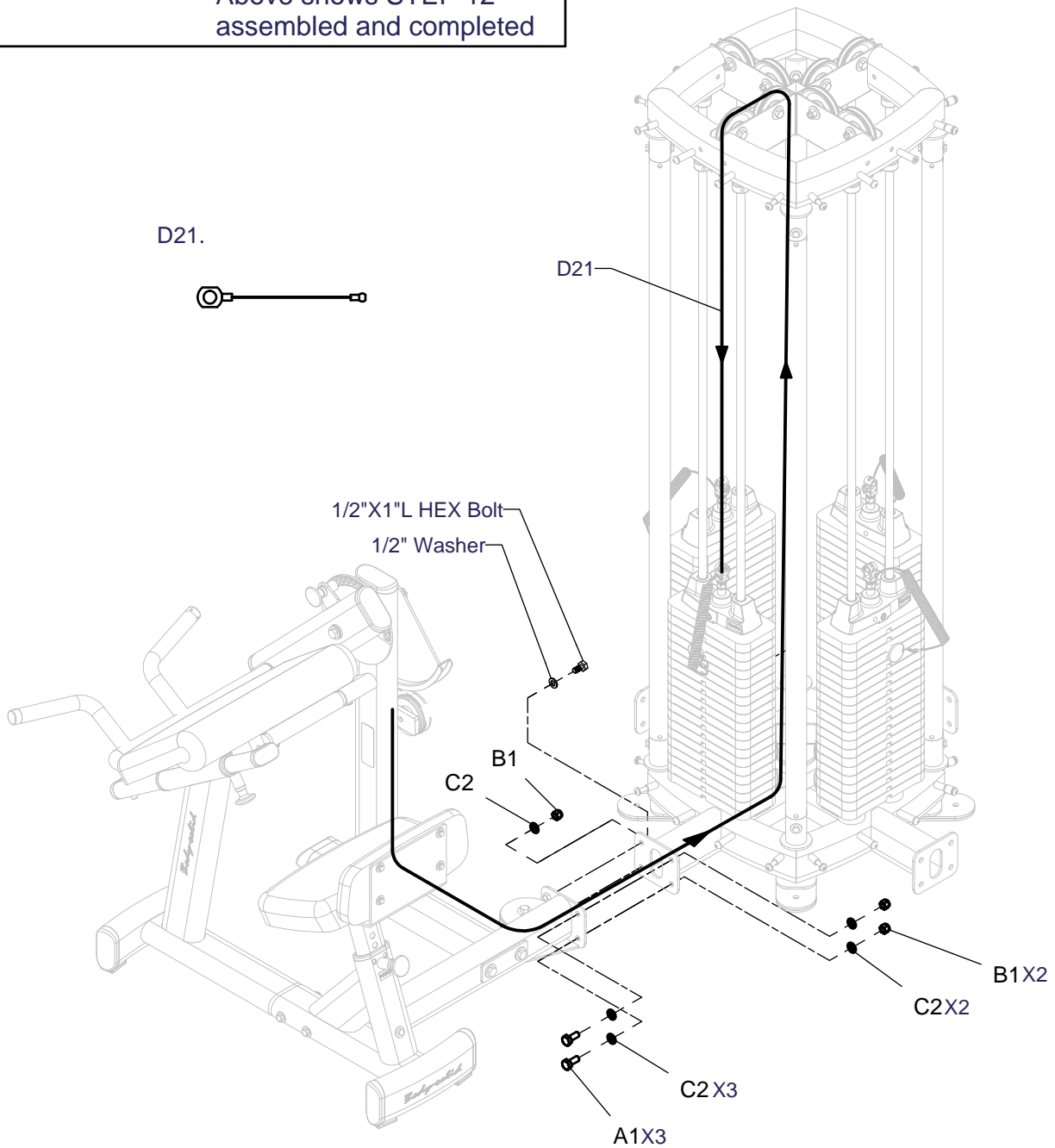


DBTC ASSEMBLY INSTRUCTIONS

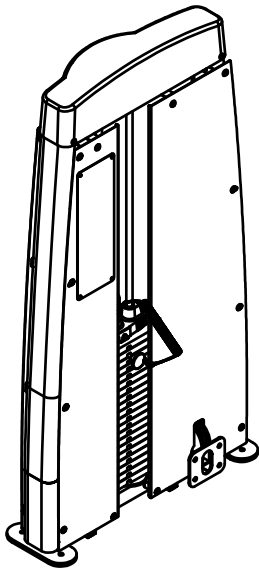
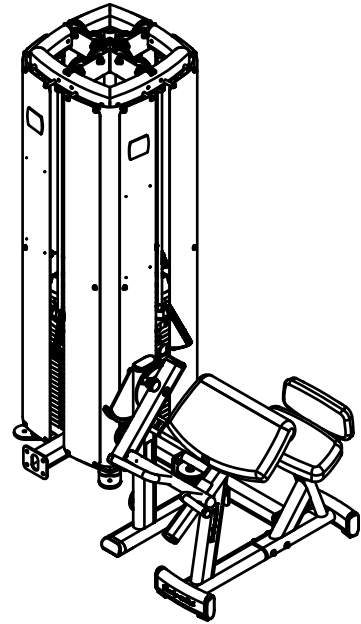
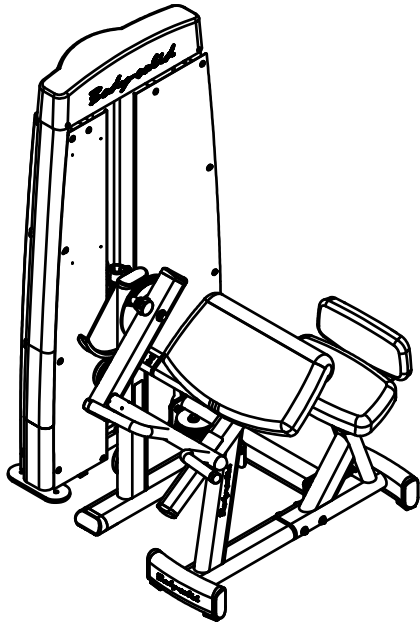


Above shows STEP 12
assembled and completed

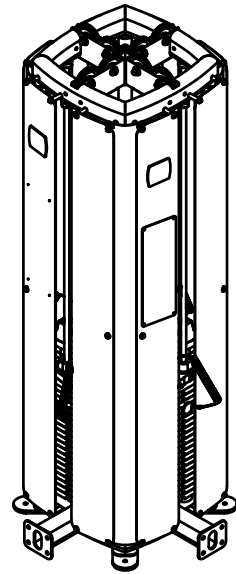
D21.



DBTC ASSEMBLY INSTRUCTIONS



DFA



DGYM

DBTC

