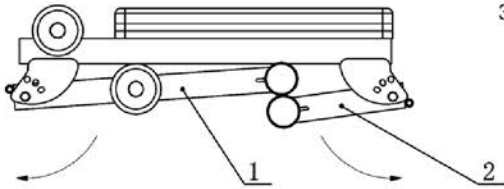


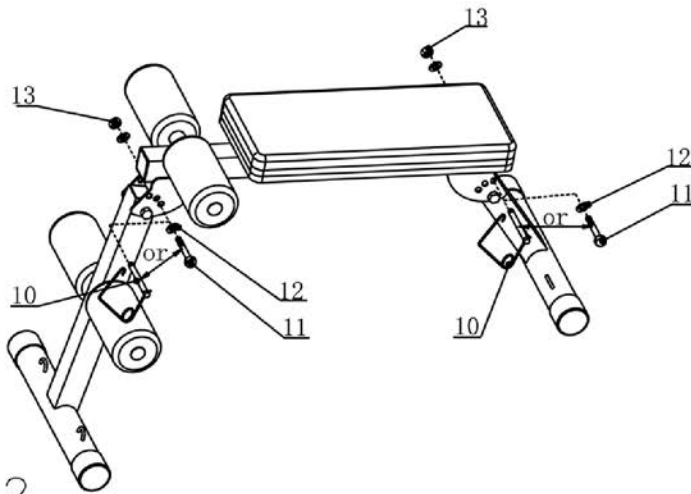


BFAB10 Ab Bench Assembly Steps:

1. Position bench on it's side and extend front and rear support frame (1) and (2)
2. Install removable safety pins (10) if repeated adjustments and storage position is desired or install bolts (11), washers (12) and nylon nuts (13) for permanent leg positioning.
3. Always be careful when repositioning the legs. Do not attempt to reposition legs while still on bench.



STEP 1



STEP 2

BFAB10(Parts List)

No.	Description	Qty	No.	Description	Qty
1	Front Support Frame	1	9	φ 25 Round End Cap	4
2	Rear Support Frame	1	10	Pin	2
3	Back Seat Frame	1	11	M10*75 Hex Head Bolt	4
4	Round Tube	2	12	φ 10 Washer	8
5	Upholster	1	13	M10 Nylon Nut	4
6	φ 60 Round End Cap	4	14	M8*70 Hex Head Bolot	2
7	φ 100*200 Foam	4	15	φ 8 Washer	2
8	50*50 Square End Cap	2	16	φ 8 Spring Washer	2

FOR PARTS OR SERVICE INQUIRIES CALL TEL 800-556-3113 FAX 708-427-3556

8/20/2007
BFAB10-XBOM.jpg

BFAB10 Exploded View

