

SOLE

FITNESS



B74
Upright



R72
Recumbent

OWNER'S MANUAL

PLEASE CAREFULLY READ THIS ENTIRE MANUAL BEFORE
OPERATING YOUR NEW BIKE!

TABLE OF CONTENTS

<u>Important Safety Instructions</u>	<u>3</u>
<u>Important Electrical Information</u>	<u>4</u>
<u>Important Operation Instructions</u>	<u>4</u>
<u>B74 Assembly Instructions</u>	<u>7</u>
<u>R72 Assembly Instructions</u>	<u>12</u>
<u>Fitness Bike Features</u>	<u>16</u>
<u>Operation of Your New Fitness Bike</u>	<u>17</u>
<u>Programmable Features</u>	<u>20</u>
<u>Using Heart Rate Monitor</u>	<u>25</u>
<u>General Maintenance</u>	<u>27</u>
<u>B74 Exploded View Diagram</u>	<u>28</u>
<u>B74 Parts List</u>	<u>29</u>
<u>R72 Exploded View Diagram</u>	<u>32</u>
<u>R72 Parts List</u>	<u>33</u>

ATTENTION

THIS FITNESS BIKE IS INTENDED FOR **RESIDENTIAL USE ONLY** AND IS WARRANTED FOR THE APPLICATION. ANY OTHER APPLICATION **VOIDS** THIS WARRANTY IN ITS ENTIRETY.

SR148 SU140-YB011_1509A

IMPORTANT SAFETY INSTRUCTIONS

WARNING - Read all instructions before using this appliance.

- Do not operate fitness bike on deeply padded, plush or shag carpet. Damage to both carpet and fitness bike may result.
- Keep children away from the fitness bike. There are obvious pinch points and other caution areas that can cause harm.
- Keep hands away from all moving parts.
- Never operate the fitness bike if it has a damaged cord or plug. If the fitness bike is not working properly, call your dealer.
- Keep the cord away from heated surfaces.
- Never drop or insert any object into any openings.
- Do not use outdoors.
- To disconnect, turn all controls to the off position, remove tether cord, then remove the plug from the outlet.
- Do not attempt to use your fitness bike for any purpose other than for the purpose it is intended.
- The hand pulse sensors are not medical devices. Various factors, including the user's movement, may affect the accuracy of heart rate readings. The pulse sensors are intended only as exercise aids in determining heart rate trends in general.
- Wear proper shoes. High heels, dress shoes, sandals or bare feet are not suitable for use on your fitness bike. Quality athletic shoes are recommended to avoid leg fatigue or injury.

SAVE THESE INSTRUCTIONS - THINK SAFETY!

IMPORTANT ELECTRICAL INSTRUCTIONS

WARNING!

NEVER remove any cover without first disconnecting AC power.

If voltage varies by ten percent (10%) or more, the performance of your fitness bike may be affected. **Such conditions are not covered under your warranty.** If you suspect the voltage is low, contact your local power company or a licensed electrician for proper testing.

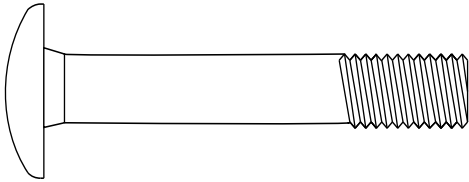
NEVER expose this fitness bike to rain or moisture. This product is **NOT** designed for use outdoors, near a pool or spa, or in any other high humidity environment. The operating temperature specification is 40 to 120 degrees Fahrenheit, and humidity is 95% non-condensing (no water drops forming on surfaces).

IMPORTANT OPERATION INSTRUCTIONS

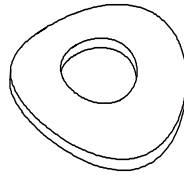
- **NEVER** operate this fitness bike without reading and completely understanding the results of any operational change you request from the computer.
- **NEVER** use your fitness bike during an electrical storm. Surges may occur in your household power supply that could damage fitness bike components. Unplug the fitness bike during an electrical storm as a precaution.
- Do not use excessive pressure on console control keys. They are precision set to function properly with little finger pressure. If you feel the buttons are not functioning properly with normal pressure contact your dealer.

B74 ASSEMBLY PACK CHECKLIST

1 HARDWARE STEP 1



#23. 3/8" x 3-1/2"
Carriage Bolt (4 pcs)

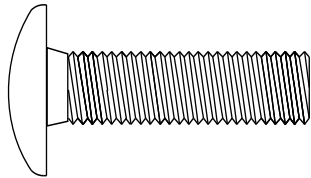


#24. 3/8" Curved
Washer (4 pcs)

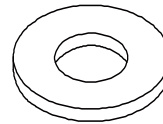


#30. 3/8" Cap Nut
(4 pcs)

2 HARDWARE STEP 2

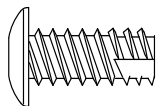


#71. 3/8" x 1-1/2"
Carriage Bolt (1 pc)

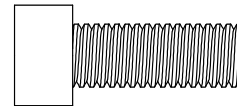


#72. 3/8" Flat Washer (1 pc)

3 HARDWARE STEP 3



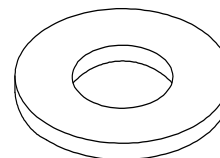
#36. 4mm x 12mm
Sheet Metal Screw (3 pcs)



#32. 5/16" x 3/4"
Socket Head Cap Bolt (4 pcs)



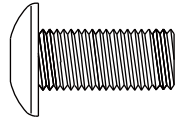
#35. 5/16" Split Washer
(4 pcs)



#33. 5/16" Flat Washer
(4 pcs)

※Screws 32, 33, 35 are
already on the mainframe

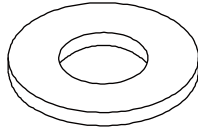
4 HARDWARE STEP 4 (This screw is already on the mainframe.)



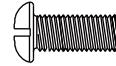
#104. 5/16" x 5/8"
Button Head Socket Bolt (2 pcs)



#35. 5/16" Split Washer
(2 pcs)

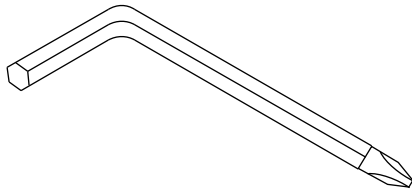


#33. 5/16" Flat Washer
(2 pcs)

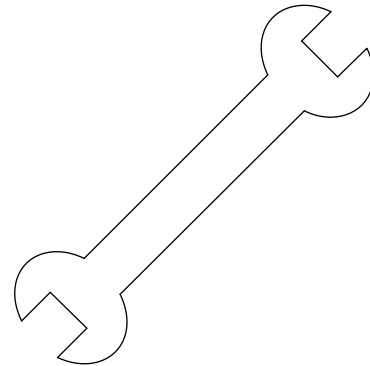


#41. 5mm x 12mm
Phillips Head Screw (4 pcs)

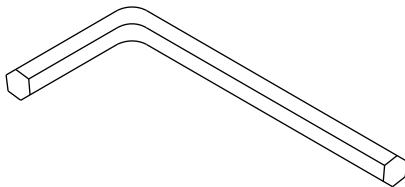
ASSEMBLY TOOLS



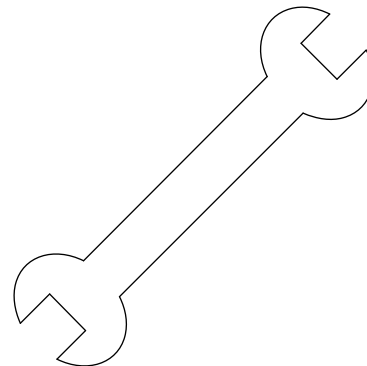
#43. Combination 5mm Allen
Wrench & Phillips Head Screw
Driver



#79. 13/15mm Wrench



#87. L Allen Wrench



#106. 14/15mm Wrench

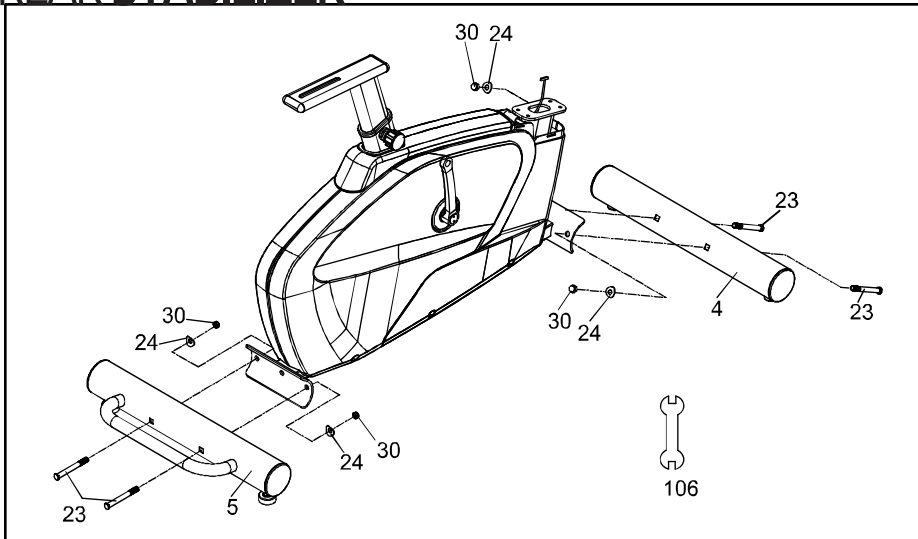
B74 ASSEMBLY INSTRUCTIONS

PRE-ASSEMBLY

1. Using a razor knife (Box Cutter) cut the outside, bottom, edge of box along the dotted Line. Lift Box over the unit and unpack.
2. Carefully remove all parts from carton and inspect for any damage or missing parts. If damaged parts are found, or parts are missing, contact your dealer immediately.
3. Locate the hardware package. Remove the tools first. Remove the hardware for each step as needed to avoid confusion. The numbers in the instructions that are in parenthesis (#) are the item number from the assembly drawing for reference.

1

REAR STABILIZER



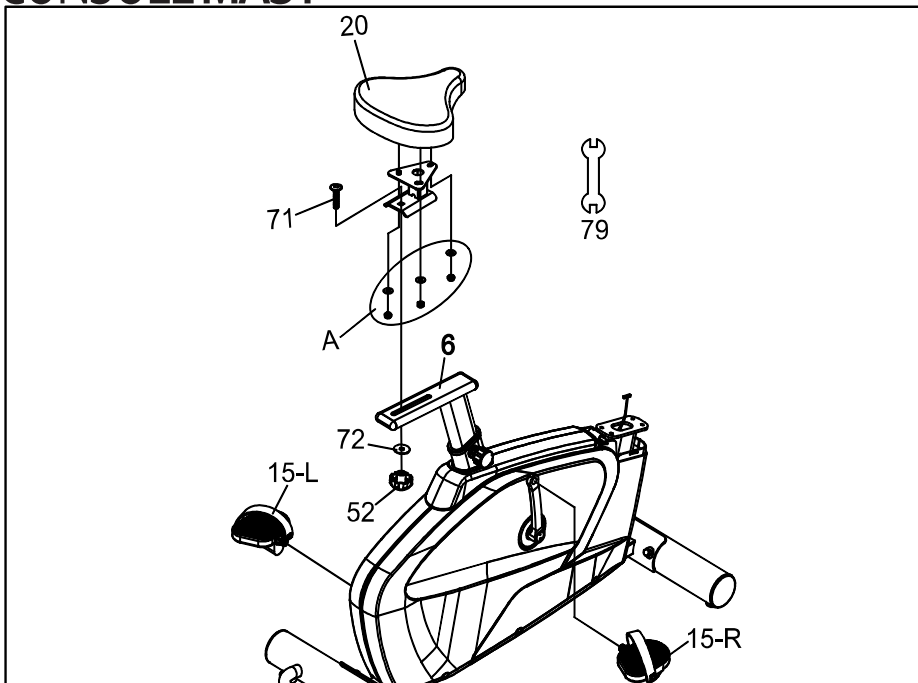
HARDWARE STEP 1

- #23. 3/8" x 3-1/2" Carriage Bolt (4 pcs)
- #24. 3/8" Curved Washer (4 pcs)
- #30. 3/8" Cap Nut (4 pcs)

1. Secure the front and rear stabilizers (4&5) to the main frame with the four 3/8" X 3-1/2" carriage bolts (23), four 3/8" curved washers (24) and four 3/8" cap nuts (30). Using the 14/15mm wrench provided (106) tighten the cap nuts securely.

2

CONSOLE MAST

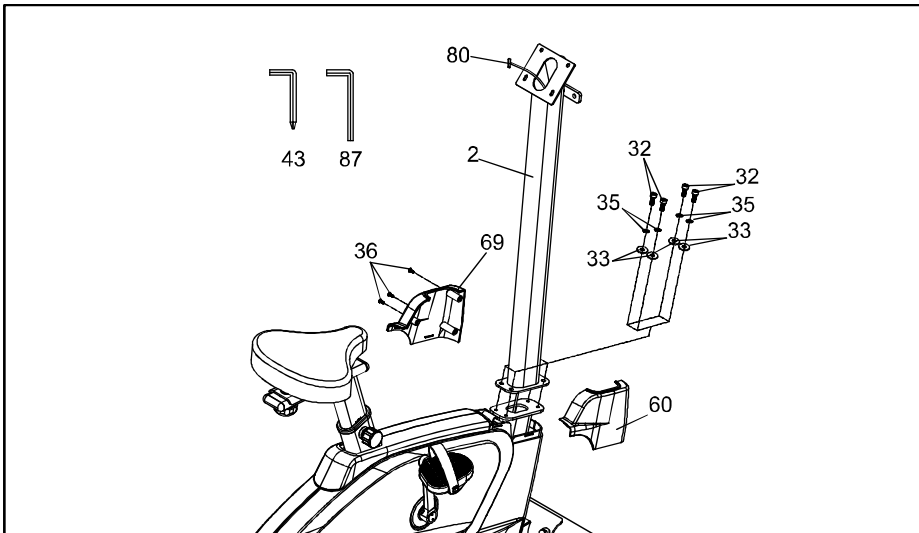


HARDWARE STEP 2

- #71. 3/8" x 1-1/2" Carriage Bolt (1 pc)
- #72. Ø3/8" Flat Washer (1 pc)

1. Remove the M8 nuts and 8mm washers (A) from the threaded studs on the underside of the seat. Assemble the seat to the sliding seat mount and fix it with the previously removed nuts and washers. Use the wrench provided (106) to tighten the nuts securely.
2. Install the 3/8" X 1-1/2" carriage bolt (71) through the square hole in the seat slide and mount the seat assembly on the seat tube (6). Secure in place using the 3/8" flat washer (72) and the seat adjustment knob (52).
3. Install the left and right pedals. The left pedal is a reverse thread and will screw into the crank in a counter-clockwise direction. Make sure the pedals are tightened very securely. The pedals may need to be retightened after a few hours of use.

3 HANDLEBAR



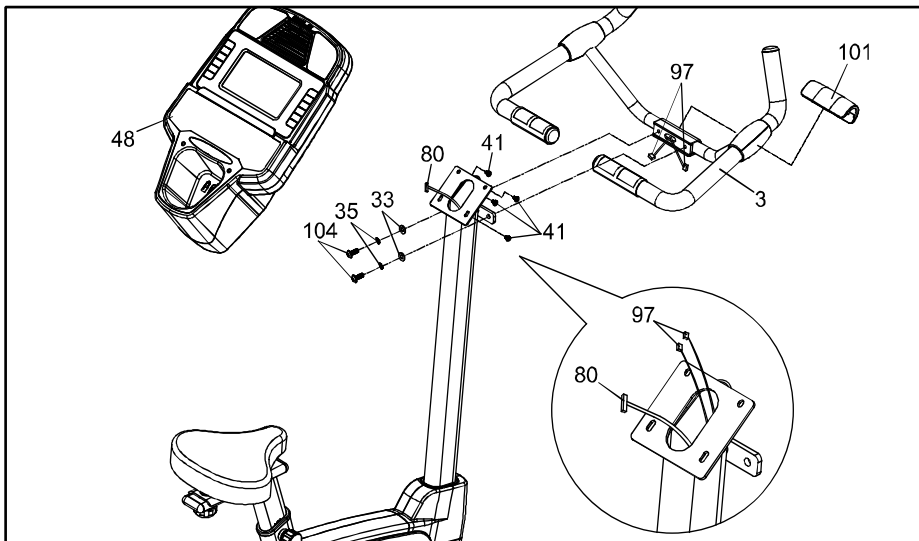
1. Feed the computer cable (80) through the console mast and out the top. Secure the console mast (2) to the mating plate of the main frame with the four 5/16" X 3/4" bolts (32), 5/16" split washers (35) and 5/16" flat washers (33). Use the Allen wrench provided (87) to tighten the bolts securely. Be very careful not to pinch the computer cable between the two plates of the console mast!
2. Install the two covers (60 & 69) onto the base of the console mast with the three 4mm screws (36).

HARDWARE STEP3

- #36. 4mm x 12mm Sheet Metal Screw (3 pcs)
- #32. 5/16" x 3/4" Socket Head Cap Bolt (4 pcs)
- #33 5/16" Flat Washer (4 pcs)
- #35. 5/16" Split Washer (4 pcs)

※Screws 32, 33, 35 are already on the mainframe

4 PLASTIC PARTS



1. Hold the handle bar (3) while feeding the hand pulse wires into the opening in the handle bar mounting plate and out of the same hole as the computer cable. Secure the handle bar to the console mast with the two 5/16" X 5/8" bolts (104), 5/16" split washers (35) and 5/16" flat washers (33). Be very careful not to pinch the hand pulse wires between the handle bar and console mast!
2. Plug the computer cable and hand pulse cables into the back of the console. Place the console on the mounting plate while storing any excess wire into the console mast. Secure the console with four 5mm X 12mm screws (41). Make sure you do not pinch the wires between the console and the mounting plate!
3. Snap the handle bar cover (101) onto the back of the handle bar.

HARDWARE STEP4

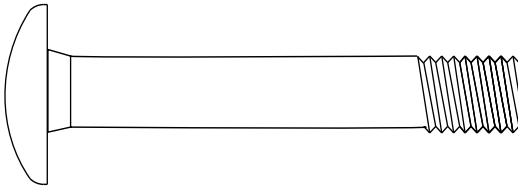
- #104. 5/16" x 5/8" Button Head Socket Bolt (2 pcs)
- #35. 5/16" Split Washer (2 pcs)
- #33. 5/16" Flat Washer (2 pcs)
- #41. 5mm x 12mm Phillips Head Screw (4 pcs)

This screw is already on the mainframe.

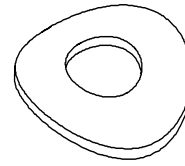
R72 ASSEMBLY PACK CHECKLIST

1

HARDWARE STEP 1



#125. 3/8" x 3-1/2"
Carriage Bolt (4 pcs)



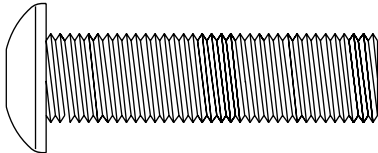
#126. 3/8"
Curved Washer (4 pcs)



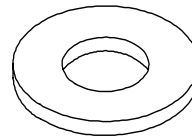
#127. 3/8"
Cap Nut (4 pcs)

2

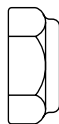
HARDWARE STEP 2



#129. 3/8" x 1-3/4" Button
Head Socket Bolt (6 pcs)

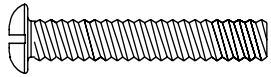


#130. 3/8" Flat Washer
(6 pcs)



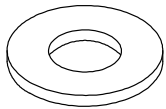
#131. 3/8"
Nyloc Nut (6 pcs)

3 HARDWARE STEP 3

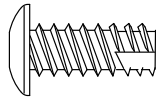


#137. M6 x 35mm
Philips Head Screw (4 pcs)

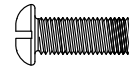
4 HARDWARE STEP 4



#87. 5/16"
Flat Washer (6 pcs)



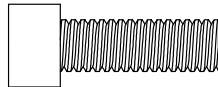
#88. 4mm x 12mm
Sheet Metal Screw (3 pcs)



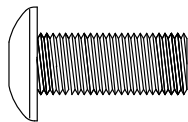
#89. 5mm x 12mm Phillips
Head Screw (4 pcs)



#104. 5/16"
Split Washer (6 pcs)



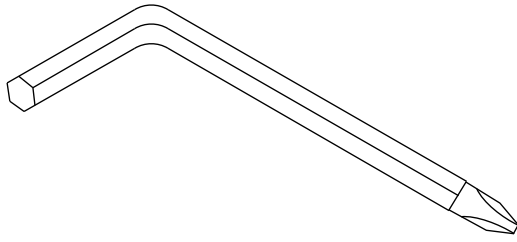
#124. 5/16" x 3/4" Socket
Head Cap Bolt (4 pcs)



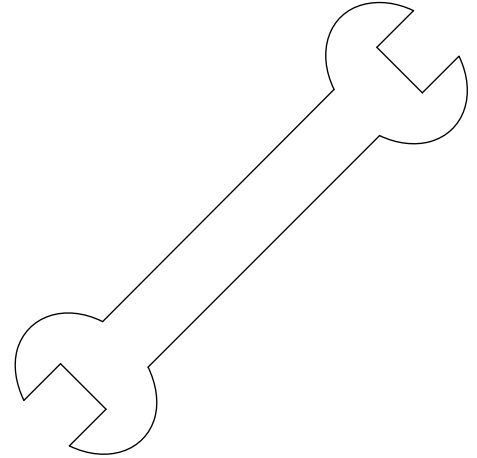
#123. 5/16" x 5/8" Button Head
Socket Bolt (2 pcs)

※ Screws 87, 89, 104, 123, 124 are
already on the mainframe

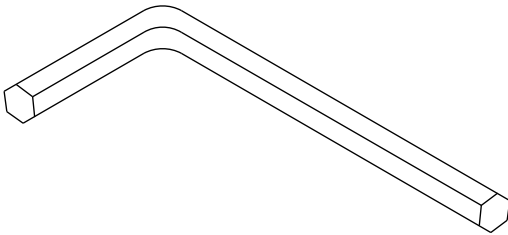
ASSEMBLY TOOLS



#140. Combination 5mm Allen Wrench & Phillips Head Screw Driver



#141. 14/15mm Wrench



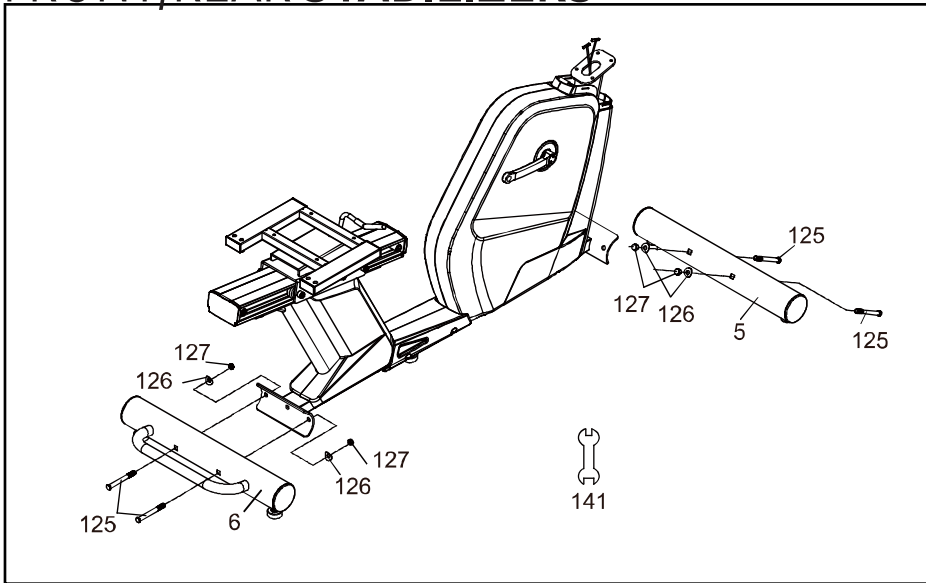
#142. L Allen Wrench

R72 ASSEMBLY INSTRUCTIONS

PRE-ASSEMBLY

1. Using a razor knife (Box Cutter) cut the outside, bottom, edge of box along the dotted Line. Lift Box over the unit and unpack.
2. Carefully remove all parts from carton and inspect for any damage or missing parts. If damaged parts are found, or parts are missing, contact your dealer immediately.
3. Locate the hardware package. Remove the tools first. Remove the hardware for each step as needed to avoid confusion. The numbers in the instructions that are in parenthesis (#) are the item number from the assembly drawing for reference.

1 FRONT/REAR STABILIZERS

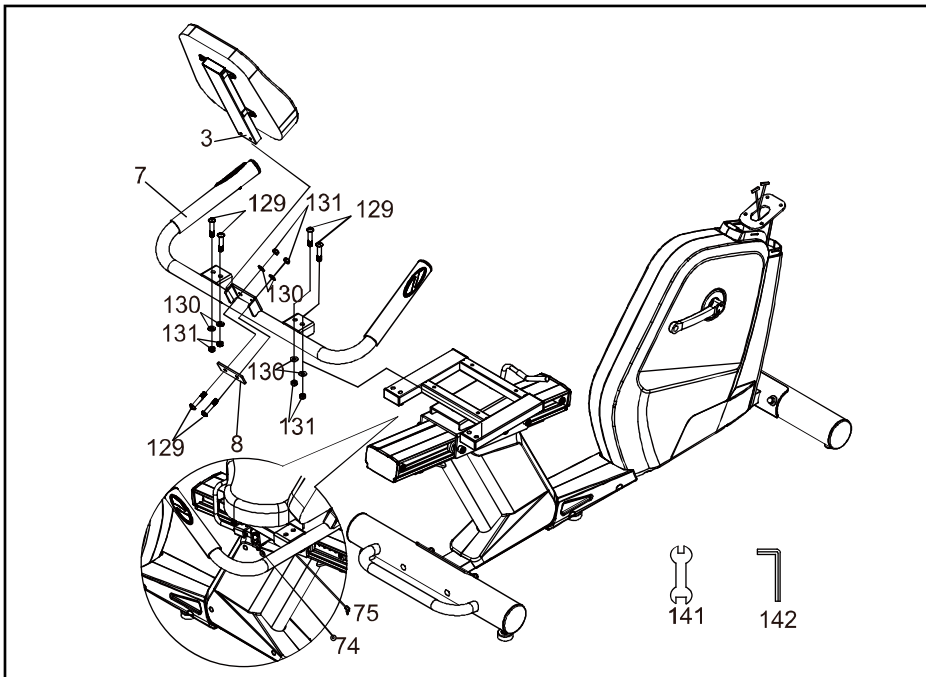


HARDWARE STEP 1

- #125. 3/8" x 3-1/2"
Carriage Bolt (4 pcs)
- #126. 3/8" Flat Washer
(4 pcs)
- #127. 3/8" Cap
Nut (4 pcs)

1. Secure Front Stabilizer (5) and Rear Stabilizer (6) with four Carriage Bolts (125), four Curved Washers (126), four Cap Nuts (127) by using 14/15mm Wrench (141).

2 SEAT HANDLE BAR



HARDWARE STEP 2

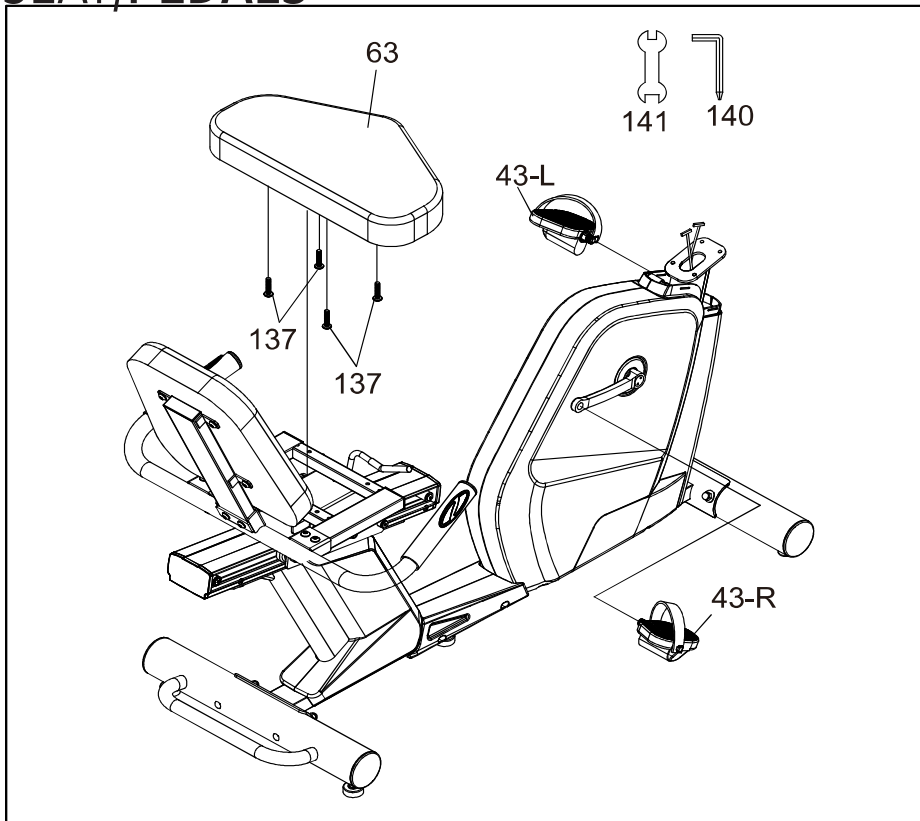
- #129. 3/8" x 1-3/4"
Button Head Socket Bolt
(6 pcs)
- #130. 3/8" Flat Washer
(6 pcs)
- #131. 3/8"
Nyloc Nut (6 pcs)

1. Install Seat Handle Bar (7) on the sliding seat carriage by using Allen Wrench(142) to tighten four Button Head Socket Bolts (129), going through Seat Handle Bar (7) and four Flat Washers (130), then use 14/15mm Wrench (141) to tighten four Nyloc Nuts (131).
2. Install Seat Back Bracket (3) on the Seat Handle Bar (7) by using Allen Wrench(142) to tighten two Button Head Socket Bolts (129), going through Bolt Washer (8) and two Flat Washers (130), then use 14/15mm Wrench (141) to tighten two Nyloc Nuts,(131).
3. Connect Lower and Upper handpulse wires (75,74).

3 SEAT/PEDALS

HARDWARE STEP 3

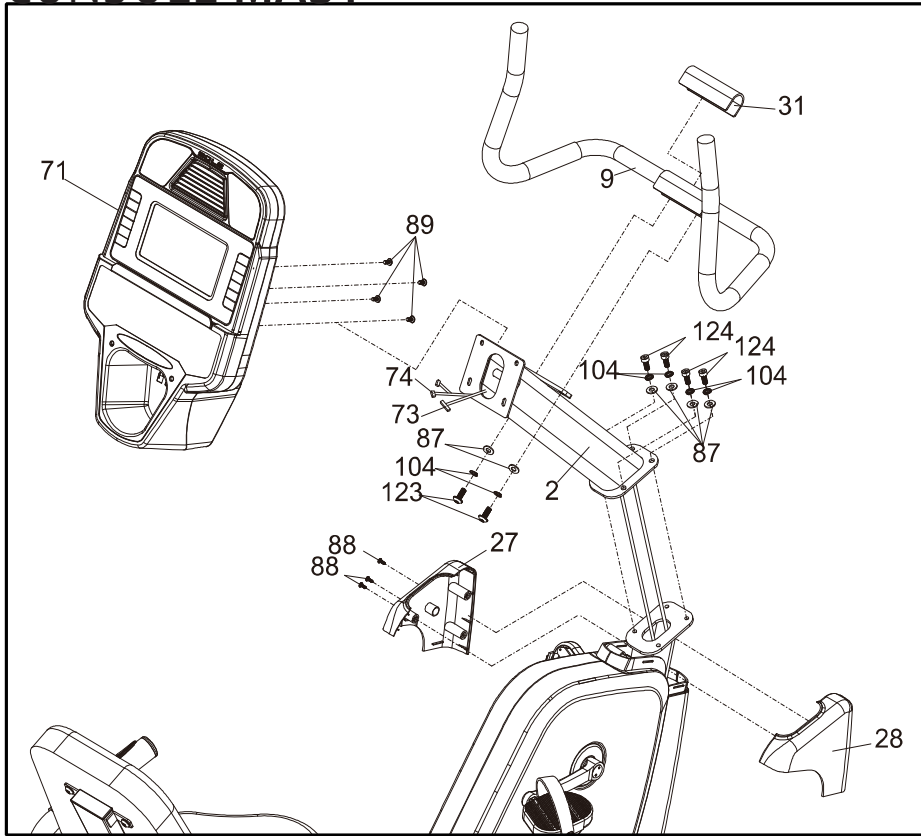
#137. M6 x 35mm
Phillips Head Screw
(4 pcs)



1. Secure Seat (63) on the sliding seat carriage by using Combination M5 Allen Wrench & Phillips Head Screw Driver (140) to tighten four Phillips Head Screws (137).
2. Use 14/15mm Wrench (141) to tighten the two pedals (43) on the crank axle. The left pedal is a reverse thread so you need to turn the threaded shaft counter clockwise to tighten.

4

CONSOLE MAST



HARDWARE STEP 4

- #124. 5/16" x 3/4"
Socket Head Cap Bolt
(4 pcs)
- #104. Ø8 x 1.5T
Split Washer (6 pcs)
- #87. 5/16" x 12 x 1.0 T
Flat Washer (6 pcs)
- #89. M5 x 12L
Phillips Head Screw
(4 pcs)
- #123. 5/16" x 18 x 5/8"
Button Head Socket Bolt
(2 pcs)
- #88. 4 x 12L
Sheet Metal Screw
(3 pcs)
- ✳Screws 87, 89, 104,
123, 124 are already
on the mainframe

1. Pull Upper Handpulse Wire (74) and Computer Cable (73) through the Console Mast (2) and use Allen wrench (142) to secure with four Socket Head Cap Bolts (124), Split Washers (104) and Flat Washers (87) each.
2. Cover with both left and right Console Mast Covers (27, 28) and use Phillips Head Screw Driver (140) to secure with three Sheet Metal Screws (88).
3. Connect Upper Handpulse Wire (74) and Computer Cable (73) with the Console (71) and use Phillips Head Screw Driver (140) to secure Console Mast (2) with four Phillips Head Screws (89).
4. Use M5 Allen Wrench (140) tighten Mast Handle bar Assembly (9) and Console Mast (2) together with two Button Head Socket Bolts (123), Split Washers (104) and Flat Washers (87) each.

- **Be very careful during this step to make sure the cables do not become pinched between the parts. This could cause the wires to short causing damage to the electronics.**

FITNESS BIKE FEATURES

FOOT PEDALS

Through research performed with a leading sports scientist and physical rehabilitation expert, Sole engineering has developed a breakthrough in pedal design. Typical stationary exercise bikes are wider than a normal road bike. The reason is to allow for the braking mechanism, pulleys, drive components and plastic covers. Since the bike is wider, so is the distance between the pedals; this width between the pedals is called the Q factor.

SEAT ADJUSTMENT B74

To raise the seat position, loosen the knob and pull the knob out. Now lift up from under the rear of the seat. Once the seat is at the desired setting, tighten the knob to ensure the seat post won't accidentally slide downward during use. To lower the seat, loosen the knob then hold under the rear of the seat and pull the knob out to disengage the pin from the seat post.

SEAT ADJUSTMENT R72

You are able to adjust the seat position while seated. Pull up on the lever located in front of the seat and slide the carriage forward or backwards. The correct position is when there is a slight bend in your knee when the pedal is at its farthest position forward (3 o'clock position when looking from the right side of the bike). Release the lever and you are ready to begin.

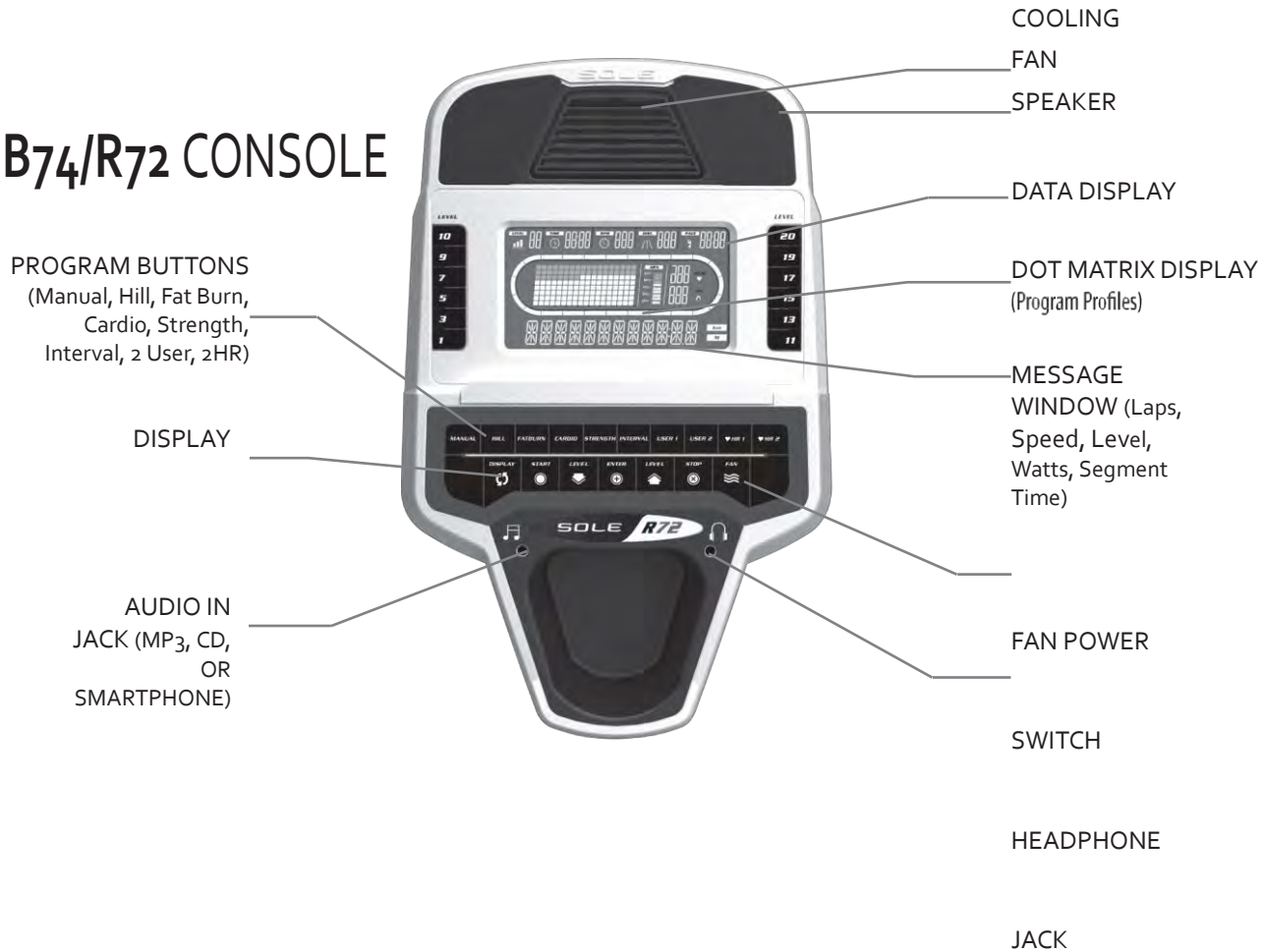
PEDAL STRAP ADJUSTMENT

Adjust each pedal strap so that they are snug around your feet. You have the option of adjusting the strap length on one or both sides of the pedal.

OPERATION OF YOUR FITNESS BIKE

GETTING FAMILIAR WITH THE CONTROL PANEL

B74/R72 CONSOLE



POWER UP

When it is first powered on, the console will perform an internal self-test. During this time all the lights will turn on. When the lights go off, the **Message Window** will show a software version (i.e.: VER 1.0) and the **Distance** window will display an odometer reading. The odometer reading displays how many virtual miles the fitness bike has gone. The **Time** window displays how many hours the fitness bike has been used.

The odometer and time will remain displayed for only a few seconds then the console will go to the start-up display. The dot matrix display will be scrolling through the different workout profiles and the Message Window will scroll the start-up message. You may now begin to use the console.

!!ATTENTION

Your new fitness bike console may come configured in an in-store 'display mode' of operation, where the console will remain powered on unless the main power switch is turned off. To exit the display mode, for normal operation, press and hold the **Stop, Enter** and **Display** keys for five seconds; the display will show: Display Mode - ON. Use the Level **Up** key to change the setting to **OFF** then press Enter.

CONSOLE OPERATION

QUICK START

This is the quickest way to start a workout. After the console powers up you just press the **Start** key to begin, this will initiate the Quick Start mode. In Quick Start the time will count up from zero and the workload/resistance may be adjusted manually by pressing the **Level** ▲/▼ buttons. The dot matrix display will be showing a track with a blinking dot indicating your progress as it travels around the track.



BASIC INFORMATION

The **Message Window** will initially display **Laps** completed. Each time the **Display** button is pressed the next set of information will appear. The order of information displayed will be: **Speed** (in mph), **Level**, **Watts**, **Segment Time** and **Data Scan** mode. In **Data Scan** mode, the displayed information will change every 4 seconds in the **Message Window**.

The fitness bike has a built in heart rate monitoring system, Simply grasping the **Contact Heart Rate Sensors** on the handle bars or wearing the optional chest strap transmitter will start the heart (see Heart Rate Programs) Icon blinking (this may take a few seconds). The **Pulse Window** will display your heart rate in beats per minute and the HR bar graph will show your current % in relation to projected heart rate maximum. The optional chest strap is a more accurate and reliable method of heart rate reading. The hand pulse sensors are subject to false readings depending on user physiology and workout habits including how one grips the sensors or how sweaty their hands are.

The **Stop** button actually has several functions. Pressing the **Stop** key once during a program will **Pause** the program for 5 minutes. If you need to get a drink, answer the phone or any of the many things that could interrupt your workout, this is a great feature. To resume your workout during **Pause** just press the **Start** key. If the **Stop** button is pressed twice during a workout the program will end and a **Workout Summary** is displayed.



If the **Stop/Reset** key is held down for 3 seconds the console will perform a complete **Reset**. During data entry for a program the **Stop/Reset** key performs a **Previous Screen** function. This allows you to go back one step in the programming each time you press the **Stop** key.

There is an **Audio In Jack** (🎵) on the front of the console and built-in speakers. You may plug any low-level audio source signal into this port. Audio sources include MP3, iPod, portable radio, CD player or even a TV or computer audio signal. There is also a **Headphone Jack** (🎧) for private listening.

PROGRAMMING THE CONSOLE

Each of the programs can be customized with your personal information and changed to suit your needs. Some of the information asked for is necessary to ensure the readouts are correct.

You will be asked for your **Age** and **Weight**. Entering your **Age** is necessary during the Heart Rate control program to ensure the correct settings are entered in the program; entering your **Weight** aides in calculating a more correct **Calorie** reading. Although we cannot provide an exact calorie count we do want to be as close as possible.

A message about Calories: Calorie readings on every piece of exercise equipment, whether it is in a gym or at home, are not accurate and tend to vary widely. They are meant only as a guide to monitor your progress from workout to workout. The only way to measure your calorie burn accurately is in a clinical setting connected to a host of machines. This is because every person is different and burns calories at a different rate.

ENTERING A PROGRAM AND CHANGING SETTINGS

Press each program button to scroll through the program selections. The profile for each program will be displayed in the dot matrix window. Press the **Enter** key to select a program and begin customizing the settings. If you want to workout without entering new settings, then just press the **Start** key. This will bypass the programming of data and take you directly to the start of your workout. If you want to change the personal settings, then just follow the instructions in the **Message Window**. If you start a program without changing the settings, the default settings will be used.

Note: Age and Weight default settings will change when you enter a new number. So the last Age and Weight entered will be saved as the new default settings. If you enter Age and Weight the first time you use the fitness bike you will not have to enter it every time you work out unless either Age or Weight has changed or someone else enters a different Age and Weight.

PROGRAMMABLE FEATURES



MANUAL PROGRAM

The Manual program works as the name implies, manually. This means that you control the workload yourself and not the computer.

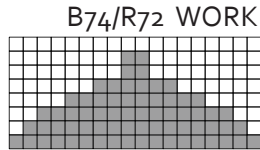
1. Press the **Manual** program button then press the **Enter** key.
2. The **Message Window** will ask you to enter your **Age**. You may adjust the age setting using the **Level ▲/▼** keys, then press the **Enter** key to accept the new number and proceed on to the next screen.
3. You are now asked to enter your **Weight**. You may adjust your weight setting using the **Level ▲/▼** keys, then press **Enter** to continue.
4. Next is the **Time**. You may adjust the length of **Time** by pressing the **Level ▲/▼** keys, then press **Enter** to continue.
5. Now you are finished editing the settings and can begin your workout by pressing the **Start** key. You can also go back and modify your settings by pressing the **Stop** key to go back one level of the programming screen.
6. Once the program starts the fitness bike will be set to level one. This is the easiest level and it is a good idea to stay at level one for a while to warm up. If you want to increase the work load at any time press the **Level ▲** key; the **Level ▼** key will decrease the workload.
7. During the Manual program you will be able to scroll through the data in the **Message Window** by pressing the **Display** key.
8. When the program ends the **Message Window** will show a summary of your workout. The summary will be displayed for a short time then the console will return to the start-up display.

PRESET PROGRAMS

The fitness bike has five different programs that have been designed for a variety of workouts. These five programs have factory preset work level profiles for achieving different goals.

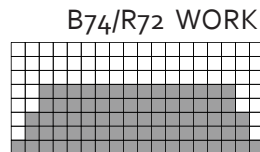
Hill

The **Hill** program simulates going up and down a hill. The resistance in the pedals will steadily increase and then decrease during the program.



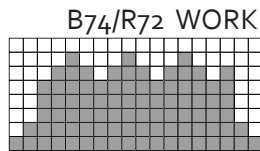
Fat Burn

The **Fat Burn** program is designed, as the name implies, to maximize the burning of fat. There are many schools of thought on the best way to burn fat but most experts agree that a lower exertion level that stays at a steady workload is the best. The absolute best way to burn fat is to keep your heart rate at around 60% to 70% of its maximum potential. This program does not use heart rate but simulates a lower, steady exertion workout.



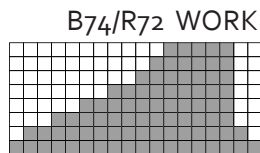
Cardio

The **Cardio** program is designed to increase your cardiovascular function and endurance. This is exercise for your heart and lungs. It will build up your heart muscle and increase blood flow and lung capacity. This is achieved by incorporating a higher level of exertion with slight fluctuations in work.



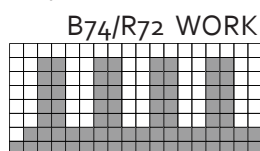
Strength

The **Strength** program is designed to increase muscular strength in your lower body. This program will steadily increase in resistance to a high level and forces you to sustain it. This is designed to strengthen and tone your legs and glutes (muscles of the butt).



Interval

The **Interval** program takes you through high levels of intensity followed by periods of low intensity. This program increases your endurance by depleting your oxygen level followed by periods of recovery to replenish oxygen. Your cardiovascular system gets programmed to use oxygen more efficiently this way. This program also forces your body to become more efficient due to spikes in heart rate, between recovery periods. This aids in heart rate recovery from intense activities.



PROGRAMMING PRESET BUTTONS

1. Press the desired program button then press the **Enter** key.
2. The **Message Window** will ask you to enter your **Age**. You may adjust the age setting, using the **Level ▲/▼** keys, then press the **Enter** key to accept the new number and proceed on to the next screen.
3. You are now asked to enter your **Weight**. You may adjust the weight number using the **Level ▲/▼** keys then press **Enter** to continue.
4. Next is **Time**. You may adjust the **Time** and press **Enter** to continue.
5. Now you are asked to adjust the **Max Level**. This is the peak exertion level you will experience during the program (the highest colored segment/box of the program profile). Adjust the level and then press **Enter**.
6. Now you are finished editing the settings and can begin your workout by pressing the **Start** key. You can also go back and modify your settings by pressing the **Stop** key to go back one level, or screen.
7. During the program you will be able to scroll through the data in the **Message Window** by pressing the **Display** key.
8. When the program ends the **Message Window** will show a summary of your workout. The summary will be displayed for a short time then the console will return to the start-up display.



CUSTOM USER DEFINED PROGRAMS

The customizable User programs allow you to build and save your own workout. You can build your own custom program by following the instructions below.

1. Select the **User** program (**User 1** or **User 2**) then press **Enter**. If you have already saved a program to either **User 1** or **User 2**, it will be displayed and you are ready to begin. If not, you will have the option of inputting a username. In the **Message Window**, the letter "A" will be blinking. Use the **Level** buttons to select the appropriate first letter of your name (pressing the Up button will switch to the letter "B"; pressing the Down button will switch to letter "Z"). Press **Enter** when the desired letter is displayed. Repeat this process until all of the characters of your name have been programmed (maximum 7 characters). When finished press **Stop**.
2. If there is a program already stored in **User** when you press the key, you will have an option to run the program as it is or delete the program and build a new one. At the welcome message screen, when pressing **Start** or **Enter** you will be prompted: Run Program? Use the **Level ▲/▼** to select Yes or No. If you select No, you will then be asked if you want to delete the currently saved program. It is necessary to delete the current program if you want to build a new one.
3. The **Message Window** will ask you to enter your **Age**. You may enter your age using the **Level ▲/▼** keys, then press the **Enter** key to accept the new number and proceed on to the next screen.
4. You are now asked to enter your **Weight**. You may adjust the weight number using the **Level ▲/▼** keys, then press **Enter** to continue.
5. Next is **Time**. You may adjust the **Time** using the **Level ▲/▼** keys and press **Enter** to continue.
6. Now the first column will be blinking and you are asked to adjust the level for the first segment of the workout. When you finish adjusting the first segment, or if you don't want to change, then press **Enter** to continue to the next segment. The next segment will show the same level as the previously adjusted segment. Repeat the same process as the last segment then press **Enter**. Continue this process until all twenty segments have been set.
7. The **Message Window** will then tell you to start to begin (and save the program) or **Enter** to modify the program. Pressing **Stop** will exit to the start up screen.
8. If you want to increase or decrease the workload at any time during the program press the **Level ▲/▼** key. This will only affect the **Level** for the present column in the profile. When the profile changes to the next column it will return to the preset work level.
9. During the **User 1** or **User 2** program you will be able to scroll through the data in the **Message Window** by pressing the **Display** key.
10. When the program ends the **Message Window** will show a summary of your workout. The summary will be displayed for a short time then the console will return to the start-up display.

HEART RATE

Before we get started, a word about Heart Rate:

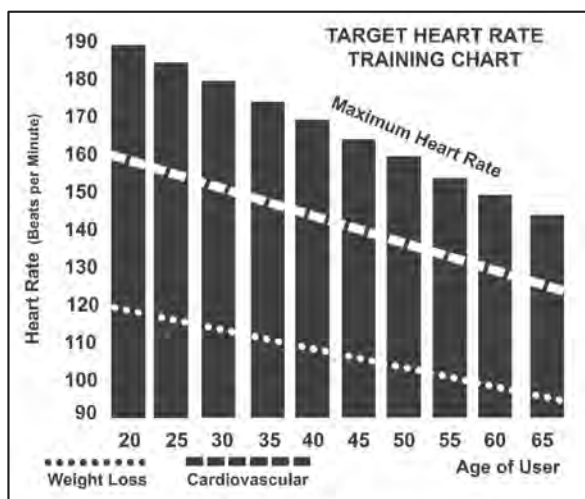
The old motto, “no pain, no gain”, is a myth that has been overpowered by the benefits of exercising comfortably. A great deal of this success has been promoted by the use of heart rate monitors. With the proper use of a heart rate monitor, many people find that their usual choice of exercise intensity was either too high or too low and exercise is much more enjoyable by maintaining their heart rate in the desired benefit range.

To determine the benefit range in which you wish to train, you must first determine your Maximum Heart Rate. This can be accomplished by using the following formula: 220 minus your age. This will give you the Maximum Heart Rate (MHR) for someone of your age. To determine the effective heart rate range for specific goals you simply calculate a percentage your MHR. Your Heart rate training zone is 50% to 90% of your maximum heart rate. 60% of your MHR is the zone that burns fat while 80% is for strengthening the cardio vascular system. This 60% to 80% is the zone to stay in for maximum benefit.

For someone who is 40 years old their target heart rate zone is calculated:

$$\begin{aligned} 220 - 40 &= 180 \text{ (maximum heart rate)} \\ 180 \times .6 &= 108 \text{ beats per minute} \\ &\text{(60\% of maximum)} \\ 180 \times .8 &= 144 \text{ beats per minute} \\ &\text{(80\% of maximum)} \end{aligned}$$

So for a 40 year old the training zone would be 108 to 144 beats per minute.



If you enter your age during programming the console will perform this calculation automatically. Entering your age is used for the Heart Rate control programs. After calculating your MHR you can decide upon which goal you would like to pursue.

The two most popular reasons for, or goals, of exercise are cardiovascular fitness (training for the heart and lungs) and weight control. The black columns on the chart above represent the MHR for a person whose age is listed at the bottom of each column. The training heart rate, for either cardiovascular fitness or weight loss, is represented by two different lines that cut diagonally through the chart. A definition of the lines' goal is in the bottom left-hand corner of the chart. If your goal is cardiovascular fitness or if it is weight loss, it can be achieved by training at 80% or 60%, respectively, of your MHR on a schedule approved by your physician. Consult your physician before participating in any exercise program.

With all SOLE Heart Rate Control fitness bike machines you may use the heart rate monitor feature without using the Heart Rate Control program. This function can be used during manual mode or during any of the nine different programs. The Heart Rate Control program automatically controls resistance at the pedals.

RATE OF PERCEIVED EXERTION

Heart rate is important but listening to your body also has a lot of advantages. There are more variables involved in how hard you should workout than just heart rate. Your stress level, physical health, emotional health, temperature, humidity, the time of day, the last time you ate and what you ate, all contribute to the intensity at which you should workout. If you listen to your body, it will tell you all of these things.

The rate of perceived exertion (RPE), also know as the Borg scale, was developed by Swedish physiologist G.A.V. Borg. This scale rates exercise intensity from 6 to 20 depending upon how you feel or the perception of your effort.

The scale is as follows:

Rating Perception of Effort

- 6 Minimal
- 7 Very,very light
- 8 Very,very light +
- 9 Very light
- 10 Very light +
- 11 Fairly light
- 12 Comfortable
- 13 Somewhat hard
- 14 Somewhat hard +
- 15 Hard
- 16 Hard +
- 17 Very hard
- 18 Very hard +
- 19 Very,very hard
- 20 Maximal

You can get an approximate heart rate level for each rating by simply adding a zero to each rating. For example a rating of 12 will result in an approximate heart rate of 120 beats per minute. Your RPE will vary depending up the factors discussed earlier. That is the major benefit of this type of training. If your body is strong and rested, you will feel strong and your pace will feel easier. When your body is in this condition, you are able to train harder and the RPE will support this. If you are feeling tired and sluggish, it is because your body needs a break. In this condition, your pace will feel harder. Again, this will show up in your RPE and you will train at the proper level for that day.

USING HEART RATE TRANSMITTER(Optional)

The heart rate transmitter is an option and is not included with your bike. Inquire with the store where you bought your bike for purchasing this item.

How to wear your wireless chest strap transmitter:

1. Attach the transmitter to the elastic strap using the locking parts.
2. Adjust the strap as tightly as possible as long as the strap is not too tight to remain comfortable.
3. Position the transmitter with the logo centered in the middle of your body facing away from your chest (some people must position the transmitter slightly left of center). Attach the final end of the elastic strap by inserting the round end and, using the locking parts, secure the transmitter and strap around your chest.
4. Position the transmitter immediately below the pectoral muscles.
5. Sweat is the best conductor to measure very minute heart beat electrical signals. However, plain water can also be used to pre-wet the electrodes (2 ribbed oval areas on the reverse side of the belt and both sides of the transmitter). It's also recommended that you wear the transmitter strap a few minutes before your work out. Some users, because of body chemistry, have a more difficult time in achieving a strong, steady signal at the beginning. After "warming up", this problem lessens. As noted, wearing clothing over the transmitter/strap doesn't affect performance.
6. Your workout must be within range - distance between transmitter/receiver – to achieve a strong steady signal. The length of range may vary somewhat but generally stay close enough to the console to maintain good, strong, reliable readings. Wearing the transmitter immediately against bare skin assures you of proper operation. If you wish, you may wear the transmitter over a shirt. To do so, moisten the areas of the shirt that the electrodes will rest upon.



Note: The transmitter is automatically activated when it detects activity from the user's heart. Additionally, it automatically deactivates when it does not receive any activity. Although the transmitter is water resistant, moisture can have the effect of creating false signals, so you should take precautions to completely dry the transmitter after use to prolong battery life (estimated transmitter battery life is 2500 hours). The replacement battery is Panasonic CR2032.

ERRATIC OPERATION

Caution! Do not use this fitness bike for Heart Rate Control unless a steady, solid Actual Heart Rate value is being displayed. High, wild, random numbers being displayed indicate a problem.

Areas to look for interference which may cause erratic heart rate:

1. Microwave ovens, TV's, small appliances, etc.
2. Fluorescent lights.
3. Some household security systems.
4. Perimeter fence for a pet.
5. Some people have problems with the transmitter picking up a signal from their skin. If you have problems try wearing the transmitter upside down. Normally the transmitter will be oriented so the logo is right side up.
6. The antenna that picks up your heart rate is very sensitive. If there is an outside noise source, turning the whole machine 90 degrees may de-tune the interference.
7. Another Individual wearing a transmitter within 3' of your machine's console.

If you continue to experience problems contact your dealer.

HEART RATE CONTROL PROGRAM OPERATION

Both programs operate the same, the only difference is that **HR1** is set to 60% and **HR2** is set to 80% of the maximum heart rate. They both are programmed the same way.

To start an **HRC** program follow the instructions below or just select the **HR1** or **HR2** program, then the **Enter** button and follow the directions in the **Message Window**.

1. Press the **HR1** or **HR2** key then press the **Enter** key.
2. The **Message Window** will ask you to enter your **Age**. You may enter your **Age**, using the **▲/▼** keys, then press the **Enter** key to accept the new number and proceed on to the next screen.
3. You are now asked to enter your **Weight**. You may adjust the **Weight** number using the **▲/▼** keys, then press **Enter** to continue.
4. Next is **Time**. You may adjust the **Time** and press **Enter** to continue.
5. Now you are asked to adjust your **Target Heart Rate**. This is the heart rate level you will strive to reach and maintain during the program. Adjust the level and then press **Enter**.
NOTE: The heart rate that appears is based on the % you accepted in Step 1. If you change this number it will either increase or decrease the % from Step 2.
6. Now you are finished editing the settings and can begin your workout by pressing the **Start** key. You can also go back and modify your settings by pressing the **Enter** key.
*NOTE: At any time during the editing of Data you can press the **Stop** key to go back one level, or screen.*
7. If you want to increase or decrease the workload at any time during the program press the Level **▲/▼** key. This will allow you to change your target heart rate at any time during the program.
8. During the **HR1** or **HR2** programs you will be able to scroll through the data in the **Message Window** by pressing the adjacent **Display** key.
9. When the program ends you may press **Start** to begin the same program again or **Stop** to exit the program.

GENERAL MAINTENANCE

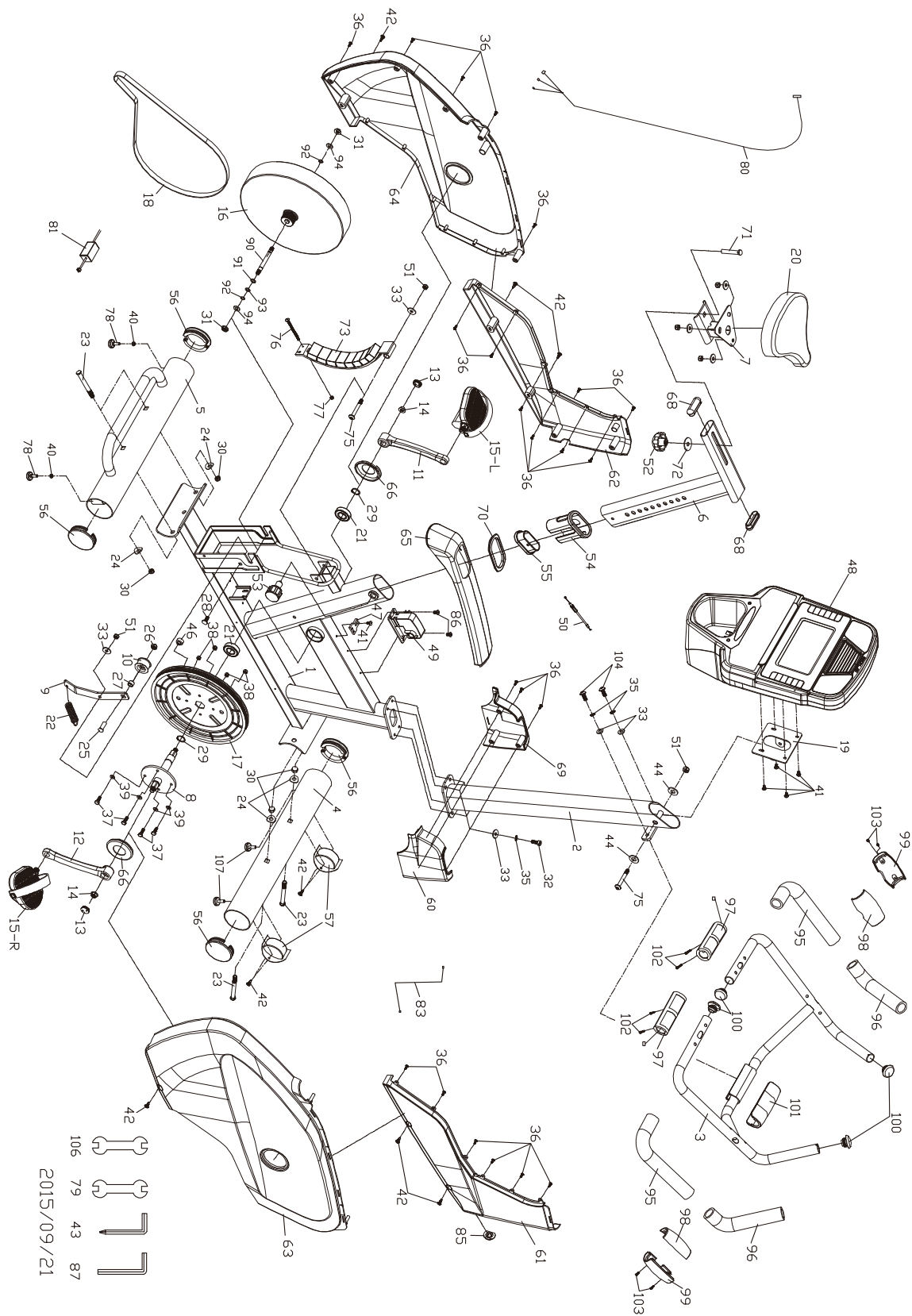
1. Wipe down all areas in the sweat path with a damp cloth after each workout.
2. If a squeak, thump, clicking or rough feeling develops the main cause is most likely one of two reasons:
 - I. The hardware was not sufficiently tightened during assembly. All bolts that were installed during assembly need to be tightened as much as possible. It may be necessary to use a larger wrench than the one provided if you cannot tighten the bolts sufficiently. Ninety percent of calls to the service department for noise issues can be traced to loose hardware.
 - II. The crank arm nut needs to be retightened
 - III. If squeaks or other noises persist, check that the unit is properly leveled. There are 2 leveling pads on the bottom of the rear stabilizer, use a 14mm wrench (or adjustable wrench) to adjust the levelers.

MAINTENANCE MENU IN CONSOLE SOFTWARE

The console has built in maintenance/diagnostic software. The software will allow you to change the console settings from English to Metric and turn off the beeping of the speaker when a key is pressed for example. To enter the Maintenance Menu (may be called Engineering mode, depending on version) press and hold down the **Start**, **Stop** and **Enter** keys. Keep holding the keys down for about 5 seconds and the **Message Window** will display "Engineering mode". Press the **Enter** button to access the menu below. Press the **Level** ▲ / ▼ keys to navigate the menu.

- A. **Key Test**
- B. **Display Test**
- C. **Functions**
 - I. **ODO Reset** - Resets the odometer reading to zero
 - II. **Units** - Choose from English(Imperial) or Metric display readings
 - III. **Display Mode** - Turn off to have the console power down automatically after 30 minutes of inactivity
 - IV. **Motor Test** - Continually runs the tensioning gear motor
 - V. **Manual** - Allows stepping of the gear motor
 - VI. **Pause Mode** - Turn on to allow 5 minutes of pause, turn off to have console pause indefinitely
 - VII. **Key Tone** - Turn on or off the beep sound when a key is pressed
- D. **Security**
- E. **Factory Settings** - For Factory use only
- F. **Exit**

B74 Exploded View Diagram



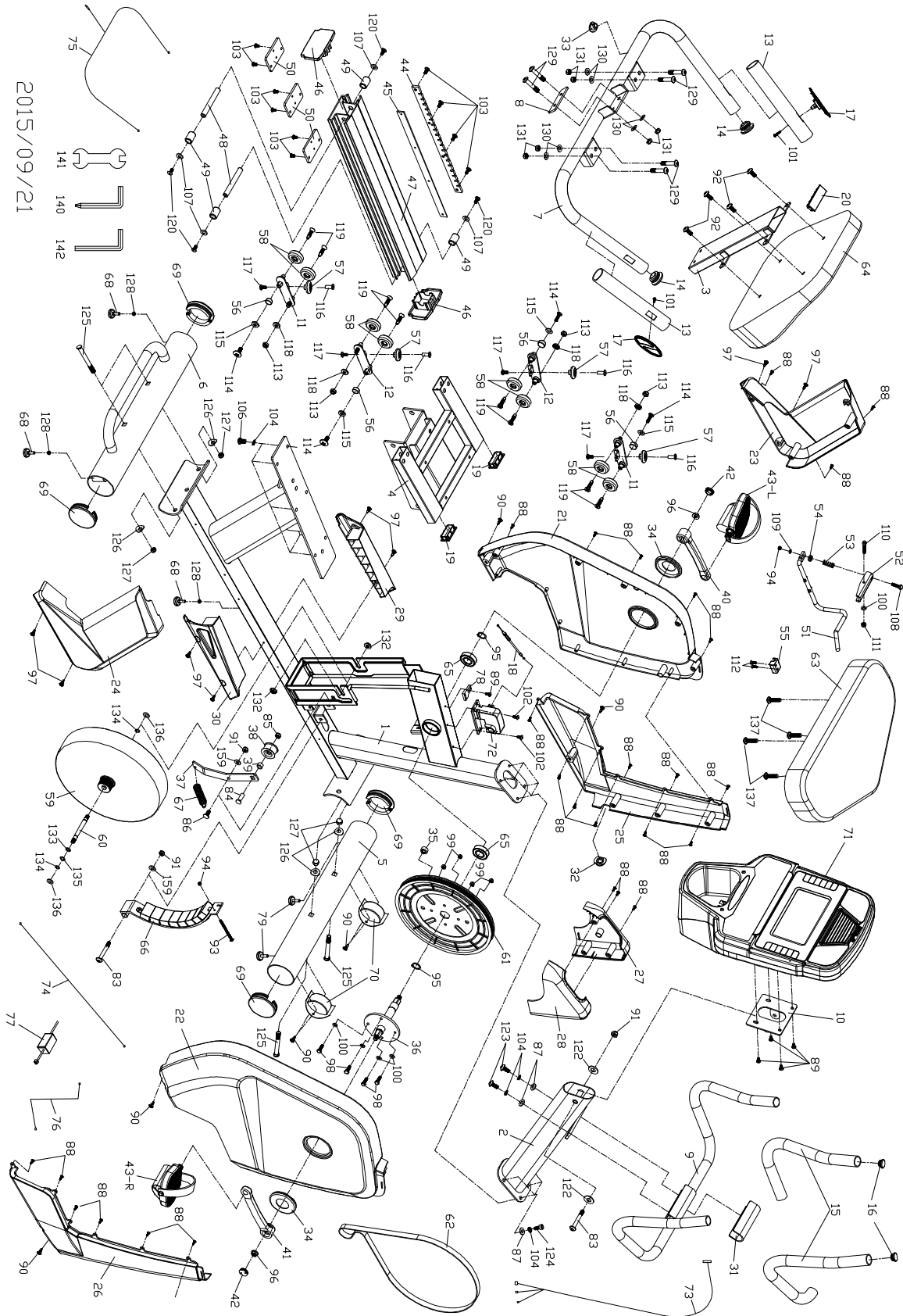
B74 Parts List

NO.	DESCRIPTION	Q'TY
1	Main Frame	1
2	Console Mast	1
3	Handle Bar	1
4	Front Stabilizer	1
5	Rear Stabilizer	1
6	Inner Slide	1
7	Slider	1
8	Crank Axle	1
9	Idler Bracket	1
10	Axle for Idler Wheel	1
11	Crank Arm (L)	1
12	Crank Arm (R)	1
13	Crank Arm End Cap	2
14	M10 x P1.5 x 1.25L_Nut	2
15	Pedal(L.R)	1
16	Flywheel	1
17	Drive Pulley	1
18	Belt	1
19	Console Holder Assembly	1
20	Seat	1
21	6004_Bearing	2
22	Spring	1
23	3/8" x 3-1/2" _Carriage Bolt	4
24	3/8" x 23 x 1.5T_Curved Washer	4
25	3/8" x 27.5L_Carriage Bolt	1
26	3/8" x 7T_Nyloc Nut	1
27	Sleeve	1
28	5/16" x 20L_Carriage Bolt	1
29	Ø20_C Ring	2
30	3/8" x 7T_Cap Nut	4
31	3/8" x UNF26 x 7T_Nut	2
32	5/16" x UNC18 x 3/4" _Socket Head Cap Bolt	4
33	5/16" x Ø18 x 1.5T_Flat Washer	8
35	Ø8 x 1.5T_Spring Washer	6
36	Ø4 x 12L_Sheet Metal Screw	22
37	1/4" x UNC20 x 5/8" _Hex Head Bolt	4
38	1/4" x 5.5T_Nyloc Nut	4
39	1/4" x 13 x 1.0T_Flat Washer	4
40	3/8" x 7T_Nut	2
41	M5 x 12L_Phillips Head Screw	5
42	Ø5 x 16L_Tapping Screw	10
43	Combination M5 Allen Wrench & Phillips Head Screw Driver	1

NO.	DESCRIPTION	Q'TY
44	Ø5/16" x Ø25 x 3T_Nylon Washer	2
46	Magnet	1
47	500m/m_Reed Switch	1
48	Console Assembly	1
49	Gear Motor	1
50	Flywheel Steel	1
51	5/16" x 6T_Nyloc Nut	3
52	Seat Fore/Aft Adjustment Knob	1
53	Knob	1
54	Slider Sleeve	1
55	Slide Spacer	1
56	Stabilizer End Cap	4
57	Transportation Wheel	2
60	Upright Cap (R)	1
61	Front Shroud (R)	1
62	Front Shroud (L)	1
63	Rear Shroud (R)	1
64	Rear Shroud (L)	1
65	Console Mast Connecting Cover Rear	1
66	Crank Arm Cover	2
68	End Cap	2
69	Console Mast Cover (L)	1
70	Seat Post Cover	1
71	3/8" x 1-1/2"_Carriage Bolt	1
72	3/8" x Ø30 x 2.0T_Flat Washer	1
73	Flywheel Magnets Mounting Plate	1
75	5/16" x 2-1/2"_Button Head Socket Bolt	2
76	M5 x 75L_Phillips Head Screw	1
77	M5 x 5T_Nyloc Nut	1
78	Adjustment Foot Pad	2
79	13/15m/m_Wrench	1
80	Computer Cable	1
81	Power Adaptor	1
83	770m/m_Power Cord	1
85	Power	1
86	M5 x 12L_Phillips Head Screw	2
87	L Allen Wrench	1
90	Axle	1
91	Ø12.4 x Ø19 x 0.5T_Flat Washer	1
92	Ø12_C Ring	2
93	Ø12_Wave Washer	1
94	Ø3/8" x Ø19 x 1.5T_Flat Washer	2
95	Ø1" x 285L x 5T_Handgrip Foam	2
96	Ø1" x 170L x 5T_Handgrip Foam	2

NO.	DESCRIPTION	Q'TY
97	Handpulse Assembly	2
98	Handgrip Side Cap (Top)	2
99	Handgrip Side Cap (Bottom)	2
100	Button Head Plug	4
101	Handle Bar Cover	1
102	Ø3" x 20m/m_Tapping Screw	4
103	Ø3" x 10m/m_Tapping Screw	4
104	5/16" x UNC18 x 5/8" _Button Head Socket Bolt	2
106	14/15m/m_Wrench	1
107	Rubber Foot Pad	2

R72 Exploded View Diagram



2015/09/21

R72 Parts List

NO.	DESCRIPTION	Q'TY
1	Main Frame	1
2	Console Mast	1
3	Seat Back Fixing Tube	1
4	Seat Carriage	1
5	Front Stabilizer	1
6	Rear Stabilizer	1
7	Seat Handle Bar	1
8	Bolt Washer	1
9	Mast Handle bar Assembly	1
10	Console Holding Plate	1
11	Wheel Holding Plate	2
12	Wheel Holding Plate	2
13	Ø31.8x 3.0T x 195m/m_Handgrip Foam	2
14	Ø32_Button Head Plug	2
15	Ø1 x 5T x 600m/m_Handgrip Foam	2
16	Ø25.4 x 2.0T_Button Head Plug	2
17	Handpulse Sensor (w/o wire)	2
18	300m/m_Steel Cable	1
19	□25 x 50m/m_Square End Cap	2
20	□75 x 25 x 2.0T_Square End Cap	1
21	Rear Shroud (L)	1
22	Rear Shroud (R)	1
23	Seat Carriage Cover (L)	1
24	Seat Carriage Cover (R)	1
25	Front Shroud (L)	1
26	Front Shroud (R)	1
27	Console Mast Cover (L)	1
28	Console Mast Cover (R)	1
29	Bottom Cover (L)	1
30	Bottom Cover (R)	1
31	Handle Bar Cover	1
32	Power Bracket	1
33	HGP Wire Grommet	1
34	Crank Cover	2
35	Magnet	1
36	Crank Axle	1
37	Idler Bracket	1
38	Axle for Idler Wheel	1
39	Ø15.8 x Ø10 x 9L_Sleeve	1
40	Crank Arm(L)	1
41	Crank Arm(R)	1
42	Crank Arm End Cap	2
43	Pedal Set(L.R)	1

NO.	DESCRIPTION	Q'TY
44	Rack	1
45	Seat Track Fixing Plate	1
46	Aluminum Axle End Cap	2
47	Aluminum Track	1
48	Seat Stop Axle	2
49	Ø13 x Ø19 x 26.5m/m_Spacer for Stopper Axle	4
50	Backing Plate	3
51	Seat Front/Aft Adjustment Lever	1
52	Seat Position Latch	1
53	Spring	1
54	15 x 6 x 4T_Nylon Washer	1
55	Lever Anchor	1
56	Ø5/8" x 13.2 x 8L_Sleeve	4
57	PU Wheel	4
58	Seat Track Wheel	8
59	Flywheel	1
60	Flywheel Axle	1
61	Drive Pulley	1
62	Belt	1
63	Seat	1
64	Seatback Cushion	1
65	6004_Bearing	2
66	Flywheel Magnets Mounting Plate	1
67	Tension Spring, Idler Assembly	1
68	Adjustment Foot Pad	3
69	3" _Stabilizer End Cap	4
70	Transportation Wheel	2
71	Console Assembly	1
72	Gear Motor	1
73	1100m/m_Computer Cable	1
74	2500m/m_Handpulse Wire (Upper)	1
75	Handpulse Wire (Lower)	1
76	770m/m_DC Power Cord	1
77	Power Adaptor	1
78	500m/m_Sensor W/Cable	1
79	Rubber Foot Pad	2
83	5/16" x 2-1/2" _Button Head Socket Bolt	2
84	3/8" x 27.5L_Carriage Bolt	1
85	3/8" x 7T_Nyloc Nut	1
86	5/16" x 20L_Carriage Bolt	1
87	Ø5/16" x Ø12 x 1.0T_Flat Washer	6
88	4 x 12L_Sheet Metal Screw	26
89	M5 x 12L_Phillips Head Screw	5
90	5 x 19L_Tapping Screw	8
91	5/16" x 6T_Nyloc Nut	3

NO.	DESCRIPTION	Q'TY
92	M6 x 10L_Phillips Head Screw	4
93	M5 x 75L_Phillips Head Screw	1
94	M5 x 5T_Nyloc Nut	2
95	Ø20_C Ring	2
96	M10 x 1.25m/m_Nut	2
97	Ø5 x 19L_Tapping Screw	8
98	1/4" x 5/8" _Hex Head Bolt	4
99	1/4" x 5.5L_Nyloc Nut	4
100	1/4" x 13 x 1T_Flat Washer	5
101	Ø4 x 20L_Sheet Metal Screw	2
102	M5 x 12L_Phillips Head Screw	2
103	M5 x 12L_Flat Head Socket Screw	10
104	Ø8 x 1.5T_Split Washer	12
106	5/16" x UNC18 x 3/4" _Hex Head Bolt	6
107	1/4" x 19 x 1.5T_Flat Washer	4
108	M5 x 45L_Socket Head Cap Bolt	1
109	Ø5 x Ø10 x 1.0T_Flat Washer	1
110	M6 x 38L_Socket Head Cap Bolt	1
111	M6 x 6T_Nyloc Nut	1
112	M5 x 25L_Flat Head Socket Screw	2
113	M8 x 7T_Nyloc Nut	4
114	M6 x 10L_Flat Phillips Head Screw	4
115	1/4" x 16 x 1.0T_Flat Washer	4
116	M6 x 19L_Nut	4
117	M6 x 10L_Button Head Socket Bolt	4
118	Ø8 x Ø18 x 3T_Knurled Lock Washer	4
119	M5 x 10. Ø 14 x 2T_Thumb Head Socket Screw	8
120	M6 x 15m/m_Phillips Head Screw	4
122	5/16" x 25 x 3T_Nylon Washer	2
123	5/16" x UNC18 x 5/8" _Button Head Socket Bolt	2
124	5/16" x 3/4" _Socket Head Cap Bolt	4
125	3/8" x UNC16 x 3-1/2" _Carriage Bolt	4
126	Ø10 x Ø23 x 1.5T_Curved Washer	4
127	3/8" x 7T_Cap Nut	4
128	3/8" x 7T_Nut	3
129	3/8" x 1-3/4" _Button Head Socket Bolt	6
130	3/8"x 19 x 1.5T_Flat Washer	6
131	3/8" x 7T_Nyloc Nut	6
132	3/8" x UNF26 x 7T_Nut	2
133	Ø12.4 x Ø19 x 0.5T_Flat Washer	1
134	Ø12_C Ring	2
135	Ø12_Wave Washer	1
136	3/8"x 19 x 1.5T_Flat Washer	2
137	M6 x 35m/m_Phillips Head Screw	4
140	Combination M5 Allen Wrench & Phillips Head Screw Driver	1

NO.	DESCRIPTION	Q'TY
141	14/15m/m_Wrench	1
142	6 x 27 x 120L_L Allen Wrench	1
159	Ø5/16" x Ø18 x 1.5T_Flat Washer	2

