



baja designs
The Scientists of Lighting

XL Pro, XL-R Pro, XL Sport & XL-R Sport



PN: 50-00XX, 53-00XX, 56-00XX, 57-00XX

Installation Instructions

Baja Designs • 185 Bosstick Blvd. • San Marcos • CA • 92069

Phone 760.560.2252 • Fax 760.560.0383 • info@bajadesigns.com

www.bajadesigns.com



baja designs[®]
The Scientists of Lighting

LIMITED LIFETIME WARRANTY

Baja Designs proudly offers a LIFETIME WARRANTY against manufacturer's defect on all of the products that we manufacture.

These are comprehensive warranties; other than the exclusions below – you're covered. If your LED or HID bulb burns out, you're covered. Additionally, cutting off our connector or changing your lenses does not automatically void your warranty.

Exclusions:

Installation errors, abuse, misuse or crash damage. You must be the original owner of the product and be able to supply proof of purchase.

Li-Ion or Li-Po Batteries: carry a 2 year warranty.

NiCad DSK Batteries: carry a 90 day warranty

Dual Sport Kit Switches: carry a 1 year warranty.

Baja Designs manufactures its own products as well as resells products manufactured by others. Baja Designs makes no express or implied warranties on products not manufactured by Baja Designs including without limitation any warranties or merchantability and fitness for a particular purpose. We will however, pass on all warranties made by the manufacturer, who has sole responsibility for performing such warranties.

Baja Designs will pay the freight if your product is less than 90 days old, otherwise defective products must be returned to Baja Designs, Inc., freight prepaid. At our option, we will repair or replace items in question and return them at no charge. If the identical product is no longer available we will replace with a similar product of equal value. Baja Designs Inc. will not be responsible for any indirect or consequential damages in connection with defective merchandise.

Indemnification:

Buyer hereby acknowledges off roading, racing and driving at night are dangerous activities and that the products and/or supplies purchased from Baja Designs are used in an inherently dangerous activity that may endanger life and limb; and in no event shall the seller, or seller's heirs and assigns, be held liable for consequential damages, nor shall seller's liability on any claim for damages arising out of or connected with the sale, delivery, or use of purchased products and/or supplies exceed the purchase price of the products and/or supplies.

Customer satisfaction stands at the core of who Baja Designs is as a company. BD gives you a full 30 days to test out your new light and if you are not 100% satisfied with your purchase, you can send it back for an exchange or refund of the purchase price and applicable tax.



baja designs
The Scientists of Lighting

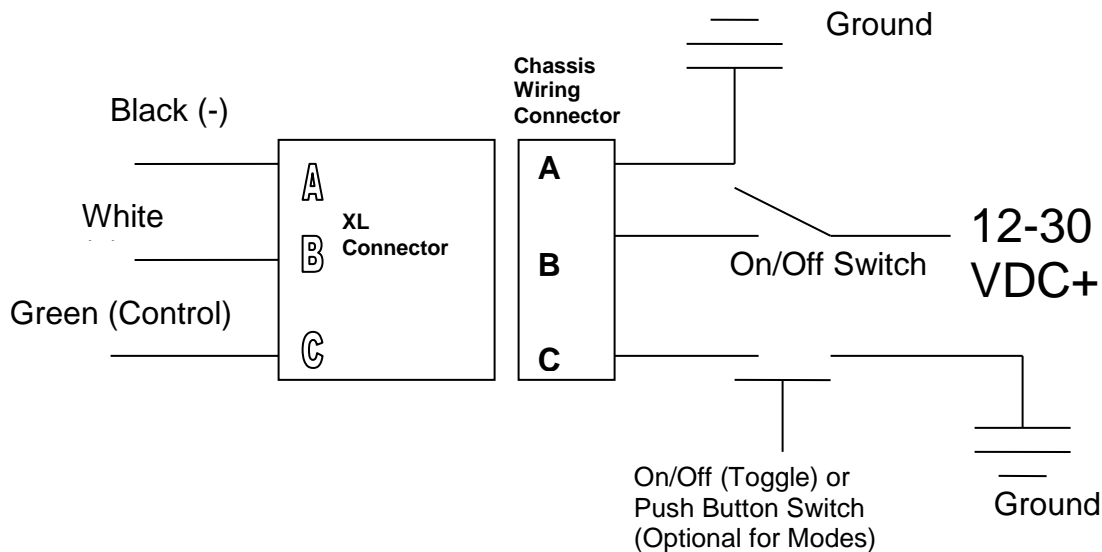
Exclusions:

Items purchased through a Baja Designs authorized dealer must be returned through the dealer. Only available on LED auxiliary lights and product must be in sellable condition at MSRP. Product that has been damaged in any way after the original purchase date will be excluded from this guarantee.

Please read this manual prior to installation.

Thank you for purchasing the Baja Designs. Baja Designs XL Pro, XL-R Pro, XL Sport & XL-R Sport LED auxiliary lights have a microprocessor that performs thermal management of the LED's and allow a **dimming mode**. If you want to use the dimming mode of the light, a separate on/off (toggle) or push button switch is required. If you do not need this feature, then a single standard on/off switch is all that is required.

Connector Wiring (WeatherPak 3 Pin Connector)

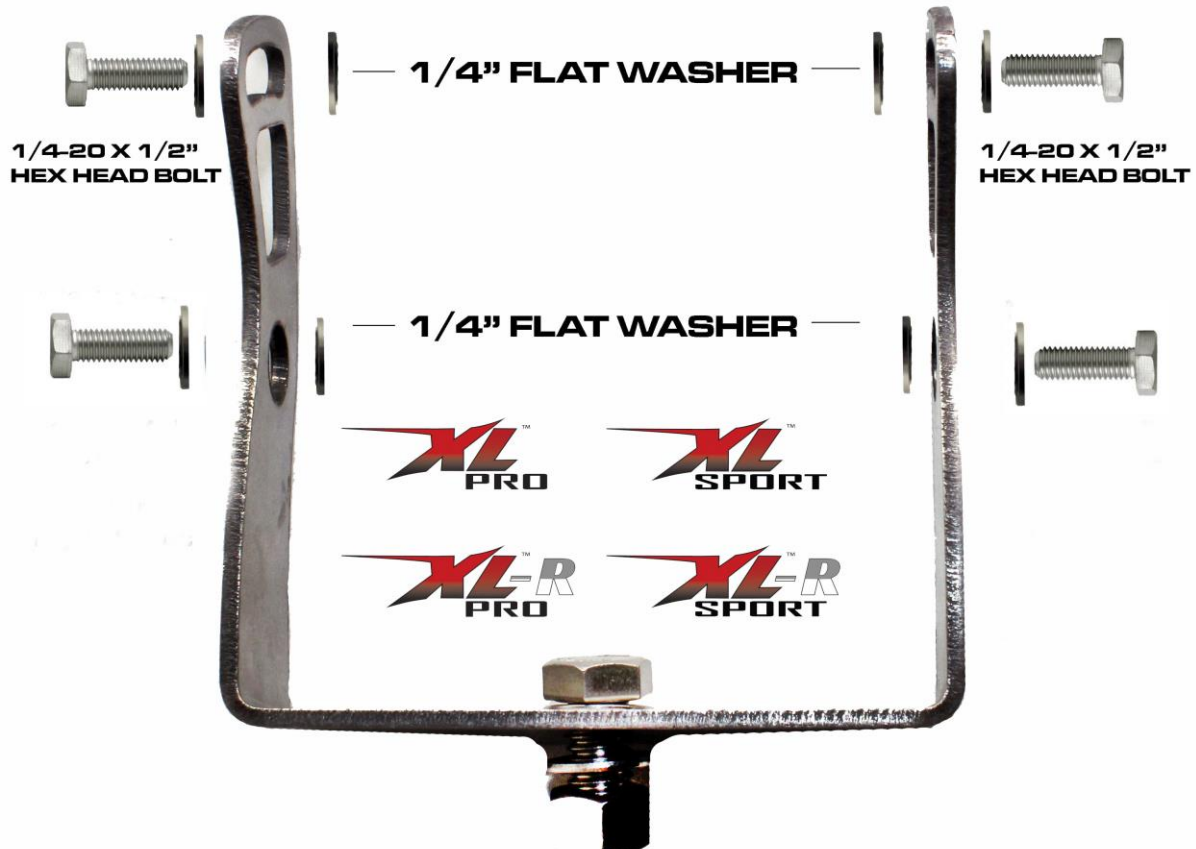


When using the optional On/Off (Toggle) or Push Button Switch, depressing the switch will dim the light to 50% power. Depressing the switch again will toggle back to full power.

Moisture Block: The Moisture Block functions exactly to its name, completely blocking moisture or water from climbing its way down the cord into your LED light. You can even cut the connector off without voiding your warranty.



baja designs
The Scientists of Lighting



Lens Swap Instructions (uService):

- This kit includes optional lenses to swap out for different patterns. These lenses can be installed by simply removing the 4 allen head bolts using a 2.5mm allen wrench on the bezel of the light.
- Remove the o-ring and place it in the lens you'd like to install.
- Make sure that the o-ring is properly fitted when installing the lens onto the housing. The o-ring is not directional and can be installed in any position.
- Reinstalling the bezel will give you a brand new lens and pattern, depending on your preference.
- The bezel should be torqued to 8 ft./lb. in a "criss-cross" pattern.