

International TiLite **TWIST** Order Form

Effective October 1, 2015 (New Items in Red)

ALUMINUM RIGID, GROWABLE FRAME

Page 1 of 7

DEALER INFORMATION		RTS INFORMATION	
Distributor:		RTS:	Phone:
Account:	PO:	Email:	
Ordered By:		SHIP TO INFORMATION	
Email:		Name:	Ship Via:
Mark For:		Address:	
TiLite Information	Promo Code:	City:	State: Zip:
Ship Date:	Order #:	Phone:	Fax:

Please Email to TiLite Customer Service at orders@tilite.com or Fax: +1 509.586.2413



FRAME STYLE

- TWFS2 **TiLite Twist** (Seat Width **A** Grows 2" and Seat Depth **B** Grows 3". Full Adjustability. 165 Pound (75kg) Weight Limit.).....**\$2,495**
- TWFSW7 Abduction Frame with 2" Outward Flare (See drawing on Page 2.).....**\$150**

FRAME FINISHES

- | | | | |
|--------------------------|---|--|--|
| High Gloss Paint | TWFF8 <input type="checkbox"/> Super Wet Black | TWFF10 <input type="checkbox"/> TiLite Red | TWFF29 <input type="checkbox"/> Neon Pink |
| Metallic Paint | TWFF28 <input type="checkbox"/> Neon Green | TWFF15 <input type="checkbox"/> Tangerine Metallic | TWFF16 <input type="checkbox"/> Salsa Red Metallic |
| Pearlescent Paint | TWFF14 <input type="checkbox"/> Ocean Blue Metallic | TWFF18 <input type="checkbox"/> White Pearl | |
| Matte Paint | TWFF30 <input type="checkbox"/> Acid Green Metallic | TWFF20 <input type="checkbox"/> Deep Blue Ice | TWFF27 <input type="checkbox"/> Titanium Grey |
| Candy Paint | TWFF17 <input type="checkbox"/> Midnight Blue Pearl | TWFF23 <input type="checkbox"/> Azure Blue | TWFF25 <input type="checkbox"/> Electric Plum STD |
| | TWFF19 <input type="checkbox"/> Black Lava | | |
| | TWFF22 <input type="checkbox"/> Ruby Red | | |

COLOR ANODIZE PACKAGE

(Color Anodize Package includes: Camber Mount, Caster Mount, Caster Fork, Caster Cap and Footrest Clamp. If no anodize color is selected, the default will be black.)

- TWANO1 Black**STD**
- TWANO5 Sapphire TWANO3 Red Pepper TWANO6 Burnt Orange TWANO7 Sub-Lime TWANO8 Ultraviolet.....**\$155**

TRANSIT TIE-DOWN OPTION

(Please refer to the [Twist Transit Tie-Down Option Brochure](#) for important information regarding the Transit Tie-Down Options.)

- TWTTDO Transit Tie-Down Option (Consists of four Tie-Down Brackets.).....**\$200**



THE ULTIMATE RIDE.®

tilite.com
2701 West Court Street | Pasco, Washington 99301
+1 509.586.6117 Telephone
+1 509.586.2413 Fax

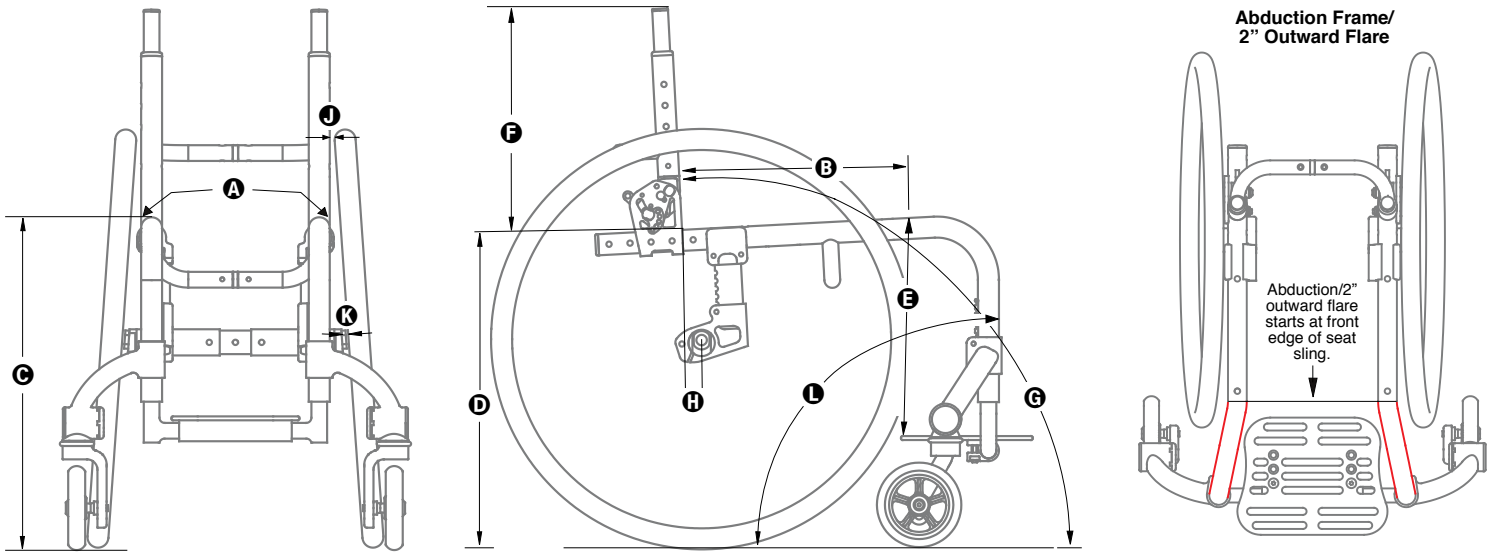
International TiLite **TWIST** Order Form

Effective October 1, 2015 (New Items in Red)

ALUMINUM RIGID, GROWABLE FRAME

Page 2 of 7

FRAME MEASUREMENTS



SEAT WIDTH A Measure from outside of seat tube at back post to the outside of the opposite seat tube at back post. Seat Width grows 2". All upholstery (except cushion) and components (except TiShaft Back Release Bar available at no charge upon request) needed to grow the Twist seat width are included.

- TWSW5 8"-10" (20-25.5cm) 9"-11" (23-28cm) 10"-12" (25.5-30.5cm) 11"-13" (28-33cm)
 12"-14" (30.5-35.5cm) 13"-15" (33-38cm).....**STD**

Default will be smallest Seat Width for selected range. Please use "Set at" for Seat Width other than default. Set at _____ (Use 1" increments)

SEAT DEPTH B Measure from front of back post to the front edge of seat sling. Front edge of seat sling will be 1.5" from the beginning of the bend on No Taper and Tapered Frames, and 2" from the beginning of the bend on Abduction Frames. All Upholstery (except cushion) and components needed to grow the Twist seat depth are included. Seat Depth grows 3".

- TWSD4 8"-11" (20-28cm) (Requires either 18" or 20" rear wheels.) 9"-12" (23-30.5cm) 10"-13" (25.5-33cm)
 11"-14" (28-35.5cm) 12"-15" (30.5-38cm) 13"-16" (33-40.5cm).....**STD**

Default will be shortest Seat Depth for selected range. Please use "Set at" for Seat Depth other than default. Set at _____ (Use 1" increments)

FRONT SEAT HEIGHT C Measure from floor to top of seat tube at front of seat sling. Twist adjusts up and down in 1/2" (1cm) increments. (2" Taper available with 12" - 15" or 13" - 16" Seat Depths)

C only. For 2" Taper Footrest width **D** add 1.5" to minimum Front Seat Height.)

- TWFSH1 13" (33cm) 13.5" (34cm) 14" (35.5cm) 14.5" (37cm) 15" (38cm) 15.5" (39cm) 16" (40.5cm)
 16.5" (42cm) 17" (43cm) 17.5" (44.5cm) 18" (46cm) 18.5" (47cm) 19" (48cm) 19.5" (49.5cm)
 20" (51cm) 20.5" (52cm) 21" (53cm) 21.5" (54.5cm).....**STD**

FRONT SEAT HEIGHT C RANGES

Front Wheel Size	Front Seat Heights for 8"-11" Seat Depth B	Front Seat Heights for 9"-12" Seat Depth B	Front Seat Heights for 10"-13" Seat Depth B	Front Seat Heights for 11"-14" Seat Depth B	Front Seat Heights for 12"-15" Seat Depth B	Front Seat Heights for 13"-16" Seat Depth B
3"	13.0" - 14.5" (33-37cm)	13.5" - 15.0" (34-38cm)	13.0" - 16.0" (33-40.5cm)	14.0" - 17.0" (35.5-43cm)	14.5" - 17.5" (37-44.5cm)	15.5" - 18.5" (39-47cm)
3" Glide™	14.5" - 15.5" (37-39cm)	15.0" - 16.5" (38-42cm)	14.0" - 17.0" (35.5-43cm)	15.0" - 18.0" (38-46cm)	16.0" - 19.0" (40.5-48cm)	16.5" - 19.5" (42-49.5cm)
4"	13.5" - 15.0" (34-38cm)	14.0" - 15.5" (35.5-39cm)	13.5" - 16.5" (34-42cm)	14.0" - 17.5" (35.5-44.5cm)	15.0" - 18.0" (38-46cm)	16.0" - 18.5" (40.5-47cm)
4" Glide™	14.5" - 16.0" (37-40.5cm)	15.5" - 17.0" (39-43cm)	14.5" - 17.5" (37-44.5cm)	15.5" - 18.5" (39-47cm)	16.0" - 19.0" (40.5-48cm)	17.0" - 20.0" (43-51cm)
5"	N/A	N/A	14.0" - 17.0" (35.5-43cm)	14.5" - 17.5" (37-44.5cm)	15.5" - 18.5" (39-47cm)	16.5" - 19.5" (42-49.5cm)

REAR SEAT HEIGHT D Measure from floor to top of seat tube at Back Post. Twist adjusts up and down in 1/2" (1cm) increments.

REAR SEAT HEIGHT RANGES

Rear Wheel Size	Rear Seat Heights D
18"	12" - 17" (30.5-43cm)
20"	13" - 17.5" (33-44.5cm)
22"	14" - 18.5" (35.5-47cm)
24"	15" - 19.5" (38-49.5cm)

TWRSH1 12" (30.5cm) 12.5" (32cm) 13" (33cm) 13.5" (34cm)
 14" (35.5cm) 14.5" (37cm) 15" (38cm) 15.5" (39cm)
 16" (40.5cm) 16.5" (42cm) 17" (43cm) 17.5" (44.5cm)
 18" (46cm) 18.5" (47cm) 19" (48cm) 19.5" (49.5cm).....**STD**

FRONT ANGLE I Measure from frame front to floor.

- TWFA1 70° 80° 90°**STD**

International TiLite **TWIST** Order Form

FRAME MEASUREMENTS

SEAT TO FOOTREST ③/FOOTRESTS Measure from front edge of seat sling to top rear of footrest.

STANDARD FOOTRESTS Measurement must be at least 2" (5cm) shorter than Front Seat Height ④.

- 9" (23cm) 9.5" (24cm) 10" (25.5cm) 10.5" (26.5cm) 11" (28cm) 11.5" (29cm) 12" (30.5cm)
- 12.5" (32cm) 13" (33cm) 13.5" (34cm) 14" (35.5cm) 14.5" (37cm) 15" (38cm) 15.5" (39cm)
- 16" (40.5cm) 16.5" (42cm) 17" (43cm) 17.5" (44.5cm) 18" (46cm) 18.5" (47cm) 19" (48cm)

- TWFTR3 Angle Adjustable Footrest.....**STD**
- TWFTR22 CAT Design Angle Adjustable Footrest (Not available with Footrest Widths ① of 11" (28cm) or greater.).....**\$77**
- TWFTR23 CAT Design Flip-Back Angle Adjustable Footrest (Not available with Footrest Widths ① of 11" (28cm) or greater.).....**\$185**
- TWFTR24 Flip-Back Depth & Angle Adjustable Footrest (Not available when both 13"-15" (33-38cm) Seat Width ④ and Abduction Frame with 2" (5cm) Outward Flare are ordered.).....**\$191**

HIGH MOUNT FOOTRESTS

- 5" (12.5cm) 5.5" (14cm) 6" (15cm) 6.5" (16.5cm) 7" (18cm) 7.5" (19cm) 8" (20cm)
- 8.5" (21.5cm) 9" (23cm) 9.5" (24cm) 10" (25.5cm) 10.5" (26.5cm) 11" (28cm) 11.5" (29cm)
- 12" (30.5cm) 12.5" (32cm) 13" (33cm) 13.5" (34cm) 14" (35.5cm)

- TWFTR4 Angle Adjustable High Mount Footrest.....**\$88**
- TWFTR25 CAT Design Angle Adjustable High Mount Footrest (Not available with Footrest Widths ① of 11" or greater.).....**\$165**
- TWFTR26 CAT Design Flip-Back Angle Adjustable High Mount Footrest (Not available with Footrest Widths ① of 11" or greater.).....**\$273**
- TWFTR27 Flip-Back Depth & Angle Adjustable High Mount Footrest (Not available when both 13"-15" Seat Width ④ and Abduction Frame/2" Outward Flare are ordered.).....**\$278**

SEAT TO FOOTREST ③ RANGES

(2" Taper available with 12" - 15" (30.5-38cm) or 13" - 16" (33-40.5cm) Seat Depths ③ only. Add 1.5" (4cm) to minimum Seat to Footrest ③ Ranges with 2" (5cm) Taper.)

Seat Depth ③	3" Front Wheel		4" Front Wheel		5" Front Wheel	
	Standard Footrest	High Mount Footrest	Standard Footrest	High Mount Footrest	Standard Footrest	High Mount Footrest
8" - 11" (20-28cm)	9.0" - 12.0" (23-30.5cm)	5.0" - 8.0" (12.5-20cm)	9.0" - 12.0" (23-30.5cm)	5.0" - 8.0" (12.5-20cm)	N/A	N/A
9" - 12" (23-30.5cm)	10.0" - 13.0" (25.5-33cm)	6.0" - 9.0" (15-23cm)	10.0" - 13.0" (25.5-33cm)	6.0" - 9.0" (15-23cm)	N/A	N/A
10" - 13" (25.0-33cm)	9.0" - 13.5" (23-34cm)	5.0" - 9.5" (12.5-24cm)	9.0" - 13.5" (23-34cm)	5.0" - 9.5" (12.5-24cm)	9.0" - 14.0" (23-35.5cm)	5.0" - 10.0" (12.5-25.5cm)
11" - 14" (28-35.5cm)	10.0" - 14.5" (25.5-37cm)	6.0" - 10.5" (15-26.5cm)	10.0" - 14.5" (25.5-37cm)	7.0" - 11.5" (18-29cm)	10.0" - 15.0" (25.5-38cm)	6.0" - 11.0" (15-28cm)
12" - 15" (30.5-38cm)	11.0" - 15.0" (28-38cm)	7.0" - 11.5" (18-29cm)	11.0" - 15.0" (28-38cm)	8.0" - 12.5" (20-32cm)	11.0" - 15.5" (28-39cm)	7.0" - 12.0" (18-30.5cm)
13" - 16" (33-40.5cm)	12.0" - 16.0" (30.5-40.5cm)	8.0" - 12.5" (20-32cm)	12.0" - 16.0" (30.5-40.5cm)	7.5" - 12.0" (19-30.5cm)	12.0" - 16.5" (30.5-42cm)	8.0" - 13.0" (20-33cm)

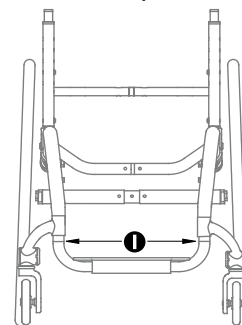
FOOTREST WIDTH ① Select one of the following options: No Taper or 2" (5cm) Taper. Measure from inside of front frame tube to inside of opposite front frame tube.

- TWFSW1 No Taper (2" (5cm) Narrower than Seat Width ④.).....**STD**
- TWFSW4 2" (5cm) Taper (4" (10cm) Narrower than Seat Width ④. Available with 12" - 14" (30.5-35.5cm) or 13" - 15" (33-38.5cm) Seat Widths ④ only. Add 1.5" (4cm) to minimum Seat to Footrest ③ Ranges.).....**NCO**

FOOTREST WIDTH ① (Inside Measurement)

SEAT WIDTH ④ (Outside Measurement)	No Taper (2" Narrower than Seat Width ④)	2" Taper (4" Narrower than Seat Width ④)
8" (20cm)	6" (15cm)	N/A
9" (23cm)	7" (18cm)	N/A
10" (25.5cm)	8" (20cm)	N/A
11" (28cm)	9" (23cm)	N/A
12" (30.5cm)	10" (25.5cm)	8" (20cm)
13" (33cm)	11" (28cm)	9" (23cm)
14" (35.5cm)	12" (30.5cm)	10" (25.5cm)
15" (38cm)	13" (33cm)	11" (28cm)

2" Taper



SEAT BACK TYPE/PUSH HANDLES/SEAT BACK HEIGHT ⑤ Measure from top of back post to top of seat tube at rear of frame.

SEAT BACK TYPE

- TWSB1 Folding Aluminum Adjustable Height with TiShaft Aluminum Back Release Bar.....**STD**
- TWSB11 Seat Back that Locks when Folded.....**NCO**

PUSH HANDLES

- TWSB6 Integrated Push Handles.....**NCO**
- TWSB7 Integrated Fold-Down Push Handles (Requires Tension Adjustable by Straps Back Upholstery.).....**\$103**
- TWSB8 Bolt-On Push Handles (Requires 12"-14" (30.5-35.5cm) or 13"-15" (33-38cm) Seat Width ④ range.).....**\$180**
- TWSB9 Bolt-On Height-Adjustable Push Handles (Requires 12"-14" (30.5-35.5cm) or 13"-15" (33-38cm) Seat Width ④ range.).....**\$304**
- TWSB20 Bolt-On Center Mount Height-Adjustable Push Handle
 - Small 9.25" (23.5cm) Standard 14.25" (36cm) Tall 19.25" (49cm).....**\$165**
- TWSB21 Stroller Handle.....**\$196**

International TiLite **TWIST** Order Form

Effective October 1, 2015 (New Items in Red)

ALUMINUM RIGID, GROWABLE FRAME

Page 4 of 7

FRAME MEASUREMENTS

SEAT BACK HEIGHT **Ⓔ** (Short Seat Back Height **Ⓔ** not available with Flip Back Tubular Armrests. Tall Seat Back Height **Ⓔ** not available with Seat Widths **Ⓔ** of 11"-13" (28-33cm) or smaller.)

Push Handles (Selected Above)	Short	Medium	Tall	Set at: (Use 1/2" increments)
None / Bolt-On/ Stroller Integrated	<input type="checkbox"/> 8.5"- 11.5" (21.5-29cm)	<input type="checkbox"/> 12"- 16.5" (30.5-42cm)	<input type="checkbox"/> 16.5"- 20.5" (42-52cm)	Set at: _____
Integrated	<input type="checkbox"/> 10.5"- 12.5" (26.5-32cm)	<input type="checkbox"/> 13.5"- 16.5" (34-42cm)	<input type="checkbox"/> 17.5"- 20.5" (44.5cm)	Set at: _____
Integrated Fold-Down	<input type="checkbox"/> 13"- 15.5" (33-39cm)	<input type="checkbox"/> 14.5"- 19" (37-48cm)	<input type="checkbox"/> 18.5"- 21" (47-53cm)	Set at: _____

AVAILABLE ON ALL BACKS

TWSB20 Height Adjustable Backrest Rigidizer Bar.....\$140

SEAT BACK ANGLE **Ⓕ** Measure angle from front of back post to floor. 90° will be perpendicular to the floor. To approximate the angle from the back post to the seat, subtract 2 degrees from measurement **Ⓕ** for every 1/2" (1cm) of dump.

TWSBA1 80° 83° 86° 89° 92° 95° 98° 101°.....NCO

REAR WHEEL SPACING **Ⓖ** Measure from outside of seat back post to inside of rear tire. 3/4" Rear Wheel Spacing not available with 0° or 2° Camber **Ⓖ**.

TWRWS1 .75" (2cm) 1" (2.5cm) 1.25" (3cm) 1.5" (4cm) 1.75" (4.5cm) 2" (5cm).....STD
 TWCBR12 Adjustable Rear Wheel Spacing Camber Plugs.....STD
 TWCBR9 Additional Spacers to Increase Rear Wheel Spacing.....NCO

CAMBER **Ⓖ**/CAMBER TUBES

TWCBR1 0° 2° 4° 6° 8° 12°.....STD
 TWCBR15 Aluminum Camber Tube.....STD
 TWCBR13 Camber for Additional Camber Tube 0° 2° 4° 6° 8° 12°.....STD
 TWCBR5 Additional Aluminum Camber Tube.....\$103

CUSTOM CONFIGURATION OPTIONS

FRONT WHEELS

TWFW1 3"x.75" Micro-Caster (Not available with Slipstream Fork or Glide™ Single-Sided Fork.).....STD
 TWFW2 3"x.75" Light-Up Micro-Caster (Not available with Slipstream Fork or Glide™ Single-Sided Fork.).....\$72
 TWFW24 3"x1.5" LiteSpeed Billet Aluminum Wheel w/Soft Roll Tire Silver Hub **OR** Black Hub.....\$160
 TWFW14 4"x.75" Plastic Wheel w/Poly Tire (Not available with Slipstream Fork or Glide™ Single-Sided Fork.).....NCO
 TWFW3 4"x.75" Light-Up Micro-Caster (Not available with Slipstream Fork or Glide™ Single-Sided Fork.).....\$72
 TWFW25 4"x.75" LiteSpeed Billet Aluminum Wheel w/Poly Tire Silver Hub **OR** Black Hub.....\$129
 TWFW26 4"x1.5" LiteSpeed Plastic Wheel w/Soft Roll Tire.....\$82
 TWFW27 4"x1.5" LiteSpeed Billet Aluminum Wheel w/Soft Roll Tire Silver Hub **OR** Black Hub.....\$170
 TWFW6 5"x1" Plastic Wheel w/Poly Tire (Not available with 90° Front Angle **Ⓖ**, Slipstream Fork or Glide™ Single-Sided Fork.).....NCO
 TWFW28 5"x1.5" LiteSpeed Plastic Wheel w/Soft Roll Tire (Not available with 90° Front Angle **Ⓖ**.).....\$82
 TWFW29 5"x.75" LiteSpeed Billet Aluminum Wheel w/Poly Tire Silver Hub **OR** Black Hub
 (Not available with 90° Front Angle **Ⓖ**.).....\$149
 TWFW30 5"x1.5" LiteSpeed Billet Aluminum Wheel w/Soft Roll Tire Silver Hub **OR** Black Hub
 (Not available with 90° Front Angle **Ⓖ**.).....\$191

FRONT FORKS

TWFK1 TiLite Standard Fork.....STD
 TWFK2 TiLite Slipstream Single-Sided Fork.....\$180
 TWGL1 Out-Front Glide® Suspension Forks (Available in Black anodize only. Requires 14.5" (37cm) minimum Front Seat Height **Ⓖ**.).....\$438
 Rider's Weight: 125 lbs (56.5kg). 125-180 lbs. (56.5-81.5kg)
 TWGL2 Out-Front Glide® Single-Sided Suspension Forks (Available in Black anodize only. Requires 14.5" (37cm) minimum Front Seat Height **Ⓖ**.).....\$561
 Rider's Weight: 125 lbs (56.5kg). 125-180 lbs. (56.5-81.5kg)
 TWTS1 Titanium Fork Stems.....\$52

REAR WHEELS (See Rear Seat Height Ranges Chart on Page 2 for Rear Seat Height **Ⓖ** limitations.)

TWRW14 TiLite SHADOW™STD
 18"(400)
 20"(451)
 22"(501)
 24"(540)
 TWRW13 Golz TWIN-STAR Exchange.....\$1025
 24"(540)
 TWRW7 Spinergy SPOX Black Red Yellow Blue White\$695
 22"(501) - Std. Hub
 24"(540) - Std. Hub
 TWRW8 Spinergy LX Black Red Yellow Blue White Go Green Bright Orange Flamingo Pink..\$938
 22"(501) - Std. Hub
 24"(540) - Std. Hub
 TWRW16 Spinergy Carbon Blade (Not available with Heavy Duty Frame.)\$1,395
 24"(540)

International TiLite **TWIST** Order Form

Effective October 1, 2015 (New Items in Red)

ALUMINUM RIGID, GROWABLE FRAME

Page 5 of 7

CUSTOM CONFIGURATION OPTIONS

TWRW15 Topolino CarbonCore.....	\$1,195
<input type="checkbox"/> 24"(540)	
ARRW17 X-Core Mag (Not available with Heavy Duty Frame, Short Tabs, Quad Release Axles or Spoke Guards. Available with Aluminum Sliver Anodized Handrims only.).....	\$98
<input type="checkbox"/> 20"(451)	
<input type="checkbox"/> 22"(501)	
<input type="checkbox"/> 24"(540)	

AXLES

TWAXL1 <input type="checkbox"/> Stainless Quick Release.....	STD
TWAXL2 <input type="checkbox"/> Titanium Quick Release.....	\$232
TWAXL3 <input type="checkbox"/> Quad Release (Not available with Mag Rear Wheels.).....	\$139

PNEUMATIC REAR TIRES

TWRTR1 <input type="checkbox"/> Treaded (Not available with 20" Mag Rear Wheels.).....	STD
TWRTR2 <input type="checkbox"/> Airless Inserts (Not available with 18" Rear Wheels or Topolino Rear Wheels.).....	\$82
TWRTR4 <input type="checkbox"/> Primo (Not available with 18" Rear Wheels or Mag Rear Wheels.).....	NCO
TWRTR16 <input type="checkbox"/> 20"(451) Kenda® Grey High Pressure (110psi) (Not available with Mag Rear Wheels.).....	\$98
TWRTR5 24"(540), 25"(559) and 26"(590) Kenda® High Pressure (110psi) <input type="checkbox"/> Grey <input type="checkbox"/> Red <input type="checkbox"/> Blue (Not available with Mag Wheels.).....	\$98
TWRTR8 <input type="checkbox"/> 24"(540) Schwalbe® Marathon Plus Evolution (Not available with Mag Wheels.).....	\$90
TWRTR9 <input type="checkbox"/> 24"(540) Schwalbe® Slick Tires (Not available with Mag Rear Wheels.).....	\$93

SOLID REAR TIRES

TWRTR10 <input type="checkbox"/> 20"(451) Street Tread.....	\$67
TWRTR11 <input type="checkbox"/> 22"(501) Pyramid.....	\$77
TWRTR18 <input type="checkbox"/> 24"(540) Herringbone Tread (Not available with Topolino Rear Wheels.).....	\$118
TWRTR15 <input type="checkbox"/> 24"(540) Treaded (Not available with Topolino Wheels.).....	\$98

HANDRIMS

Handrims by OUT-FRONT®

TWRIM1 <input type="checkbox"/> Aluminum – Silver Anodized.....	STD
TWRIM21 <input type="checkbox"/> Aluminum – Black Anodized.....	\$52
Titanium (Not available with Mag, 18"(400), 20"(451) or 22"(501) Rear Wheels.)	
TWRIM12 <input type="checkbox"/> Satin Finish.....	\$412
The Natural-Fit® (Original, Larger Profile) (Not available with Mag, 18"(400) or 20"(451) Rear Wheels.)	
TWRIM14 <input type="checkbox"/> Standard Grip (Not available with Short Tabs or Spinergy Carbon Blade Rear Wheels.).....	\$325
TWRIM15 <input type="checkbox"/> Super Grip (Not available with Short Tabs or Spinergy Carbon Blade Rear Wheels.).....	\$370
TWRIM 16 <input type="checkbox"/> Without Thumb Grip.....	\$300
The Natural-Fit® LT (Reduced Weight, Smaller Profile) (Not available with Mag, 18"(400) or 20"(451) Rear Wheels.)	
TWRIM17 <input type="checkbox"/> Standard Grip (Not available with Short Tabs or Spinergy Carbon Blade Rear Wheels.).....	\$355
TWRIM18 <input type="checkbox"/> Super Grip (Not available with Short Tabs or Spinergy Carbon Blade Rear Wheels.).....	\$400
TWRIM19 <input type="checkbox"/> Without Thumb Grip.....	\$330
TWRIM10 <input type="checkbox"/> The Surge (All-In-One Oval with Gription™ Strip, Larger Profile) (Not available with Mag, 18"(400) or 20"(451) Rear Wheels.).....	\$335
TWRIM11 <input type="checkbox"/> The Surge LT (All-In-One Oval with Gription™ Strip, Smaller Profile) (Not available with Mag, 18"(400) or 20"(451) Rear Wheels.).....	\$366
TWRIM20 <input type="checkbox"/> Q-Grip (Exclusive High-Friction, Anti-Slip Coating) (Not available with 18"(400), 20"(451) or Mag Rear Wheels.).....	\$304

Additional Handrims



TWRIM9 <input type="checkbox"/> Spinergy FlexRim (Available only on 24"(540) Spinergy LX Rear Wheels. Please allow an additional 2-3 weeks delivery.).....	\$618
TWRIM5 <input type="checkbox"/> Plastic Coated – Black (Not available with Mag or 18" Rear Wheels.).....	\$114
TWRIM6 <input type="checkbox"/> Projections - 8 Vertical Projections (Not available with 18"(400), 20"(451), 22"(501), Carbon Blade or Mag Rear Wheels.).....	\$335

Tab Length

TWRIM7 <input type="checkbox"/> Long Tabs.....	STD
TWRIM8 <input type="checkbox"/> Short Tabs (Not available with Mag Rear Wheels or The Natural-Fit® Handrims with Thumb Grip.).....	\$21

WHEEL LOCKS

Wheel Locks by OUT-FRONT®

TWWLK7 <input type="checkbox"/> Compact Composite Push to Lock (Available with .75" to 1.5" (2 to 4cm) Rear Wheel Spacing  only.).....	NCO
TWWLK8 <input type="checkbox"/> Compact Composite Pull to Lock (Available with .75" to 1.5" (2 to 4cm) Rear Wheel Spacing  only.).....	NCO
TWWLK10 <input type="checkbox"/> Extension Handles for Composite Push/Pull to Lock.....	\$77
TWWLK9 <input type="checkbox"/> Composite Scissor Lock.....	\$129

Additional Wheel Locks

TWWLK3 Uni-Lock Set At: <input type="checkbox"/> Push OR <input type="checkbox"/> Pull.....	\$149
TWWLK4 <input type="checkbox"/> Extension Handles for Uni-Lock.....	\$77

International TiLite **TWIST** Order Form

Effective October 1, 2015 (New Items in Red)

ALUMINUM RIGID, GROWABLE FRAME

Page 6 of 7

CUSTOM CONFIGURATION OPTIONS

BACK UPHOLSTERY

TWBUP2 <input type="checkbox"/> Velcro Adjustable (Not available with Fold-Down Push Handles.).....	STD
Tension Adjustable by Straps (Required with Fold-Down Push Handles.)	
TWBUP3 <input type="checkbox"/> Padded Nylon.....	\$98
TWBUP5 <input type="checkbox"/> AIR Breathable Upholstery (Not available with Ultrasuede Backrest Stripe.).....	\$180
TWUPC3 Ultrasuede Backrest Stripe <input type="checkbox"/> Black <input type="checkbox"/> Sapphire <input type="checkbox"/> Red Pepper <input type="checkbox"/> Burnt Orange <input type="checkbox"/> Sub-Lime	
<input type="checkbox"/> Ultraviolet <input type="checkbox"/> Espresso (Not available with AIR Breathable Back Upholstery.).....	\$93
TWUPC3 <input type="checkbox"/> TiLite NiteLite Reflective Backrest Stripe (Not available with AIR Breathable Back Upholstery.).....	\$93
TWBUP0 <input type="checkbox"/> Omit Back Upholstery.....	NCO

SEAT UPHOLSTERY

TWSUP1 <input type="checkbox"/> Tension Adjustable Bolt On (Black only.).....	STD
TWSUP5 <input type="checkbox"/> Aluminum Solid Seat (Not growable.).....	\$232
TWSUP0 <input type="checkbox"/> Omit Seat Upholstery.....	NCO



SEAT CUSHIONS

TWCSH1 Foam Cushion <input type="checkbox"/> 2" (5cm) <input type="checkbox"/> 3" (7.5cm) <input type="checkbox"/> 4" (10cm).....	\$102
---	--------------

SIDE GUARDS

TWSDG1 <input type="checkbox"/> Cloth.....	\$88
Aluminum	
TWSDG2 <input type="checkbox"/> Rigid Removable <input type="checkbox"/> Xtra Small OR <input type="checkbox"/> Small OR <input type="checkbox"/> Std.....	\$180
TWSDG3 <input type="checkbox"/> Quad Removable w/Hole <input type="checkbox"/> Small OR <input type="checkbox"/> Std.....	\$191
TWSDG14 <input type="checkbox"/> Fendered Side Guard with Integrated Push to Lock Wheel Lock (Requires 18" (400) - 22" (501) Rear Wheels and 1" (2.5cm) minimum Rear Wheel Spacing. 22" Rear Wheels require minimum Rear Seat Height of 16".....)	\$355
Carbon Fiber	
TWSDG7 <input type="checkbox"/> Rigid Removable <input type="checkbox"/> Small OR <input type="checkbox"/> Std.....	\$278
TWSDG8 <input type="checkbox"/> Quad Removable w/Hole <input type="checkbox"/> Small OR <input type="checkbox"/> Std.....	\$288
TWSDG12 <input type="checkbox"/> Fendered Removable.....	\$407
Available on Aluminum and Carbon Fiber Non-Fendered Side Guards	
TWSDG13 <input type="checkbox"/> Side Guards Custom Cut to Profile of Rear Wheels (Not available with Cloth.).....	\$283

ARMRESTS (Desk Arms come with built-in Side Guards.)

TWARM1 <input type="checkbox"/> Swing Away Tubular.....	\$201
TWARM4 <input type="checkbox"/> Flip Back Tubular (Requires Tension Adjustable by Straps Back Upholstery. Not available with Short Seat Back Height ).....	\$283
TWARM2 <input type="checkbox"/> Removable Height Adjustable Pediatric Desk Arm with Rigid Side Guard (Requires 10" (25.5cm) minimum Seat Depth ).....	\$304
<input type="checkbox"/> Standard Length Pad (10" (25.5cm))	
Available Armrest Option	
TWARM5 <input type="checkbox"/> Covered in Black Ultrasuede (Not available with Desk Arms).....	\$98

SEAT BELTS

TWBLT1 <input type="checkbox"/> Velcro Adjustable, Black Nylon Webbing.....	\$46
TWBLT2 <input type="checkbox"/> Bodypoint® 2" (5cm) Push-Button Buckle (Auto-Style.).....	\$88
TWBLT4 <input type="checkbox"/> Bodypoint® 1" (2.5cm) Wide Push-Button Buckle Padded (Auto-Style.)	\$170
TWBLT5 <input type="checkbox"/> Bodypoint® 1.5" (4cm) Wide Push-Button Buckle Padded (Auto-Style.)	\$160
TWBLT6 <input type="checkbox"/> Bodypoint® 1.5" (4cm) Wide Rehab Latch Buckle Padded (Airline-Style.)	\$165
TWBLT7 <input type="checkbox"/> Bodypoint® 1.5" (4cm) Wide Plastic Side Release Padded	\$124
TWBLT9 <input type="checkbox"/> Bodypoint® Evoflex Pelvic Stabilizer.....	\$216
TWBLT10 <input type="checkbox"/> Bodypoint® Optional Band Clamp Mounting Hardware.....	\$21

CALF STRAP

TWCLF2 Velcro Adjustable	\$36
<input type="checkbox"/> Xtra Small (Recommended for 6"- 9" (15cm-23cm) Footrest Widths)	
<input type="checkbox"/> Small (Recommended for 9"- 12" (23-30.5cm) Footrest Widths)	
<input type="checkbox"/> Medium (Recommended for 11"- 15" (28-38cm) Footrest Widths)	
TWCLF3 Bodypoint Padded Velcro Adjustable	\$93
<input type="checkbox"/> Small (Recommended for 8"- 11" (20-28cm) Footrest Widths)	
<input type="checkbox"/> Medium (Recommended for 12"- 15" (30.5-38cm) Footrest Widths)	
TWCLF1 <input type="checkbox"/> Buckle Adjustable, Black Nylon Webbing.....	\$26

BACK PACK

TWBCK1 <input type="checkbox"/> Small - Black Nylon	\$52
TWBCK2 <input type="checkbox"/> Large - Black Nylon.....	\$67

SEAT POUCH

TWPCH1 <input type="checkbox"/> Small - Black Nylon.....	\$44
TWPCH2 <input type="checkbox"/> Large - Black Nylon.....	\$50

International TiLite **TWIST** Order Form

Effective October 1, 2015 (New Items in Red)

ALUMINUM RIGID, GROWABLE FRAME

Page 7 of 7

CUSTOM CONFIGURATION OPTIONS

SPOKE GUARDS

TWGRD1 <input type="checkbox"/> Clear with TiMotion Logo (Not available with Mag Rear Wheels.).....	\$118
TWGRD2 <input type="checkbox"/> Scooter Frog (Requires Shadow Rear Wheels. Not available with 18" Rear Wheels.).....	\$283
TWGRD3 <input type="checkbox"/> Color Spectrum (ROYGBIV) on Black (Requires Shadow Rear Wheels. Not available with 18" Rear Wheels.).....	\$283
TWGRD4 <input type="checkbox"/> Purple Party (Requires Shadow Rear Wheels. Not available with 18" Rear Wheels.).....	\$283

ANTI-TIPS

TWTIP1 <input type="checkbox"/> Black Aluminum (Seat Widths A of 8" to 10" (20 to 25.5cm), 9" to 11" (23 to 28cm) or 10" to 12" (25.5 to 30.5cm) will ship with the Center Mount Single Non-Swivel Caster (TWTIP6) at no additional cost when Black Aluminum (TWTIP1) is selected.).....	\$144
TWTIP7 <input type="checkbox"/> Black Aluminum Single.....	\$72
Mount on <input type="checkbox"/> Left Side or <input type="checkbox"/> Right Side	NCO
TWTIP2 <input type="checkbox"/> User Friendly Flip-up (Requires 12" to 14" (30.5-35.5cm) or 13" to 15" (33-38cm) Seat Widths A range.).....	\$304
TWTIP8 <input type="checkbox"/> User Friendly Flip-up Single.....	\$152
Mount on <input type="checkbox"/> Left Side or <input type="checkbox"/> Right Side	NCO
TWTIP5 <input type="checkbox"/> Center Mount Swivel Caster Anti-Tip.....	\$232
TWTIP6 <input type="checkbox"/> Center Mount Non-Swivel Caster Anti-Tip.....	\$206

ACCESSORIES

TWUEST1 Upper Extremity Support Tray <input type="checkbox"/> 12" to 14" (30.5cm-36cm) OR <input type="checkbox"/> 13" to 15" (33cm-38cm) Seat Widths A (Requires Armrests.).....	\$258
TWGS1 <input type="checkbox"/> GRIP Solutions Lap Board.....	\$88
TWMPCT2 Neoprene Impact Guards with Ultrasuede Stripe <input type="checkbox"/> Black <input type="checkbox"/> Sapphire <input type="checkbox"/> Red Pepper <input type="checkbox"/> Burnt Orange <input type="checkbox"/> Sub-Lime <input type="checkbox"/> Ultraviolet <input type="checkbox"/> Espresso.....	\$93
TWMPCT2 <input type="checkbox"/> TiLite NitelLite Neoprene Impact Guards with Reflective Stripe.....	\$93
TWCH1 <input type="checkbox"/> Crutch Holder.....	\$129
TWHS1 <input type="checkbox"/> TiLite 9 Piece SAE Round Handle Folding Hex Key Set.....	STD
TWHS2 <input type="checkbox"/> Additional TiLite 9 Piece SAE Round Folding Hex Key Set.....	\$26
TWKBH1 TWIST Baseball Hat <input type="checkbox"/> Dark Blue with Sapphire Stitching <input type="checkbox"/> Pink with Hot Pink Stitching.....	NCO

DESIGNS UNLIMITED

TiLite's TWIST offers millions of different frame combinations! But sometimes even that's not enough. If you would like to customize your TiLite, check out the Designs Unlimited Studio at tilite.com. There you will find drawings and pricing for hundreds of creative solutions to customers' customization requests. We call these "D.U.'s." If you don't find the D.U. you're looking for, contact the TiLite Customer Service Team at 800.545.2266 or customerservice@tilite.com and we'll design a D.U. just for you. Designs Unlimited customization may add an additional 2 to 3 weeks to the ship time of your chair.

GENERAL

TiLite manufactures a wide variety of wheelchairs to meet the varied needs of wheelchair users. The final selection of a particular model, its options and accessories, and its measurements rests solely with the wheelchair user and advising healthcare professional.

Get the latest order forms at tilite.com. Prices, standard features, options and accessories are subject to change without notice. All rights reserved. Trademarks are identified by symbols™ and ®. TiLite, TiFit, the TiLite logo, Ti, the Ti logo, The Titanium Experts, TiShaft and The Ultimate Ride are registered trademarks of TiSport, LLC and are licensed to TiLite, LLC. Adobe®, Acrobat®, Acrobat Professional® and Reader® are registered trademarks of Adobe Systems Inc. Bodypoint® is a registered trademark of Bodypoint Inc. Kenda® is a registered trademark of Kenda Rubber Industrial Co. Ltd. Ride Designs® and Corbac® are registered trademarks of Aspen Seating, LLC. ROHO®, Low Profile® and Quadro Select® are registered trademarks of ROHO Inc. Schwalbe® is a registered trademark of Ralf Bohle GmbH. Supracor®, Stimulite® and Corbee® are registered trademarks of Supracor, Inc. The Natural-Fit® is a registered trademark of Three Rivers Holdings, LLC. Varilite® is a registered trademark of Cascade Designs, Inc.

NOTES

QUOTE THIS CHAIR	If you are using Adobe Acrobat, this order form may be converted into a quote request or into an order by clicking one of the buttons (this feature is available exclusively to TiLite dealers and distributors). A TiLite Quote or a TiLite Order Confirmation will be sent to you within 24 hours.	ORDER THIS CHAIR
-------------------------	--	-------------------------