

ASSEMBLY INSTRUCTIONS

Re 38" Semi-Flush Mount

Item # SK4051

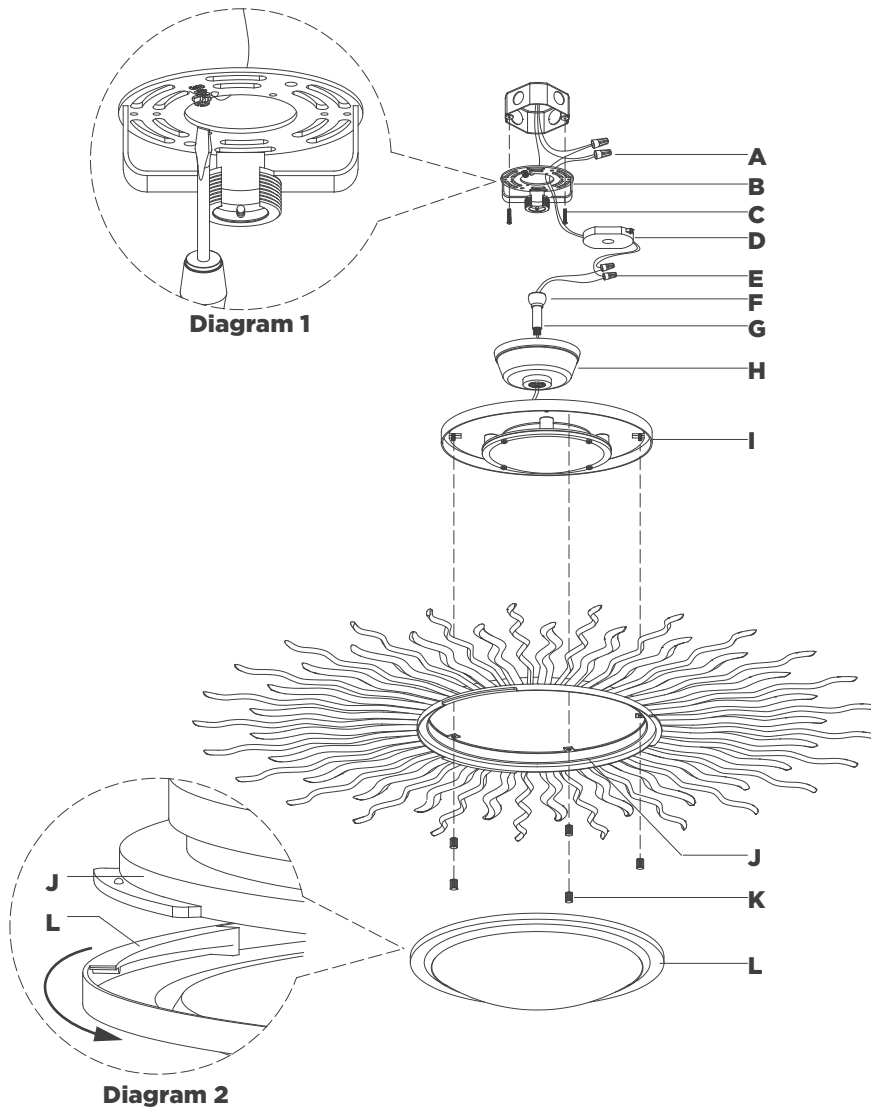
NOTICE:

This light fixture should be installed in accordance with all applicable, local installation codes, and by a person familiar with the construction and operation of it, as well as the hazards involved. Inspect item and contents carefully. If any damage or defect is found, do not install. Retain all packaging material until installation is complete and approved.

TOOLS REQUIRED (NOT INCLUDED):

Phillips Screwdriver

Slotted Screwdriver



1. Carefully remove all parts from the box. Place on a clean, soft surface.
2. Remove mounting plate (B) from canopy (H) by unscrewing.
3. Install mounting plate (B) to the junction box and secure with mounting screws (C).
4. Connect supply ground wire (usually green or bare copper) around the green grounding screw (see diagram 1). Tighten.
NOTE: It is imperative that the fixture is grounded.
5. Feed wires through canopy (H) and rod (G), then thread rod (G) to fixture (I).
6. Hang fixture swivel ball (F) to center of mounting plate (B).
7. Cut excess wire, being sure to leave enough to reach the junction box. Separate wires, and strip insulation on each 5/8".
8. Connect fixture neutral wire (black) to driver (D) output wire (black) using wire nut (E).
9. Connect fixture hot wire (red) to driver (D) output wire (red) using wire nut (E).
10. Connect driver (D) input neutral wire (white) to the supply neutral wire (usually white) using wire nut (A).

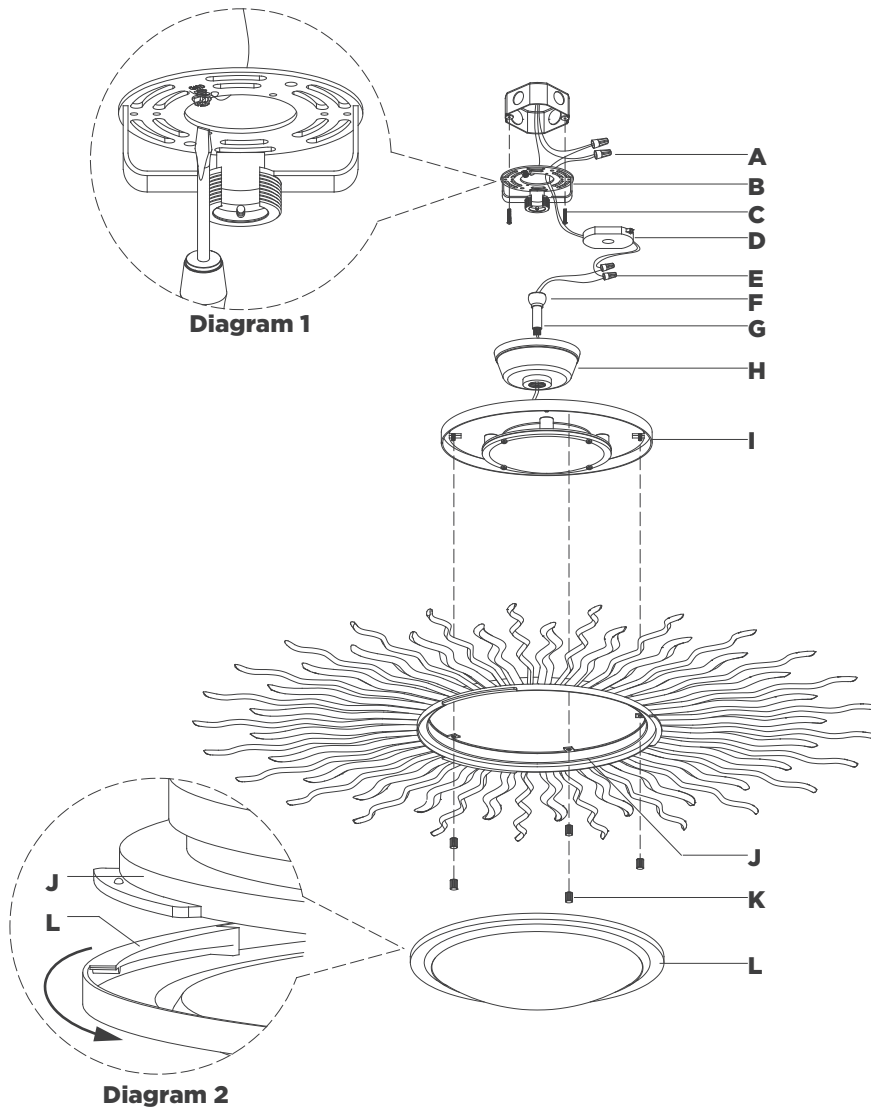
ASSEMBLY INSTRUCTIONS

Re 38" Semi-Flush Mount

Item # SK4051

NOTICE:

This light fixture should be installed in accordance with all applicable, local installation codes, and by a person familiar with the construction and operation of it, as well as the hazards involved. Inspect item and contents carefully. If any damage or defect is found, do not install. Retain all packaging material until installation is complete and approved.



11. Connect driver **(D)** input hot wire (black) to the supply hot wire (usually black) using wire nut **(A)**.

CAUTION: Do not reverse the hot and neutral connections.

12. Make sure all wire connections are tight, then carefully tuck into the junction box.
13. Insert driver **(D)** into the mounting plate **(B)** bracket.
14. Thread canopy **(H)** to mounting plate **(B)**.
15. Install metal shade **(J)** to fixture body **(I)** and secure with thumbscrews **(K)**.
16. Install glass shade **(L)** to metal shade **(J)** and secure by rotating clockwise (see diagram 2).

CARE INSTRUCTIONS: Clean only with a soft dry cloth or feather duster. Do not use abrasive or chemical agents.