

ASSEMBLY INSTRUCTIONS

Elias 13" Floating Pendant

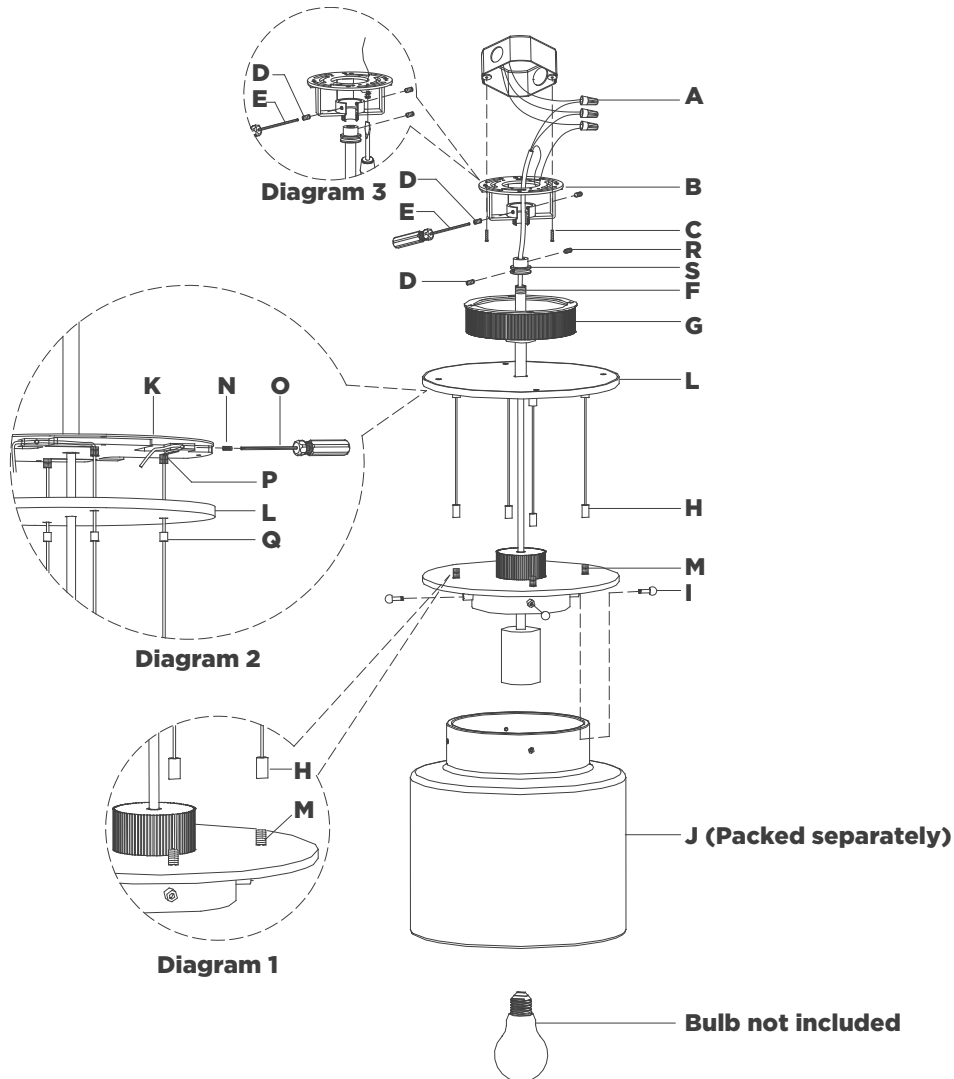
Item # RB5081

NOTICE:

This light fixture should be installed in accordance with all applicable, local installation codes, and by a person familiar with the construction and operation of it, as well as the hazards involved. Inspect item and contents carefully. If any damage or defect is found, do not install. Retain all packaging material until installation is complete and approved.

TOOLS REQUIRED (NOT INCLUDED):

Phillips Screwdriver	Slotted Screwdriver	Wire Strippers
Wire Cutters	Measuring Tape	



1. Carefully remove all parts from the box. Place on a clean, soft surface.
2. Remove canopy (**G**) from mounting plate (**B**).
3. Install mounting plate (**B**) to the junction box and secure with mounting screws (**C**).
4. Thread cable nuts (**H**) on threaded nipple (**M**) (see diagram 1).
5. Remove metal plate (**K**) from fixture body (**L**) by loosening caps (**Q**) (see diagram 2).
6. Loosening set screws (**N**) from wire strain relief on metal plate (**K**) using provided screwdriver (**O**), then adjust hanging cables to desired length.
7. After fixture height is achieved shorten the hanging cables by using a pair of cutters (not included), then re-secure the set screws (**N**).
NOTE: Make sure fixture height and fixture level are accurate before cutting wires.
8. Install metal plate (**K**) to fixture body (**L**) by threading caps (**Q**) to nipples (**P**).

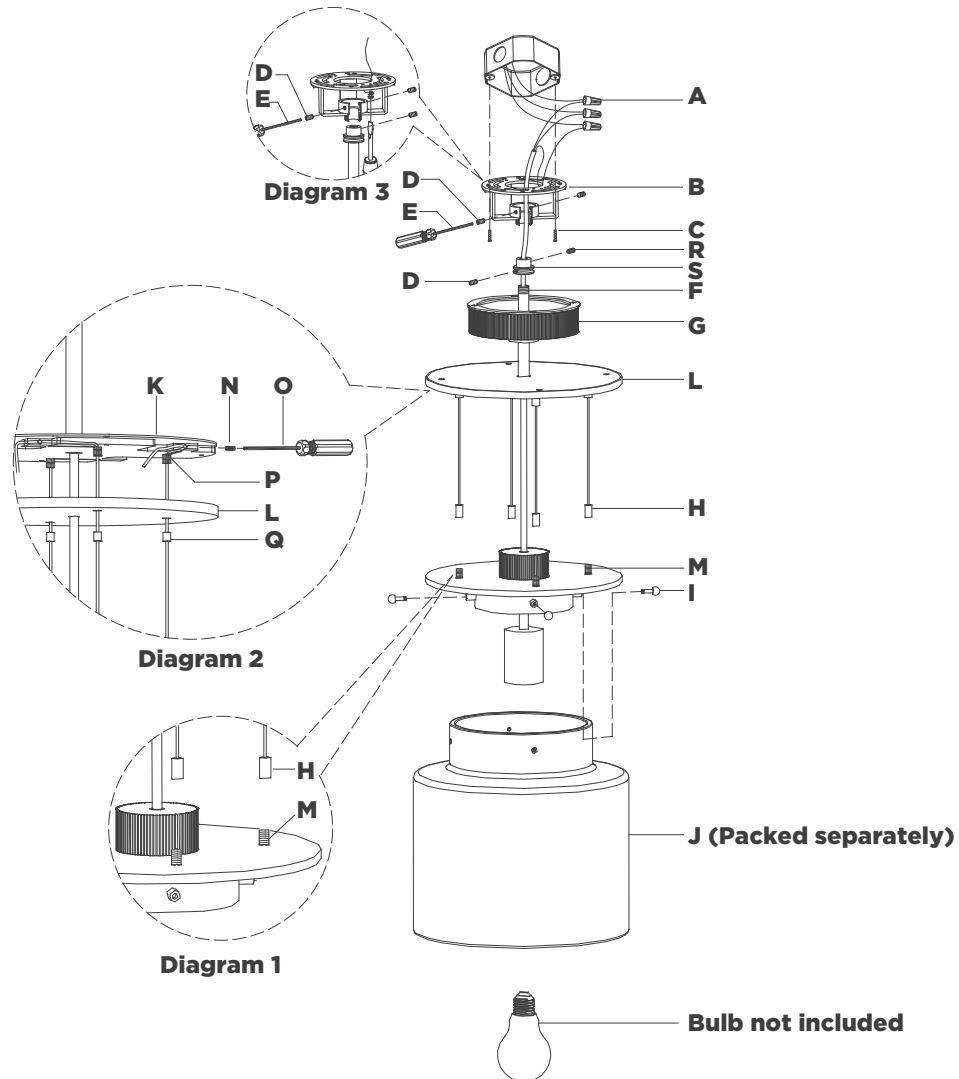
ASSEMBLY INSTRUCTIONS

Elias 13" Floating Pendant

Item # RB5081

NOTICE:

This light fixture should be installed in accordance with all applicable, local installation codes, and by a person familiar with the construction and operation of it, as well as the hazards involved. Inspect item and contents carefully. If any damage or defect is found, do not install. Retain all packaging material until installation is complete and approved.



9. Remove fan mount (**S**) from rod (**F**) by removing set screw (**D**) using provided screwdriver (**E**).
10. Feed fixture wire through fixture body (**L**), rod (**F**), canopy (**G**) and fan mount (**S**).
11. Holding fixture upright, slide canopy (**G**) down rod (**F**) and rest on fixture body (**L**).
NOTE: Slide components down slowly to avoid damage.
12. Thread fan mount (**S**) to rod (**F**) and secure with set screw (**D**) using provided screwdriver (**E**).
13. Adjust fixture wires to desired length, then fixed fixture wire by securing screws (**R**).
14. After fixture height is achieved shorten the wires by using a pair of cutters (not included), leaving enough length to connect to junction box.
15. Remove outer housing of wire by making a neat cut all the way around, about 1" from the end. Once cut is made, remove and discard the 1" piece of housing, exposing the electrical wires.
NOTE: Make sure not to cut too deep into housing or electrical wires could become damaged.
16. Separate wires, and strip insulation on each 5/8".
17. Hang fixture fan mount (**S**) to the center of mounting plate (**B**) and secure with set screw (**D**) using provided wrench (**E**) (see diagram 3).

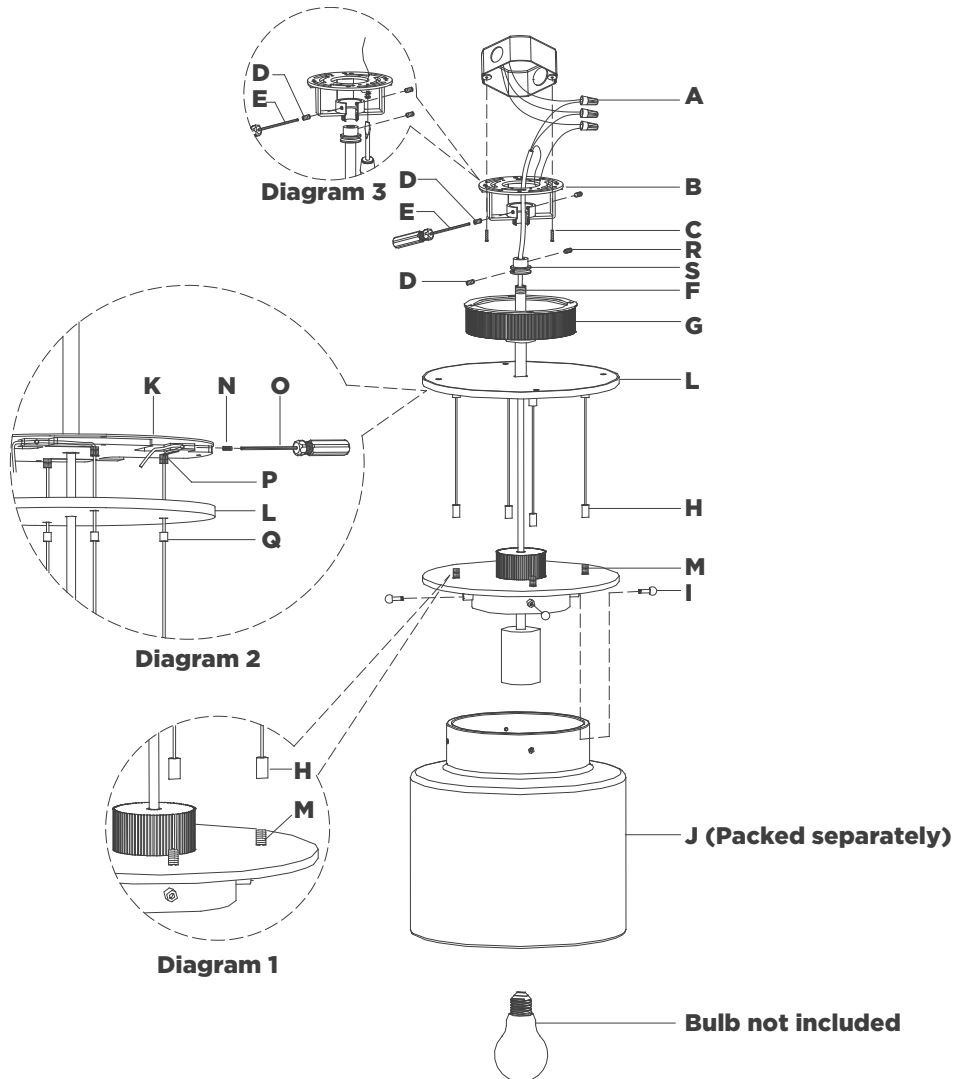
ASSEMBLY INSTRUCTIONS

Elias 13" Floating Pendant

Item # RB5081

NOTICE:

This light fixture should be installed in accordance with all applicable, local installation codes, and by a person familiar with the construction and operation of it, as well as the hazards involved. Inspect item and contents carefully. If any damage or defect is found, do not install. Retain all packaging material until installation is complete and approved.



18. Wrap fixture ground wire (bare copper) around the green grounding screw (see diagram 3). Tighten. Continue fixture ground wire and connect to supply ground wire (usually green or bare copper) using wire nut **(A)**.
NOTE: It is imperative that the fixture is grounded.
19. Connect fixture neutral wire (white) to the supply neutral wire (usually white) using wire nut **(A)**.
20. Connect the fixture hot wire (black) to the supply hot wire (usually black) using wire nut **(A)**.
CAUTION: Do not reverse the hot and neutral connections.
21. Make sure all wire connections are tight, then carefully tuck into the junction box.
22. Thread canopy **(G)** to mounting plate **(A)**.
23. Remove thumbscrews **(I)** from fixture, then install shade **(J)** to fixture and secure with thumbscrews **(I)**.
NOTE: Do not overtighten otherwise shade could become damaged.
24. Install light bulb into the socket.

CARE INSTRUCTIONS: Clean only with a soft dry cloth or feather duster. Do not use abrasive or chemical agents.