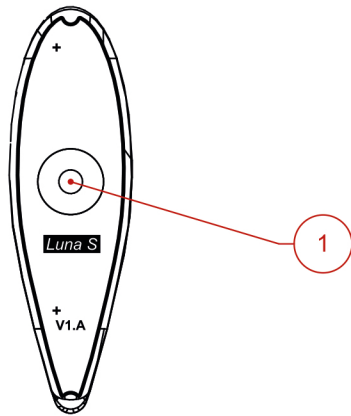
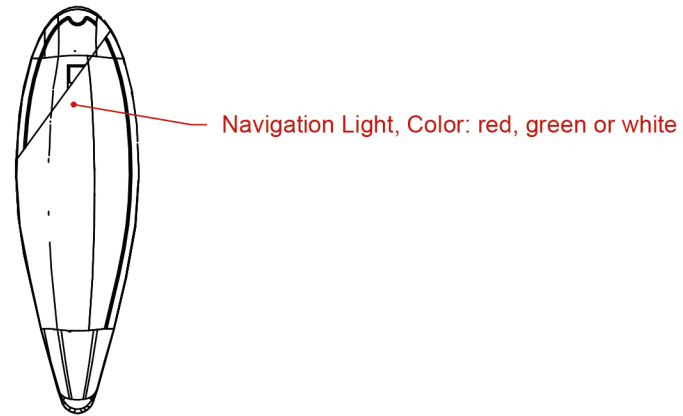


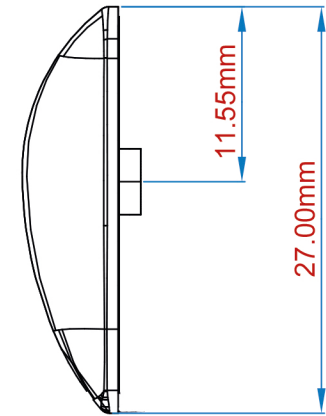
View from Bottom side (Scale 2:1)



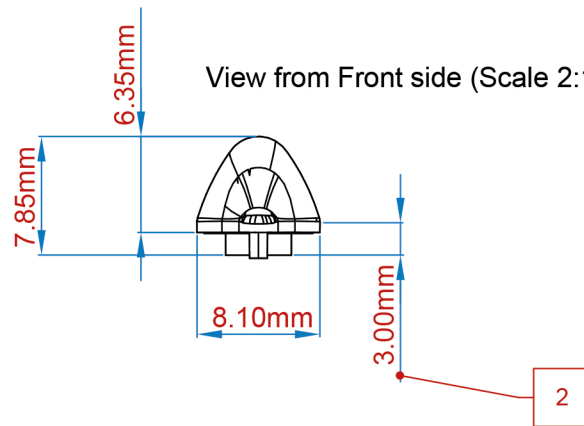
View from Top side (Scale 2:1)



View from Right side (Scale 2:1)



View from Front side (Scale 2:1)



Notes:

- ① M2 thread for installation and thermal coupling
- ② Respect max. thread depth of 3mm
- 3. Avoid bending the cable too sharply when laying it out
- 4. Max. LED current: 200mA
Use Light Driver 5.0 in P&P and MLT Mode for higher LED currents

Lena S	Version: V1.0	innoflyer Weissenstr. 81 4500 Solothurn Switzerland www.innoflyer.ch	innoflyer
Product Specification	Size: A4		
File: Luna S.PCBDwf		Name: Christoph Raible	Date: 04.05.2017