

6" I.D double wall stainless chimney

glass mosaics, color per client choice

cooking tools storage

wood logs storage area

Pizza capacity: MORE THAN 2 - 8" Pizzas at once



PERSPECTIVE

clearance from combustibles:

1" clearance all way around the perimeter.
14" above completed dome assembly.
30" side clearance from door opening.
36" from front of oven landing.

NON COMBUSTIBLE HEARTH.

SPECS:

wood fuel, option for gas burner.
available with or without metal stand.
clay flue come standard, options for metal upgrades such as stainless or rusted old world steel.

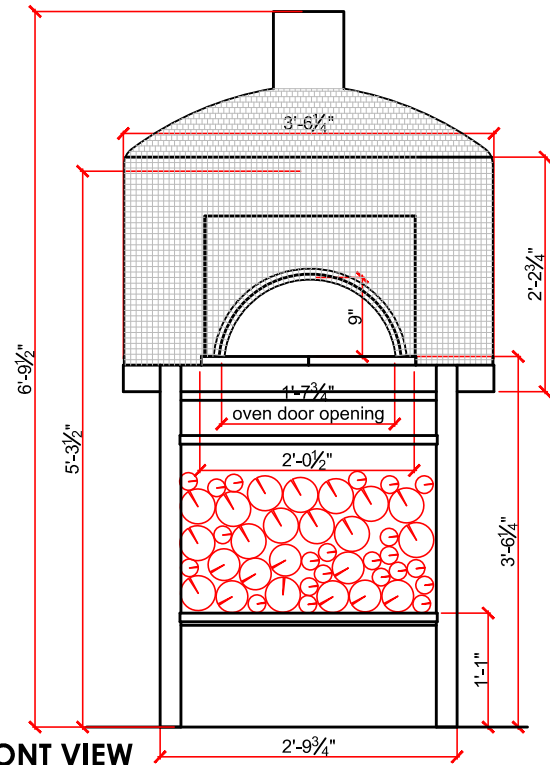
ships via LTL in wooden crate size:
48" X 48" X 88" gross weight: ~ 1,100 lbs

Utilities:
no electric or gas required.

Note:
this oven and any of our products shall be installed in accordance with all relevant local and national building and safety codes and according to the local authorities.

Interior width	Interior depth	Exterior diameter	Cooking surface area
28"	32"	42 1/4"	800 sq.inches

WARNING:
Please read and follow all instructions prior to installing and using any of californo appliances. Failure to follow instructions may result in property damage, injury or even death.



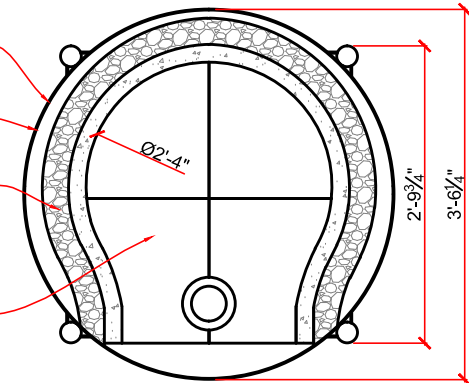
FRONT VIEW

allow minimum 1" all around from combustible materials

glass mosaic finish

3 layers of blanket insulation 1" thick each

800 square inches cooking surface



PLAN VIEW

As we constantly improve and develop our products, minor modification may reflect in actual product.

GARZONI 280 ASSEMBLED MOSAIC SPECS

Made in USA Since 2005

www.californo.co | 855.55.forno (36766) | info@californo.co
209 NW 4th Ave. Hallandale Beach, Florida 33309 USA

© 2017 V 1.8

CALIFORNO

THE BETTER PIZZA OVEN