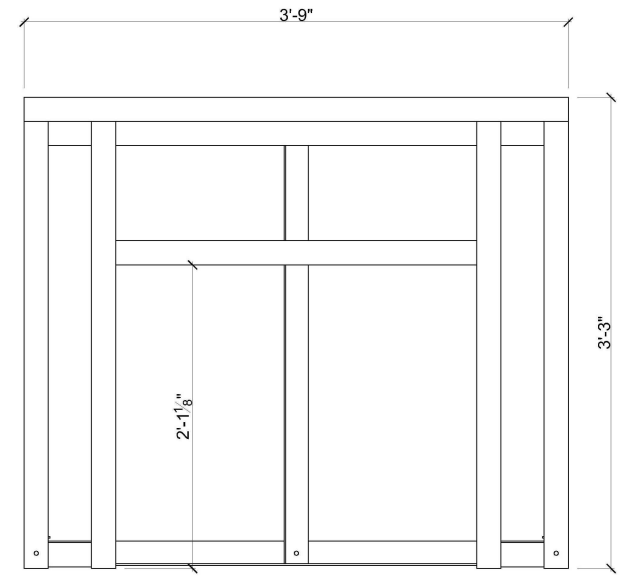
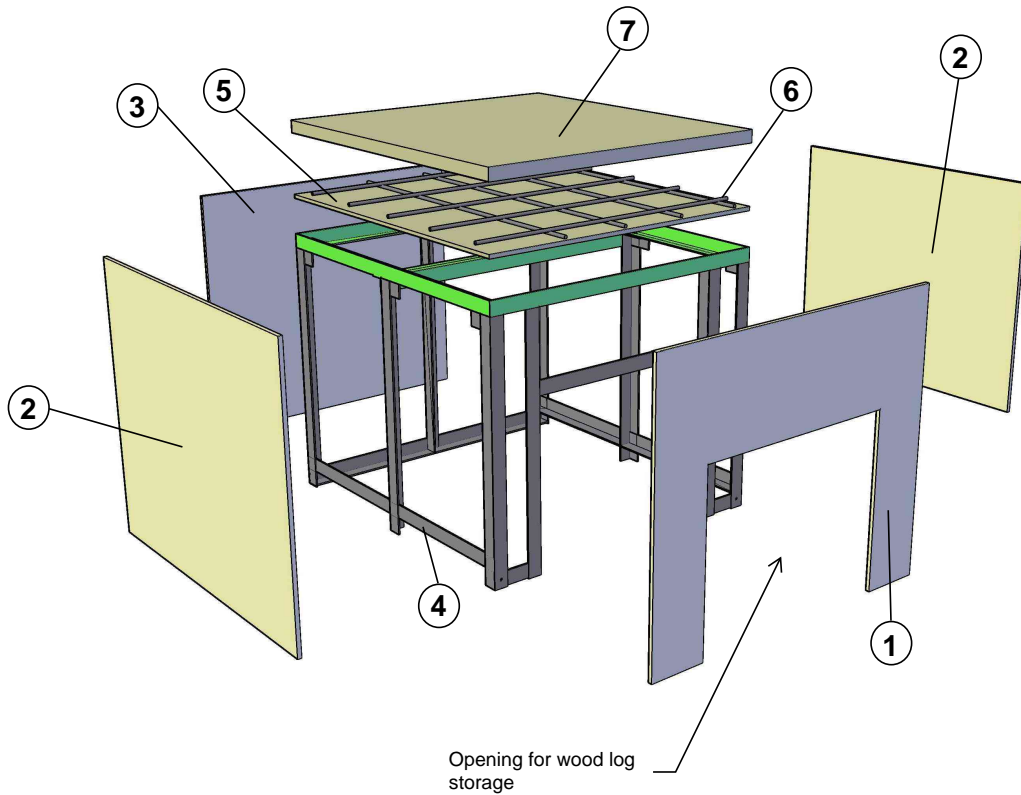
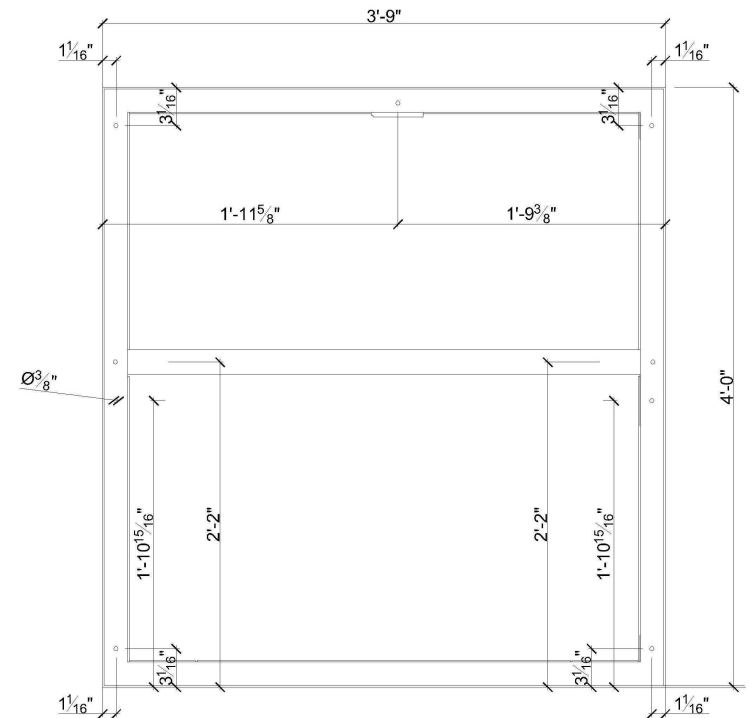


TAVOLA SMALL PIZZA OVEN STAND

FOR G-240, G-260 AND G-280



FRONT VIEW
NOT TO SCALE



TOP VIEW
NOT TO SCALE

ITEM	PART	DESCRIPTION	QTY
1	FRONT PANEL	1/4" PRE-CUT BACKER BOARD	1
2	SIDE PANEL	1/4" PRE-CUT BACKER BOARD	2
3	BACK PANEL	1/4" PRE-CUT BACKER BOARD	1
4	TAVOLA-280	1/8" THICK METAL FRAME STRUCTURE	1
5	TOP PANEL	1/2" PRE-CUT BACKER BOARD	1
6	3/8" REBAR @ 12" O.C	TO BE PURCHASED SEPARATEBY CLIENT	
7	CONCRETE SLAB	TO BE POURED BY CLIENT	
	HEX BOLT 3/8" X 1"	PROVIDED BUT NOT ILLUSTRATED	10
	HEX NUT 3/8"	PROVIDED BUT NOT ILLUSTRATED	10
	SELF TAPPING SCREWS	PROVIDED BUT NOT ILLUSTRATED	60