



www.retromanufacturing.com

7470 Commercial Way

Henderson, NV 89011

702.483.2222

Warranty

If your product does not work properly because of defects in materials or workmanship, Retro Manufacturing, LLC (collectively referred to as the "warranter") will for the length of One Year, which starts with the date of original purchase ("warranty period"), at its option either (a) repair your product with new or refurbished parts, or (b) replace it with a new or refurbished product. The decision to repair or replace will be made by the warranter.

To handle warranty issues, contact us at tech@retromanufacturing.com or call 702.483.2222. All returns and warranty issues must be accompanied by a Return Authorization (RA) number along with a copy of your original purchase receipt. Once an RA number is issued, send the product along with the original sales receipt to the address above. Any items sent to us without a RA number and copy of the receipt will be refused.

2. Installing the New Antenna

- a) Make sure the battery is disconnected before you begin to install the new antenna. Make sure the underside of the fender is free from obstructions and has enough clearance to house the new antenna. Your new antenna requires approximately 11 1/2 inches or 29cm of clearance.
- b) Six mounting bases are provided with the antenna: five of varying angles with one adjustable mount installed on the antenna (see Figure 1).
- c) Remove the preinstalled mounting base from the new antenna. Select the proper base with the correct angle for your fender (see Figure 1) or reuse the original mounting base from the old antenna. The five fixed angle bases require a 7/8 inch or 22mm hole. The adjustable base requires a 1 inch or 25mm hole.
- d) If no adequate hole exists, a 1/8 inch or 3mm pilot hole must be drilled then enlarged with a hole saw or drill bit to one of the sizes listed above depending on the base you will use.
- e) Remove all burrs, paint or dirt from the underside of the hole.
- f) Install the new antenna from the underside of the fender and assemble the base above the fender (see Figure 2). Be sure the retainer rests evenly on the underside of the fender to alleviate any possible damage to the vehicle or antenna. Align the mast vertically by slightly tightening the antenna mounting nut while adjusting the mast to be vertical.
- g) Secure the bottom of the motor assembly with the supplied metal strap. There are holes in the strap designed to accommodate various mounting positions. It may be necessary to bend the strap to mount the motor assembly. Be sure the white ground wire is secured properly to a clean chassis point for proper operation. If the white ground wire is not properly grounded, the antenna will not function.
- h) With the retainer resting evenly on the underside of the fender, tighten the mounting nut firmly to secure the antenna assembly. Do not over tighten the nut. Over tightening the nut may strip or break the mounting threads or damage the contact spring causing improper antenna operation.
- i) Attach the drain tube to the bottom of the motor assembly and route it to the outside of the car. Avoid kinking or bending the drain tube (see Figure 2).
- j) Route the electrical wiring and coaxial cable into the dash area inside the vehicle interior to plug it into your radio (see Figure 2). A 5/8 inch or 16mm hole will be required to route the wire through the firewall. Avoid routing cables through the engine compartment, and near hot or high current parts. Antenna cables may pick up interference from high current parts and wiring. Finally plug the antenna into your radio and reconnect the battery.

3. Electrical Wiring

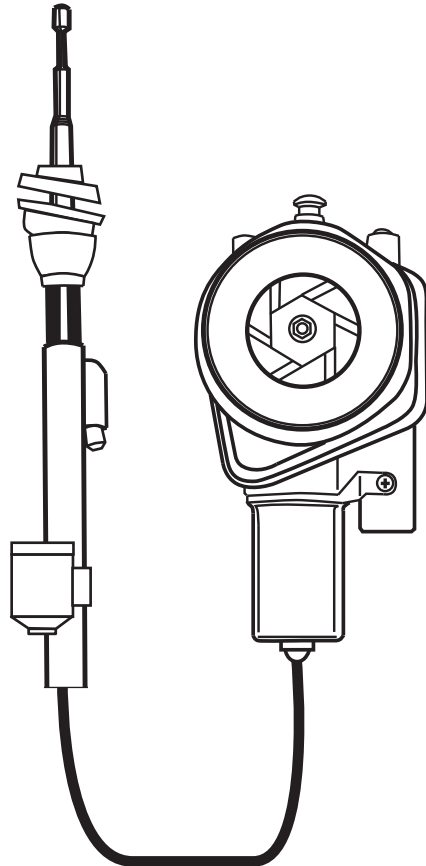
- a) For radios with a power antenna wire, connect the green wire from the antenna to the power antenna wire from the radio (usually blue), then connect the coaxial cable from the antenna to the radio (see Figure 2).
- b) The red power wire from the antenna can be connected at the fuse block, battery or any other constant +12 volt location.

IMPORTANT NOTES

- a) For optimum operation and reception, you must periodically clean the mast with a damp cloth. Always clean the mast while it is fully extended. Do not oil or grease the antenna or motor assembly. Doing so will damage the motor.
- b) This power antenna is designed to withstand extremely cold temperatures, but under severe icing conditions the antenna could fail to extend or retract. If this happens, turn the radio on and off three or four times to help free the antenna mast. The antenna motor will not be damaged if the mast does not extend. A special clutch protects the motor from any possible damage from a frozen mast.
- c) Always remember to retract the antenna when entering a car wash or low clearance areas.
- d) There are no user serviceable parts in the motor assembly, and it should never be taken apart. Damage caused by disassembly, unauthorized accessories or incorrect wiring will void your warranty.
- e) Periodically inspect the drain tube for blockage or kinks.

RetroAntenna®

INSTALLATION INSTRUCTIONS



PA-02 / PA-04

Welcome

Thank you for purchasing a RetroAntenna® power antenna. This antenna features fully automatic operation. This unique antenna allows you to mount the motor separately from the antenna, which facilitates installation for vehicles with limited space. Care must be taken during the installation to make sure that the antenna mast functions properly before finalizing the install. Please note that this antenna does not work with antenna systems requiring a switch.

Our antenna uses a standard end designed to fit most applications. Some factory radios for 1995 and newer Fords, 1988 and newer GMs and some imports use a unique connector at the radio, and an adapter may be needed. Contact a local car audio shop for the correct adapter part if one is needed.

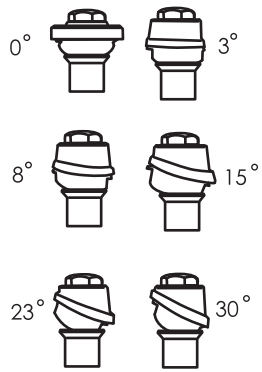
1. Removing the Old Antenna

- a) Disconnect the battery before you begin. Gain access to the underside of the fender area through the trunk, fender, splash panel, etc.
- b) Remove and disassemble the old antenna and base. Retain the old base and mounting parts for your reference. In some cases you can reuse them if you wish to keep the old look. Remove the mounting bracket, drain tube, electrical wires and antenna coaxial cable. When removing electrical wires and the coaxial cable from the antenna, follow the wire's path to the closest connector and disconnect. **DO NOT CUT THE COAXIAL CABLE**
- c) Remove the old antenna from below the fender.

Replacement Antenna Masts

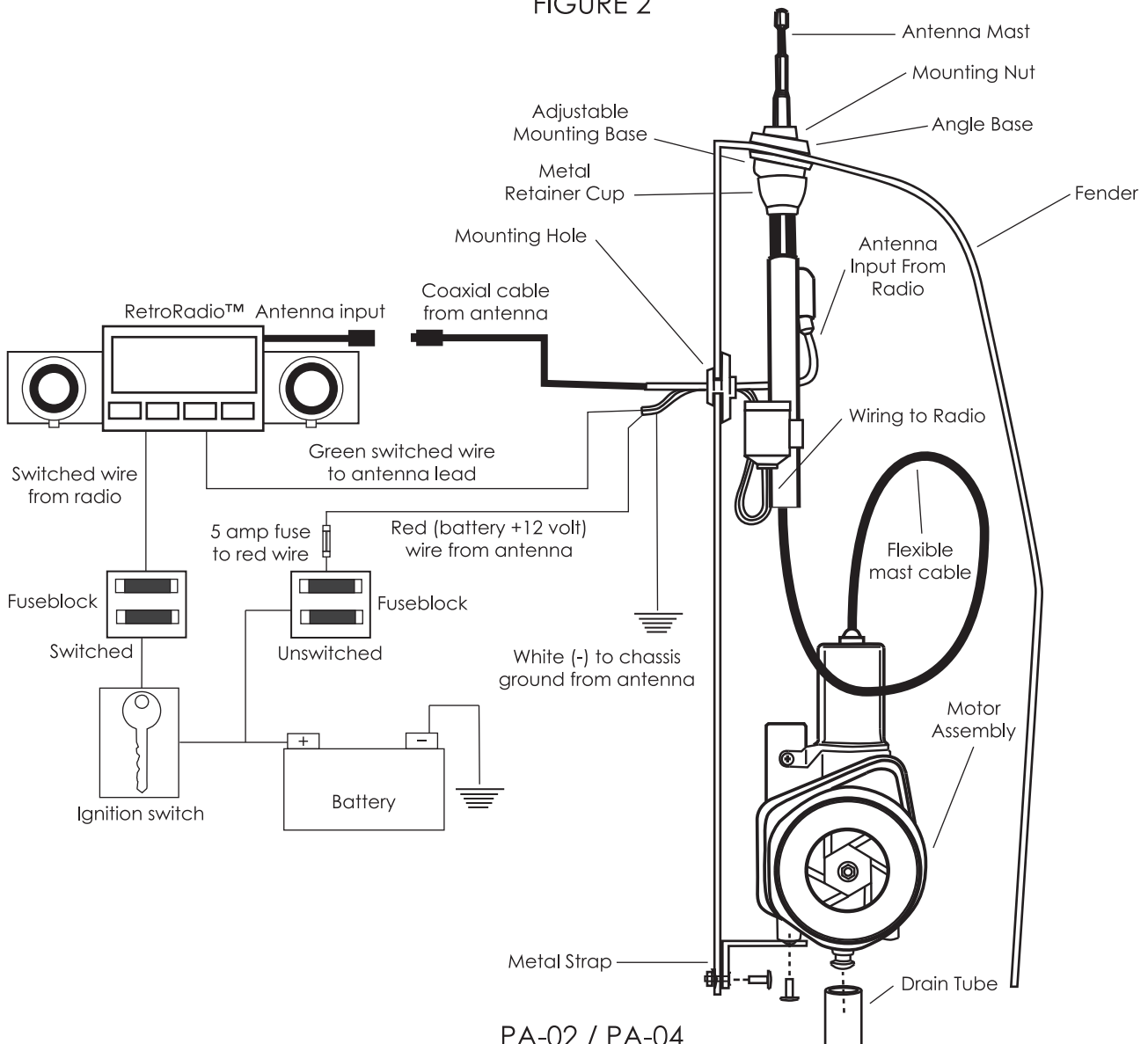
Replacement antenna masts are available. To purchase a replacement mast, call us at 702.483.2222 or visit our website: www.retromanufacturing.com.

FIGURE 1



Included mounting bases

FIGURE 2



PA-02 / PA-04