

**STEREO DASH
REPLACEMENT SPEAKERS**
USER'S MANUAL



MODERN SOUND FOR YOUR CLASSIC

www.retromanufacturing.com

WELCOME

Thank you for purchasing a RetroSound® Stereo Replacement Dash Speaker.

RetroSound® Stereo Dash Replacement Speakers

- Dual tweeter dual voice coil design for stereo mix from single speaker location
- Mylar® tweeters for crisp, clear highs
- Dip-cut back plate for extended pole piece excursion

These speakers feature a dual voice coil design with two tweeters (left and right) to deliver a stereo mix from the single speaker location in your dash, rear package tray or rear seat. They offer high power handling and excellent bass response in a slim design, making these speakers an ideal solution for installations in which space is a premium.

The information enclosed in this manual is to be used as a guide to assist you with installation and operation of your speakers. This guide does not cover every installation possibility, vehicle, or every aspect of the installation process.

Retro Manufacturing, LLC, or its subsidiaries, assume no responsibility for any installation. This manual may be updated from time to time.

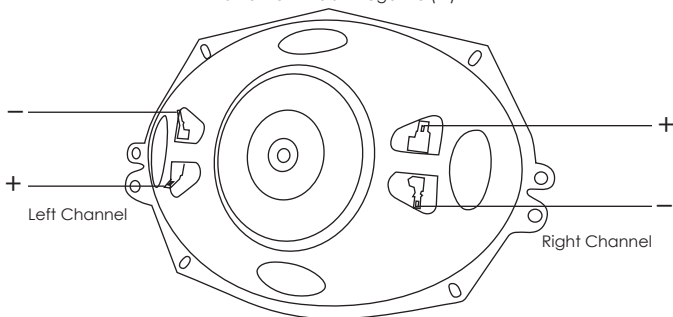
Visit our website for the latest version
www.retromanufacturing.com

INSTALLATION INSTRUCTIONS

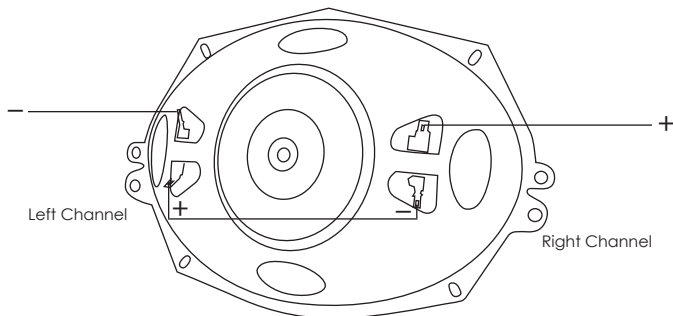
RetroSound® dash speakers allow you to connect both the left and right stereo channels to the single speaker, offering a stereo mix from your single dash, rear seat or rear package tray speaker location.

Wiring our RetroSound® dash speakers for two channel operation:

Large terminals = positive (+)
Small terminals = negative (-)



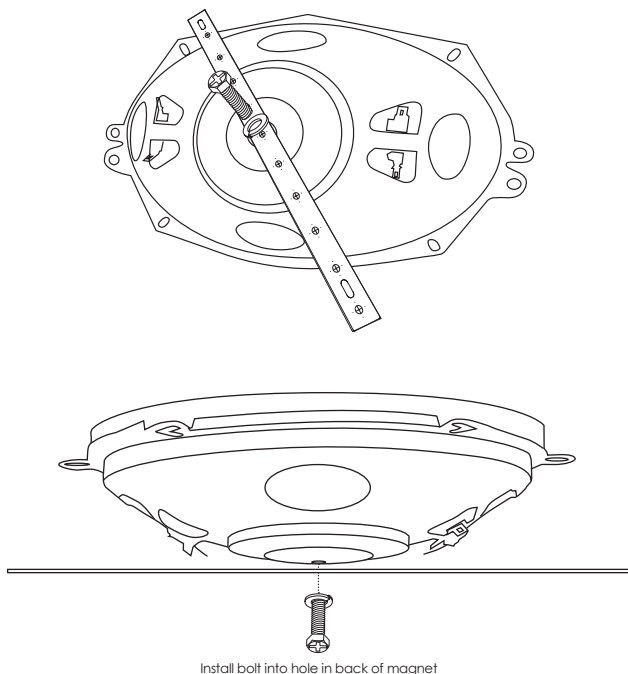
Wiring our RetroSound® dash speakers in series so the amplifier sees an 8 ohm load:



INSTALLATION RECOMENDATIONS

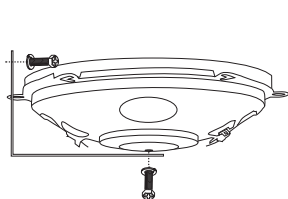
Universal Speaker Bracket RS-UB1KT (sold separately)

This 14-inch bracket, when installed in the threaded mounting point at the rear of our dash speakers, allows you to make your own custom speaker bracket. You can modify the bracket to solve challenging installations where no other options are available.

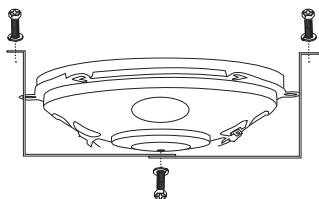


INSTALLATION RECOMENDATIONS

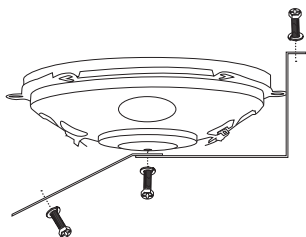
The bracket can be bent or trimmed to virtually any shape to accomplish your installation goals. Below are some examples of a few of the shapes to which you can bend the bracket, helping you to mount the speaker into the dash, rear seat or rear package tray. Some of these recommendations may require the use of two or more brackets. These brackets are available for purchase from our website.



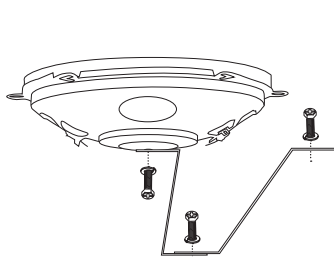
"L" Bracket Mount



Horizontal Mount
(two brackets)



Rear Package Tray Mount
(two brackets)



Custom Mount
(two brackets)

SPECIFICATIONS

STANDARD SERIES

MODEL	D-52	D-62	D-572	D-412
Nominal Diameter (inch)	5.25	6.5	5 x 7	4 x 10
Description	2-Way	2-Way	2-Way	2-Way
Nominal Impedance	4 ohm (DVC)	4 ohm (DVC)	4 ohm (DVC)	4 ohm (DVC)
Frequency Response	60Hz-21kHz	50Hz-21kHz	48Hz-21kHz	43Hz-21kHz
Sensitivity (SPL@1w/1m)	87dB	87dB	87dB	87dB
Power Handling (watts RMS/peak)	15/30	15/30	15/30	15/30
Speaker Grill	NO	NO	NO	NO
Mounting Depth (inch)	1.7	2	2	2.3
Mounting Depth (mm)	44	51	51	59

*The above specifications are subject to change without notice.

R-SERIES (ultra-thin)

4 ohm (DVC)	R-48N	R-410N	R-57N
Nominal Diameter (inch)	4 x 8	4 x 10	5 x 7
Description	2-Way	2-Way	2-Way
Nominal Impedance	4 ohm (DVC)	4 ohm (DVC)	4 ohm (DVC)
Frequency Response	65Hz-21kHz	43Hz-21kHz	65Hz-21kHz
Sensitivity (SPL@1w/1m)	87dB	87dB	87dB
Power Handling (watts RMS/peak)	60/120	90/160	60/100
Speaker Grill	NO	NO	NO
Mounting Depth (inch)	1.7	1.7	1.7
Mounting Depth (mm)	44	44	44
MODEL	R-65N	R-69N	
Nominal Diameter (inch)	6.5	6 x 9	
Description	2-Way	2-Way	
Nominal Impedance	4 ohm (DVC)	4 ohm (DVC)	
Frequency Response	52Hz-21kHz	40Hz-21kHz	
Sensitivity (SPL@1w/1m)	87dB	90dB	
Power Handling (watts RMS/peak)	50/100	100/200	
Speaker Grill	NO	NO	
Mounting Depth (inch)	1.7	1.7	
Mounting Depth (mm)	44	44	

*The above specifications are subject to change without notice.

LIMITED WARRANTY

If your unit does not work properly because of defects in materials or workmanship, Retro Manufacturing, LLC (collectively referred to as "the warranter") will, for the length of the period indicated in the chart below, which starts with the date of original purchase ("warranty period"), at its option either (a) repair your unit with new or refurbished parts, or (b) replace it with a new or refurbished unit. The decision to repair or replace will be made by the warranter.

CATEGORIES	WARRANTY
Speakers	One (1) Year

To handle a warranty issue, contact us at tech@retromanufacturing.com or 888.325.1555 for a Return Authorization number. All returns and warranty issues must be accompanied by a Return Authorization (RA) number. Any product received without a RA number will be refused.

You must mail in your unit prepaid during the warranty period. This warranty only applies to products purchased and serviced in the United States. This warranty is extended only to the original purchaser of a new product which was not sold "as is." A purchase receipt or other proof of the original purchase date is required for warranty service.

LIMITED WARRANTY-LIMITS AND EXCLUSIONS

This warranty ONLY COVERS failures due to defects in materials or workmanship. This warranty DOES NOT COVER damages which occurred during shipment, failures which are caused by products not supplied by the warranter, failures which result from accident, misuse, abuse, neglect, pest infestation, mishandling, misapplication, alteration, faulty installation, set-up adjustment, improper voltage, lightning strikes, maladjustment of consumer control, improper maintenance, modification, commercial use or rental use of the product, or service by anyone other than Retro Manufacturing, LLC, or damage that is attributable to acts of God.

THERE ARE NO EXPRESS WARRANTIES EXCEPT AS LISTED UNDER "LIMITED WARRANTY". THE WARRANTER IS NOT LIABLE FOR INCIDENTAL OR CONSEQUENTIAL DAMAGES RESULTING FROM THE USE OF THIS SYSTEM, OR ARISING OUT OF ANY BREACH OF THIS WARRANTY. (As examples, this excludes damages for lost time, cost of having someone remove or re-install an installed unit if applicable, travel to and from the servicer. The items listed are not exclusive, but are for illustration only.) ALL EXPRESSED AND IMPLIED WARRANTIES, INCLUDING THE WARRANTY OF MERCHANTABILITY, ARE LIMITED TO THE PERIOD OF THE LIMITED WARRANTY.

Some states do not allow the exclusion or limitation of incidental or consequential damages, or limitations on how long an implied warranty lasts, so the exclusions may not apply to you. This warranty gives you specific legal rights and you may also have other rights which vary from state to state. If a problem with this unit develops during or after the warranty period, you may contact your dealer or Retro Manufacturing, LLC. Warranty only valid in U.S.A.

