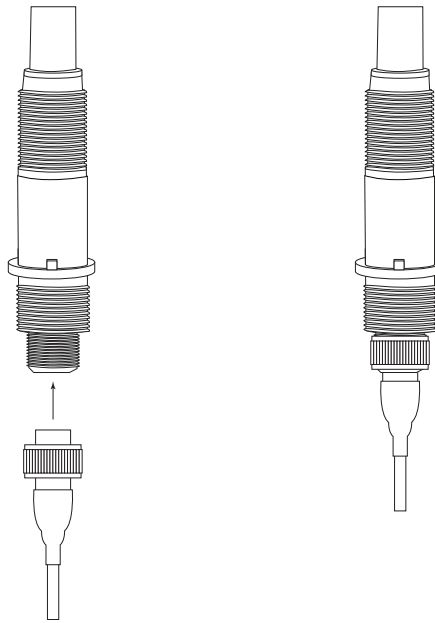
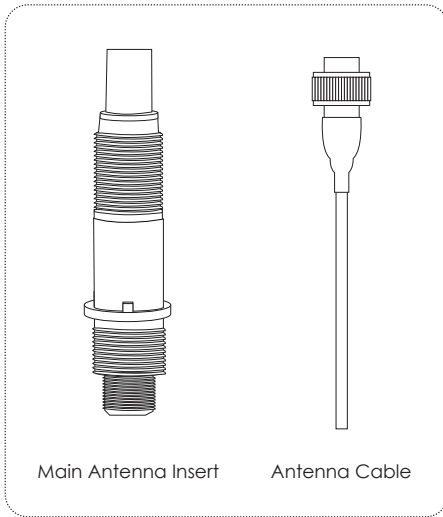


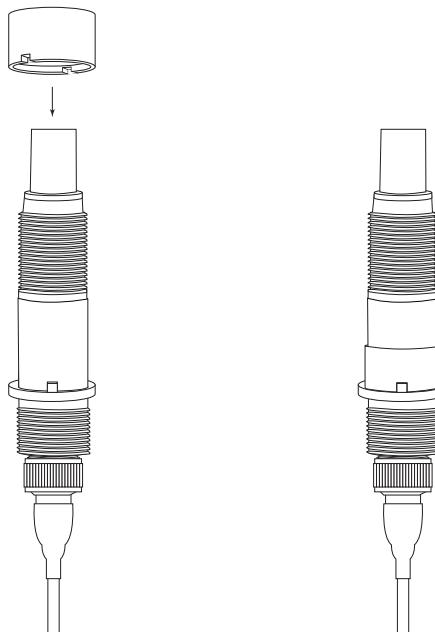
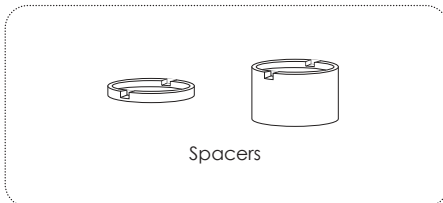
RetroAntenna®

INSTALLATION INSTRUCTIONS

1. Thread the antenna cable onto the bottom of the main antenna insert.

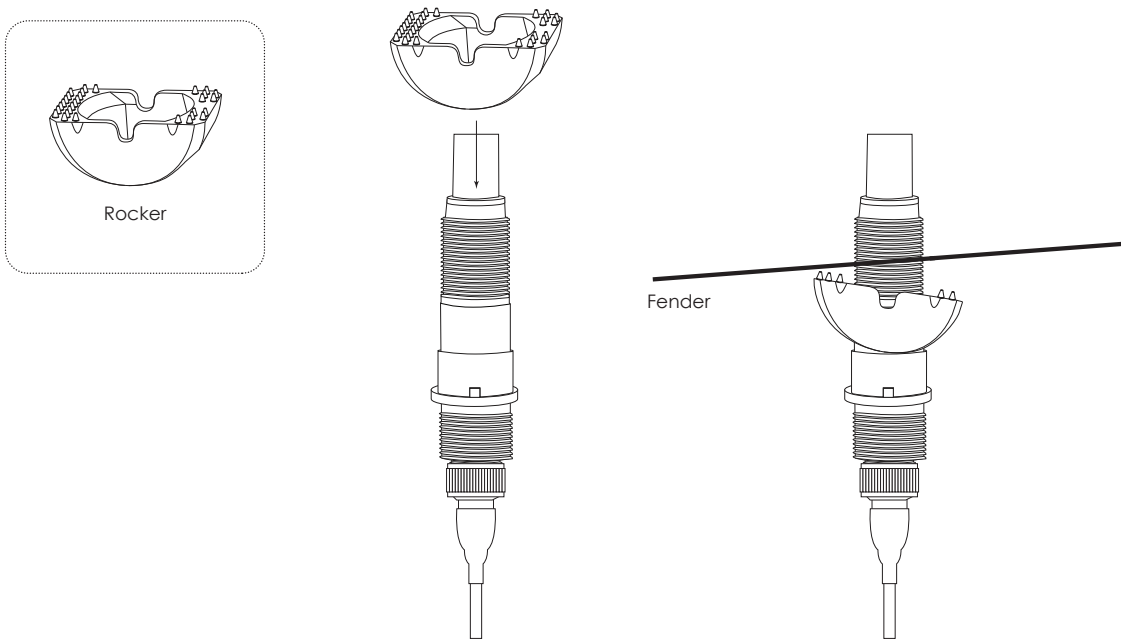


2. Place the spacer(s), if needed, onto the main antenna insert from the top.

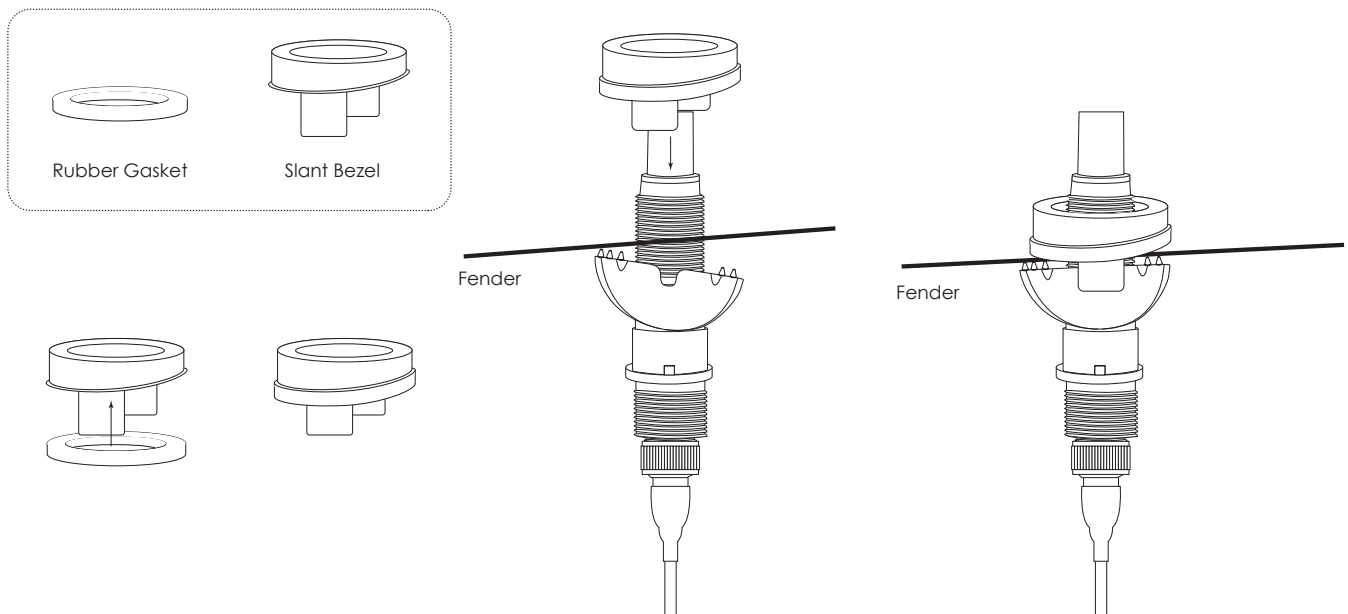


INSTALLATION INSTRUCTIONS (continued)

- Place the rocker, with the round side down and teeth side up, onto the main antenna insert. Then place the antenna assembly through the antenna hole from the underside of the fender.

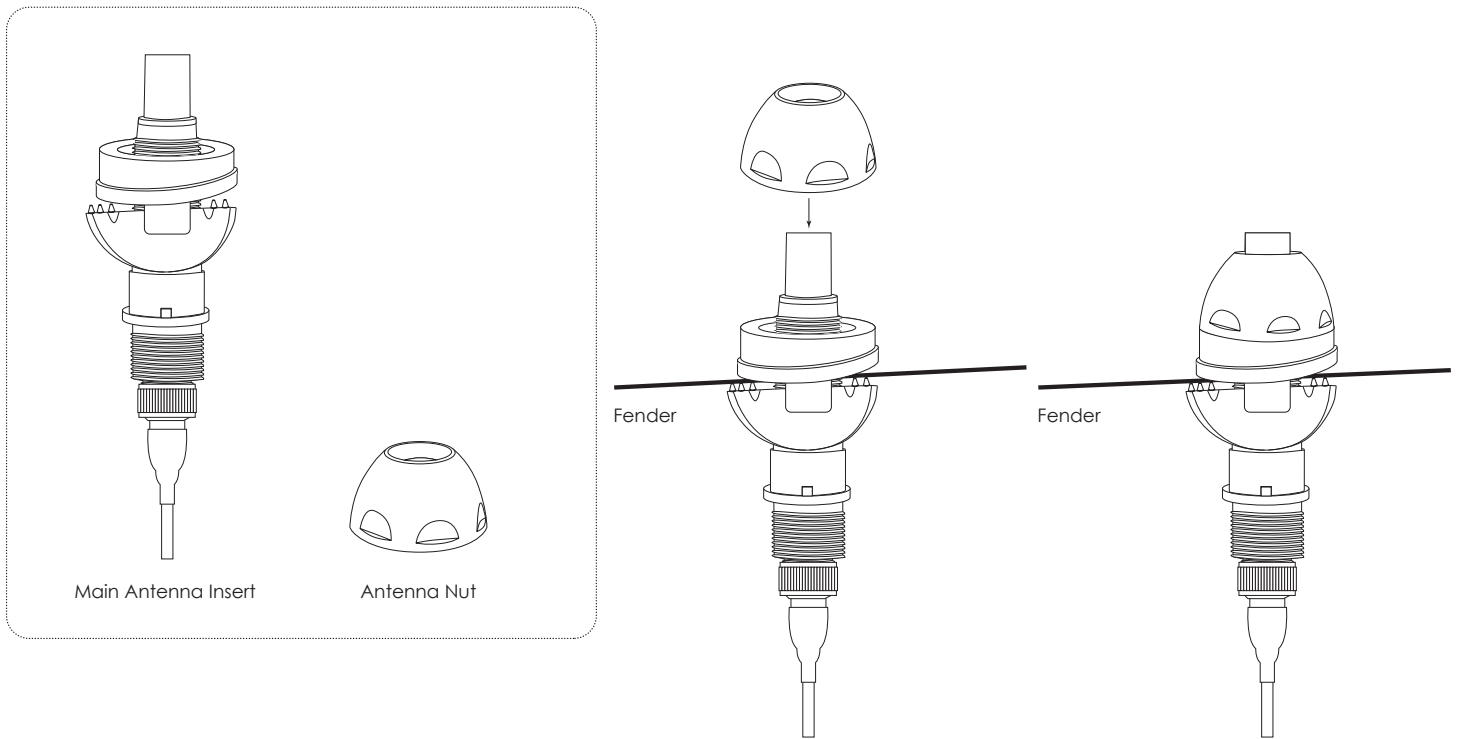


- Once the antenna assembly has been placed through the antenna hole, place the rubber gasket and slant bezel over the main antenna insert from the top.

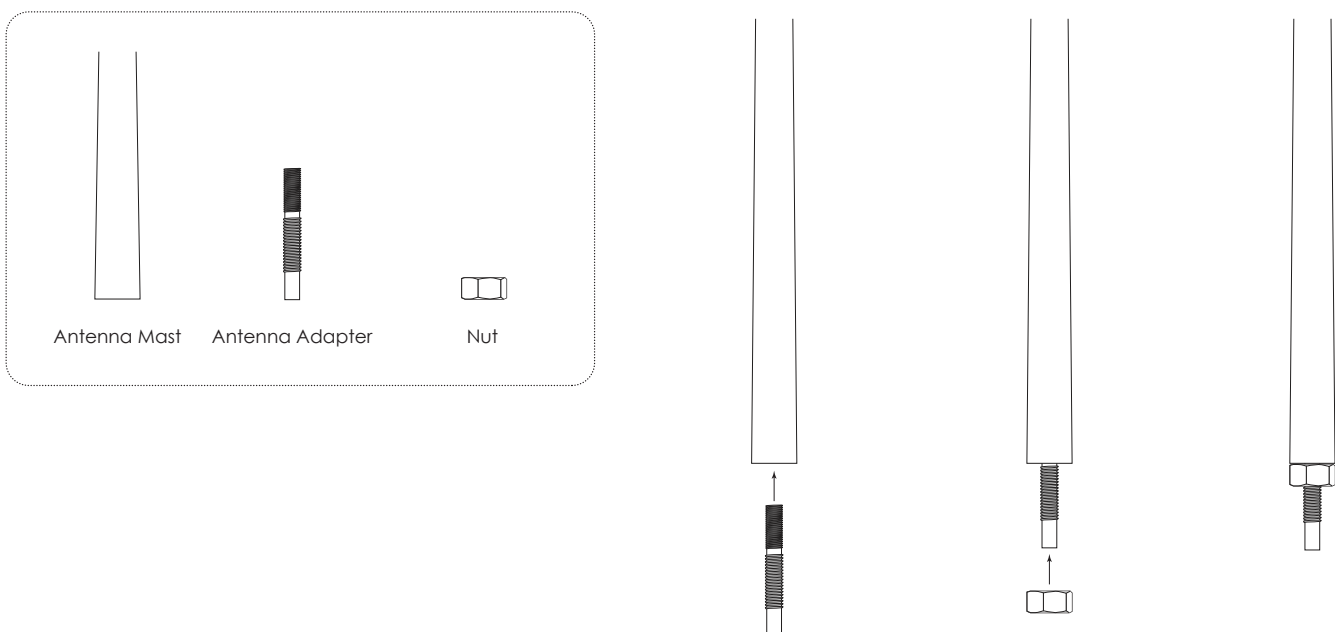


INSTALLATION INSTRUCTIONS (continued)

5. Thread the antenna nut onto the top of the main antenna insert. Do not overtighten.

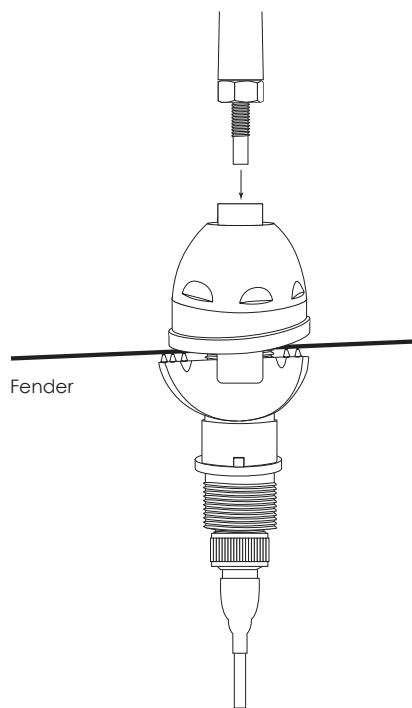
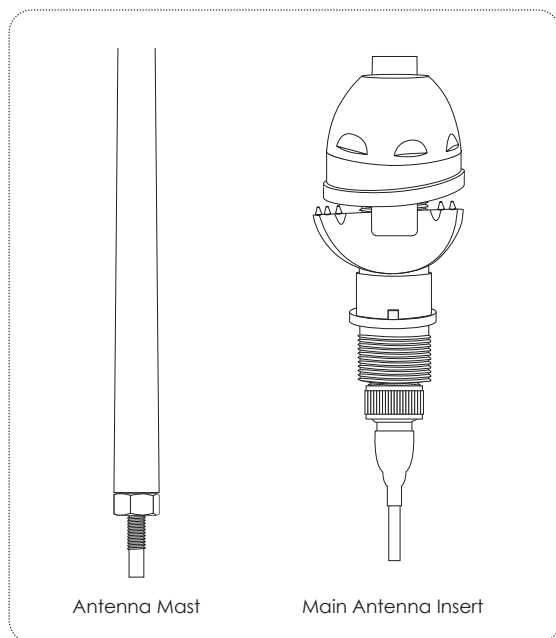


6. Thread the antenna adapter into the bottom of the antenna mast. The fine threads go into the mast. Then thread the nut onto the end. Do not over tighten.

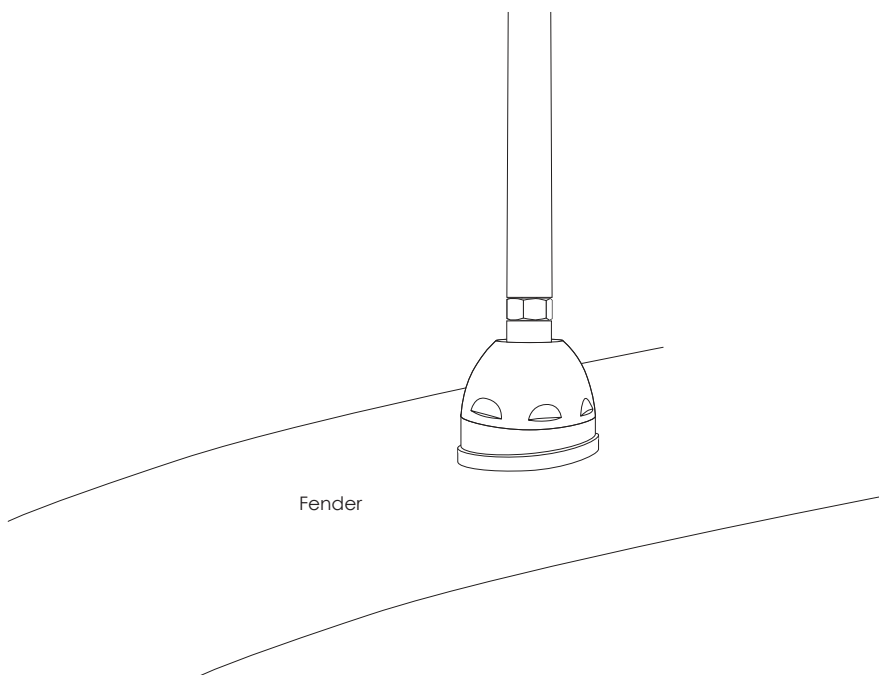
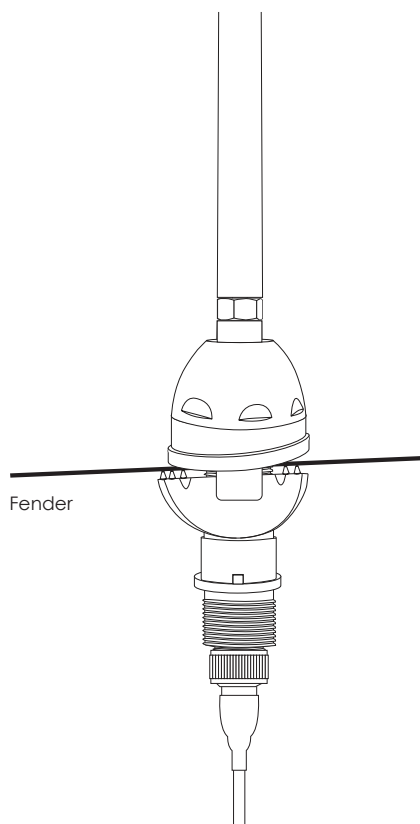


INSTALLATION INSTRUCTIONS (continued)

7. Thread the antenna mast into the top of the main antenna insert. Do not overtighten.



Finished Installation



Retro[®]
MANUFACTURING