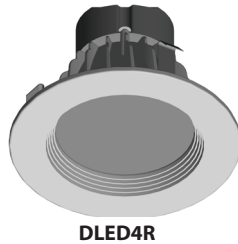


DLED4R DLED6R INSTALLATION INSTRUCTIONS



Thank you for buying RAB lighting fixtures. Our goal is to design the best quality products to get the job done right. We'd like to hear your comments. Call the Marketing Department at 888-RAB-1000 or email: marketing@rabweb.com



IMPORTANT

READ CAREFULLY BEFORE INSTALLING FIXTURE. RETAIN THESE INSTRUCTIONS FOR FUTURE REFERENCE.

RAB fixtures must be wired in accordance with the National Electrical Code and all applicable local codes. Proper grounding is required for safety. THIS PRODUCT MUST BE INSTALLED IN ACCORDANCE WITH THE APPLICABLE INSTALLATION CODE BY A PERSON FAMILIAR WITH THE CONSTRUCTION AND OPERATION OF THE PRODUCT AND THE HAZARDS INVOLVED.

WARNING: Make certain power is OFF before installing or maintaining fixture. No user serviceable parts inside.

SAFETY INSTRUCTIONS

WARNING: Risk of fire or electric shock. LED retrofit Kit installation requires knowledge of luminaires electrical systems. If not qualified, do not attempt installation. Contact a qualified electrician.

WARNING: Risk of fire or electric shock. Install this kit only in luminaires that have the construction features and dimensions shown in the photographs and/or drawings and where the input rating of the retrofit kit does not exceed the input rating of the luminaire.

WARNING: Do not make or alter any open holes in an enclosure of wiring or electrical components during kit installation.

WARNING: To prevent wiring damage or abrasion, do not expose wiring to edges of sheet metal or other sharp objects.

MOUNTING

DLED Retrofit unit is designed to fit nominal **Existing Housings** with openings of 4" (DLED4R) or 6" (DLED6R).

See the list of compatible housing provided on page 2.

1. Thread the **E26 Socket Adaptor** into **Existing Housings Medium Base Socket**.
2. Connect the orange **Wire Connector** of the **E26 Socket Adaptor** to **DLED4R** or **DLED6R** connector.
3. Carefully route all wires into **Existing Housing (Fig. 2)**. Taking care not to pinch wires, squeeze either **Friction Blades (DLED4R)** or **Torsion Spring Arms (DLED6R)** and push up **DLED4/6R**.
4. Push up on **DLED4/6R** until it is flush to the ceiling surface.

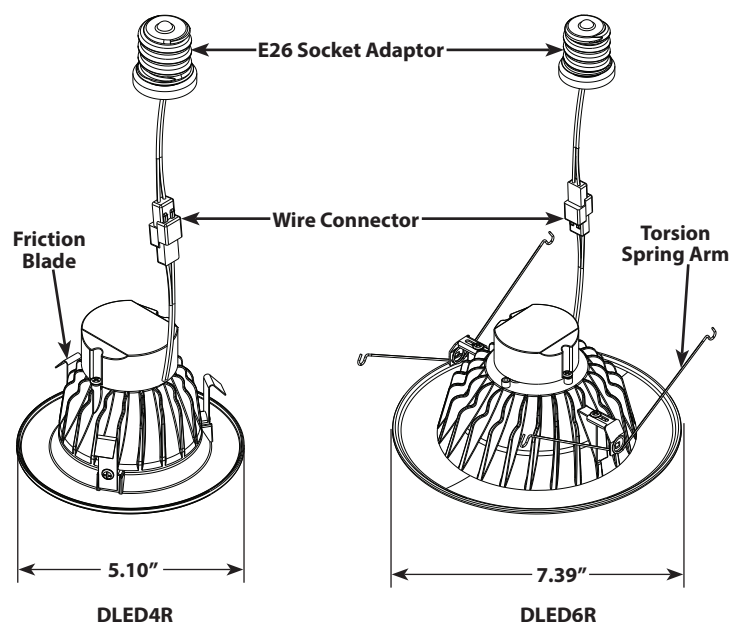
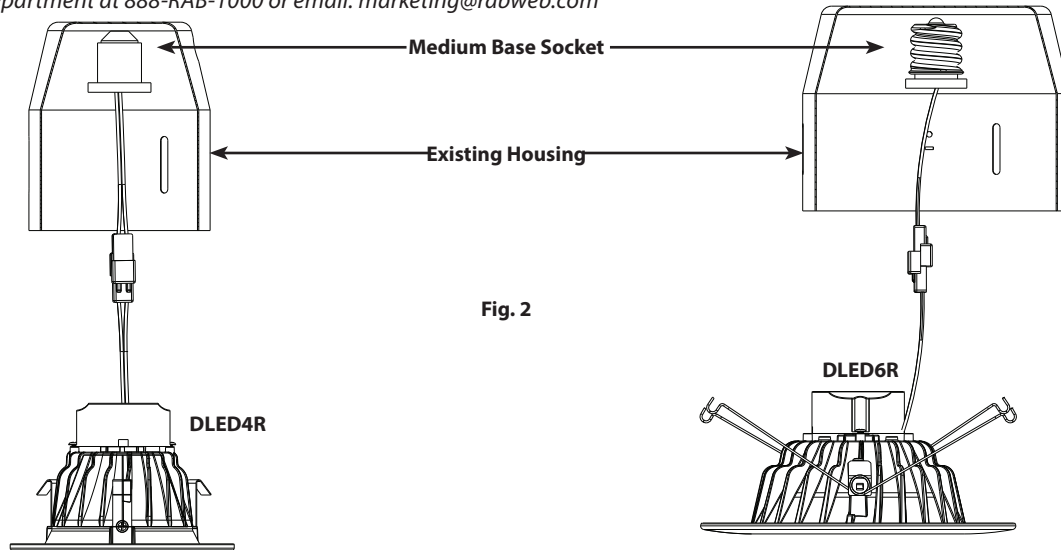


Fig. 1

DLED4R DLED6R INSTALLATION INSTRUCTIONS

Thank you for buying RAB lighting fixtures. Our goal is to design the best quality products to get the job done right. We'd like to hear your comments. Call the Marketing Department at 888-RAB-1000 or email: marketing@rabweb.com



WIRING

WARNING: To prevent wiring damage or abrasion, do not expose wiring to edges of sheet metal or other sharp objects.

Fixture operates at 120V 60 Hz and can be dimmed with most forward phase incandescent dimmers. For a list of compatible dimmers see www.rabweb.com

1. Screw in medium base socket adaptor.
2. Connect GROUND wire from DLED fixture to the existing housing with # 8 screw provided to any existing housing hole as shown or drill a new 1/8" diameter hole.
3. Plug in wire connector between socket adaptor and DLED fixture.

CLEANING & MAINTENANCE

CAUTION: Be sure fixture temperature is cool enough to touch. Do not clean or maintain while fixture is energized.

1. Clean lens & fixture with non-abrasive cleaning solution.
2. Do not open fixture to clean the LED. Do not touch the LED.

TROUBLESHOOTING

Check that the line voltage at fixture is correct.

1. Check that the socket adaptor is properly seated in the socket.
2. Do not attempt to modify the socket in any way.

Note: These instructions do not cover all details or variations in equipment nor do they provide for every possible situation during installation, operation or maintenance.

UL CLASSIFIED FOR RETROFIT COMPATIBILITY

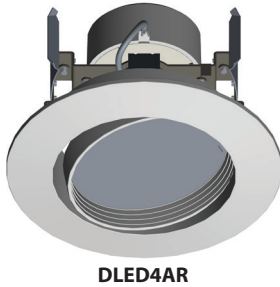
Check that the existing housing is one of the following compatible fixtures.

1. Retrofit has an E26 Edison screw-base.
2. **DLED4R** and **DLED6R** can be used in existing housings with opening of 4 or 6". These fixtures are UL Classified for retrofit in the following housings:
 - Halo: Housing Series H99TAT
 - Elite: B4, B4IC, BL4_Baffle, ID4-AT
 - Nora: NS-401QAE, NS-401QAT, NSR-404QAT
 - Halo: Housing Series H7x, H27x, ET7x, Ei7x, ET27x, EI27x. Halo H750ICAT, H750RICAT, H750T and H750TCP series recessed LED housings.
 - Juno: IC22, IC22R, IC22W, IC22S, IC23, IC23W, IC21, IC21R, TC2, TC2R
 - Capri: CR1, PR1, QL1, R9ASIC
 - Lightolier: 1104ICS, 11041CR, 1104SIC, 1104SICR
 - Progress: P87-AT, P86TG
 - Lithonia: L7X, L7XP
 - Thomas: PST, R9ASIC/PS9RM
 - Prescolite: IBXS
 - Commercial Electric: H3
 - Elco: EL71CA
 - Elite: B6IC-AT-W

DLED4AR DLED6AR INSTALLATION INSTRUCTIONS



Thank you for buying RAB lighting fixtures. Our goal is to design the best quality products to get the job done right. We'd like to hear your comments. Call the Marketing Department at 888-RAB-1000 or email: marketing@rabweb.com



DLED4AR



DLED6AR

IMPORTANT

READ CAREFULLY BEFORE INSTALLING FIXTURE. RETAIN THESE INSTRUCTIONS FOR FUTURE REFERENCE.

RAB fixtures must be wired in accordance with the National Electrical Code and all applicable local codes. Proper grounding is required for safety. THIS PRODUCT MUST BE INSTALLED IN ACCORDANCE WITH THE APPLICABLE INSTALLATION CODE BY A PERSON FAMILIAR WITH THE CONSTRUCTION AND OPERATION OF THE PRODUCT AND THE HAZARDS INVOLVED.

WARNING: Make certain power is OFF before installing or maintaining fixture. No user serviceable parts inside.

SAFETY INSTRUCTIONS

WARNING: Risk of fire or electric shock. LED retrofit Kit installation requires knowledge of luminaires electrical systems. If not qualified, do not attempt installation. Contact a qualified electrician.

WARNING: Risk of fire or electric shock. Install this kit only in luminaires that have the construction features and dimensions shown in the photographs and/or drawings and where the input rating of the retrofit kit does not exceed the input rating of the luminaire.

WARNING: Do not make or alter any open holes in an enclosure of wiring or electrical components during kit installation.

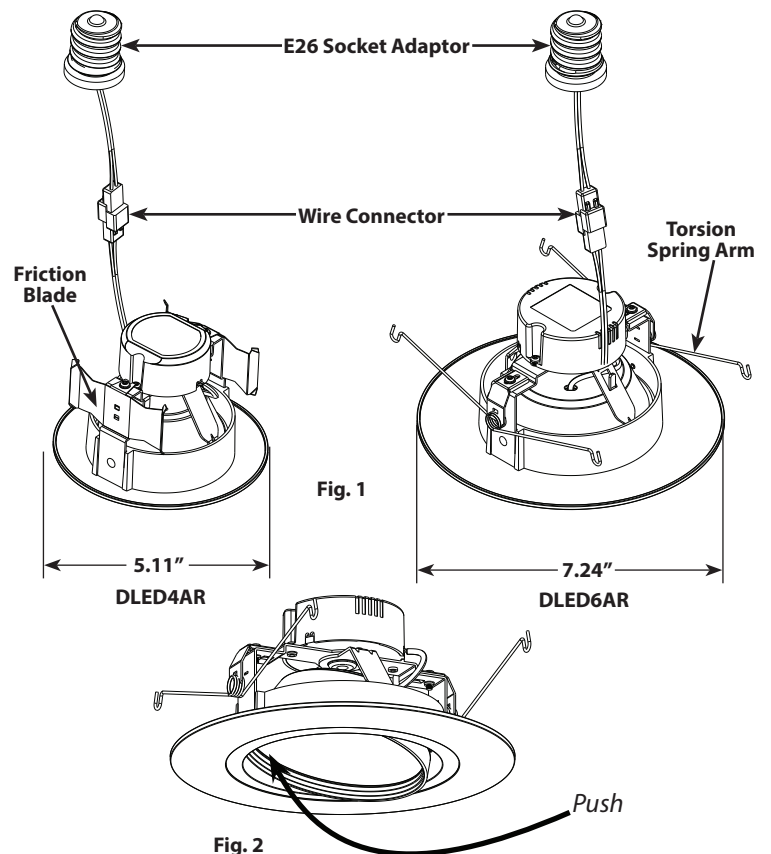
WARNING: To prevent wiring damage or abrasion, do not expose wiring to edges of sheet metal or other sharp objects.

MOUNTING

DLED Retrofit unit is designed to fit nominal **Existing Housings** with openings of 4" (DLED4AR) or 6" (DLED6AR).

See the list of compatible housing provided on page 2.

1. Thread the **E26 Socket Adaptor** into **Existing Housings Medium Base Socket**.
2. Connect the orange **Wire Connector** of the **E26 Socket Adaptor** to **DLED4AR** or **DLED6AR** connector.
3. Carefully route all wires into **Existing Housing (Fig. 2)**. Taking care not to pinch wires, squeeze either **Friction Blades (DLED4AR)** or **Torsion Spring Arms (DLED6AR)** and push up **DLED4/6AR**.
4. Push up on **DLED4/6AR** until it is flush to the ceiling surface.
5. Rotate lens along pivot (Fig. 2) to aim beam of light horizontally at a maximum of 40 degrees (for both DLED4AR and DLED6AR).



DLED4AR DLED6AR INSTALLATION INSTRUCTIONS

Thank you for buying RAB lighting fixtures. Our goal is to design the best quality products to get the job done right. We'd like to hear your comments. Call the Marketing Department at 888-RAB-1000 or email: marketing@rabweb.com

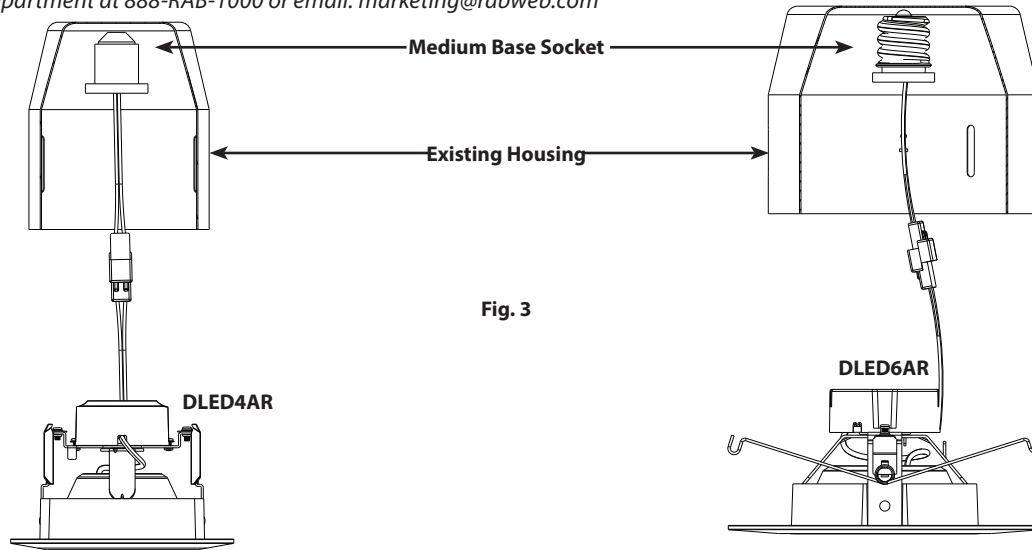


Fig. 3

WIRING

WARNING: To prevent wiring damage or abrasion, do not expose wiring to edges of sheet metal or other sharp objects.

Fixture operates at 120V 60 Hz and can be dimmed with most forward phase incandescent dimmers. For a list of compatible dimmers see www.rabweb.com

1. Screw in medium base socket adaptor.
2. Connect GROUND wire from DLED fixture to the existing housing with # 8 screw provided to any existing housing hole as shown or drill a new 1/8" diameter hole.
3. Plug in wire connector between socket adaptor and DLED fixture.

CLEANING & MAINTENANCE

CAUTION: Be sure fixture temperature is cool enough to touch. Do not clean or maintain while fixture is energized.

1. Clean lens & fixture with non-abrasive cleaning solution.
2. Do not open fixture to clean the LED. Do not touch the LED.

TROUBLESHOOTING

Check that the line voltage at fixture is correct.

1. Check that the socket adaptor is properly seated in the socket.
2. Do not attempt to modify the socket in any way.

Note: These instructions do not cover all details or variations in equipment nor do they provide for every possible situation during installation, operation or maintenance.

UL CLASSIFIED FOR RETROFIT COMPATIBILITY

Check that the existing housing is one of the following compatible fixtures.

1. Retrofit has an E26 Edison screw-base.
2. **DLED4AR** and **DLED6AR** can be used in existing housings with opening of 4 or 6". These fixtures are UL Classified for retrofit in the following housings:
 - Halo: Housing Series H99TAT
 - Elite: B4, B4IC, BL4_Baffle, ID4-AT
 - Nora: NS-401QAE, NS-401QAT, NSR-404QAT
 - Halo: Housing Series H7x, H27x, ET7x, Ei7x, ET27x, EI27x. Halo H750ICAT, H750RICAT, H750T and H750TCP series recessed LED housings.
 - Juno: IC22, IC22R, IC22W, IC22S, IC23, IC23W, IC21, IC21R, TC2, TC2R
 - Capri: CR1, PR1, QL1, R9ASIC
 - Lightolier: 1104ICS, 11041CR, 1104SIC, 1104SICR
 - Progress: P87-AT, P86TG
 - Lithonia: L7X, L7XP
 - Thomas: PST, R9ASIC/PS9RM
 - Prescolite: IBXS
 - Commercial Electric: H3
 - Elco: EL71CA
 - Elite: B6IC-AT-W