

INCANDESCENT H SYSTEM FLOODS



An interchangeable system of Premium Landscape Floodlights Hoods, Guards and Visors.



New!

H101 Bell

Large size flood for easier relamping and glare reduction. Durable one piece die casting with rugged mounting arm, weatherproof gasket and drain holes. Accepts 150 watt PAR 38 max. Lamp not supplied.

- Finish:
- Bronze
 - Black
 - White
 - Verde Green

New!

Rugged die cast aluminum housing with powder coat finish

Lamp recessed 1" from lip for side glare reduction

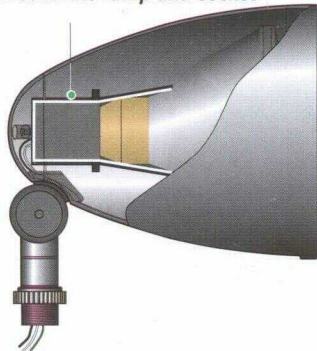
Set screw for hood, grill or visor attachment

Heavy duty mounting arm with internal O-ring, locking teeth, and stainless steel screw

EZ Grip locknut matches fixture finish and can be adjusted with fingers, pliers or a screwdriver



Large Silicone rubber gasket provides weatherproof protection around the lamp and socket



HV Visor with integral grill and glass lens for maximum glare reduction and lamp protection



HG Guard: Protects lamp from damage and vandalism

HH Hood with glass lens reduces glare and protects lamp from water and impact damage

Catalog Numbers

Bronze	Black	White	Verde Green
H101A	H101B	H101W	H101VG

Specifications

UL Listing:

Suitable for wet locations
Can be aimed above horizontal with accessory hood or visor

Sockets:

Porcelain with all copper current carrying components

Compatibility with H100:

The H System floods and accessories replaces the now discontinued RAB H100 and accessories. Parts are not interchangeable. RAB will maintain stocks of the old H100. Contact factory for price and availability.

Swivels:

Fully adjustable with sure-grip locks. 1/2" NPS threaded arm with serrated locking swivel fits all standard mounting covers. Color matched EZ Grip lock nuts. Stainless steel screw.

Housings:

Die cast aluminum with powder coat finish

Lamps:

Medium base PAR-38 lamps up to 150 watts. Halogen lamps can give brighter light and choice of beam spreads.

Product info by Fax 24 / 7

Call RAB Fax Back at 888 722-1236.
Enter document numbers shown below:

	Catalog Page	Installation Manual
H101	280	252
HB101	280	253
HH1 Hood	280	254
HG1 Guard	280	255
HV1 Visor	280	256

For more info on RAB FaxBack see p.98.

Product Info on the Internet:

www.rabweb.com, click "support"

Dimensions

