

L FLOODTM
LED FLOODLIGHT



Meet the New Face of Floodlights



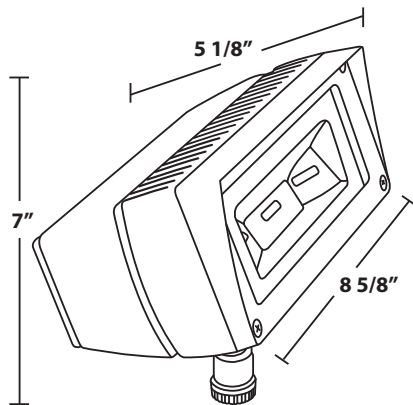
**Replaces
70 Watt
Metal Halide
Floodlight**

RAB[®]
LIGHTING
www.rabweb.com • 888-722-1000

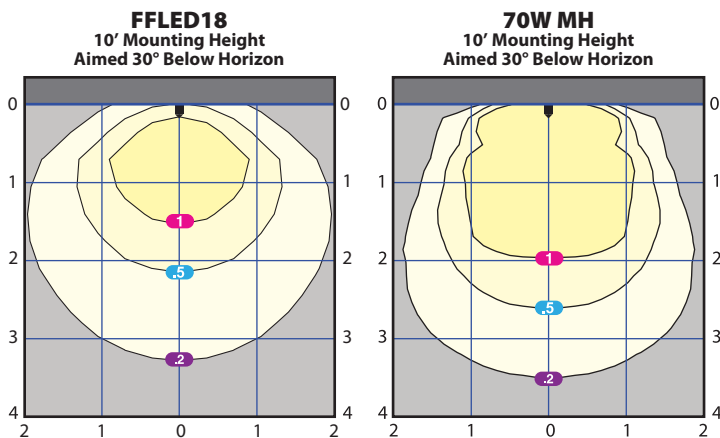
FFLED18

- 18 Watt High-Performance LED
- Replaces 70W MH Floodlights
- Highly Efficient: 73 Lumens Per Watt
- 50,000 Hour Life Based on LM-80 Tests
- Air-Flow Technology Heatsink
- 5-Year Warranty
- NEMA Type - 7H x 6V

Dimensions



Photometrics

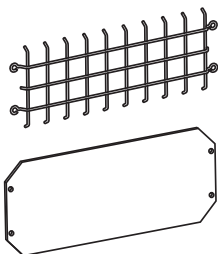


Multiples of Mounting Height. Values shown in Footcandles.

Catalog Numbers & Accessories

FFLED18	Bronze, Cool Light
FFLED18W	White, Cool Light
FFLEDN18	Bronze, Neutral Light
FFLEDN18W	White, Neutral Light
FFLEDY18	Bronze, Warm Light
FFLEDY18W	White, Warm Light

GDDFFLED18W	Wire Guard
GDDFFLED18P	Shield



Specifications

UL Listing

Suitable for wet locations.
Suitable for mounting within 4' of the ground.



LEDs

Three multi-chip 6W, high-output, long-life LEDs

Driver

Constant Current, Class 2, 100 - 277V, 50 - 60 Hz,
100 - 277VAC: 0.4 Amps

Input Watts	22
Output Lumens*	1624
Lumens Per Watt*	73
Surge Protection	6 KV

Cold Weather Starting

The minimum starting temperature is -40°C.

Heatsink

Superior heat sinking with external Air-Flow fins

Housing

Die-cast aluminum housing, lens frame and mounting arm

Mounting

Heavy-duty mounting arm with "O" ring seal & stainless steel screw

Color Stability

RAB LED products significantly exceed Energy Star Requirements for Chromatic Stability during LM-80 Testing.

Color Accuracy

70 CRI

Color Temperature (Nominal CCT)

5000K

Color Uniformity

RAB's range of CCT (Correlated Color Temperature) follows the guidelines of the American National Standard for Specifications for the Chromaticity of Solid State Lighting (SSL) Products, ANSI C78.377-2008.

Reflector

Semi-specular anodized aluminum

Gaskets

High-temperature silicone gaskets

Finish

Chip and fade resistant polyester powder coat finish in bronze or white

Green Technology

Mercury and UV free

IESNA LM-79 & LM-80 Testing

RAB LED luminaires have been tested by an independent laboratory in accordance with IESNA LM-79 and LM-80, and have received the Department of Energy "Lighting Facts" label.

California Title 24

FFLED18 complies with California Title 24 building and electrical codes.

* Values shown for cool temperature. Visit www.rabweb.com for neutral and warm.

