

BRK[®]

THE PROFESSIONAL STANDARD



WIRELESS INTERCONNECT

All Alarms Respond as One

Cost Effective Retrofit & Remodel Solutions



Exclusive!
Voice Warning!
WITH LOCATION[™]

BRK®

THE PROFESSIONAL STANDARD



WIRELESS INTERCONNECT

Cost Effective Retrofit & Remodel Solutions

- Wireless interconnect technology eliminates the need to pull wires through existing walls
- Save an average of between \$150 - \$200** per alarm when compared to retrofitting hardwired alarms in existing walls or ceilings
- Faster job turnaround - 4X more jobs completed increases your profits
- Photoelectric sensing technology saves maintenance calls with fewer nuisance alarms

Putting the Innovation in Renovation

When it comes to alarm renovation and retrofit projects, choices have been limited. Installing battery operated alarms and sacrificing interconnectability or investing in the time and labor to retrofit hardwired alarms have been the only options available.* Until Now! BRK Wireless Interconnect eliminates the need to pull wires through existing walls saving time, money and labor.

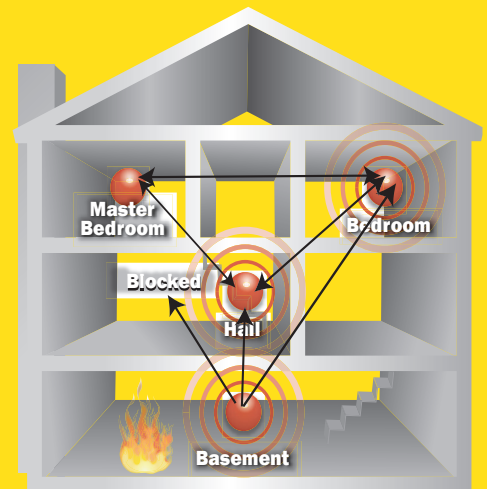
No matter what your renovation project, BRK Wireless Interconnect provides a cost effective solution:

Home Addition Projects:

Using the BRK Wireless Interconnect hardwired "Bridge Unit" (SA520B), simply replace one hardwired alarm in the existing section and add one to the new section. Wireless technology saves time, material and labor to connect to the existing alarm circuit. Now add standard BRK hardwired alarms as required in the new section and other BRK Wireless Interconnect battery alarms in the old section to complete the alarm safety system and bring entire home up to code. All alarms, hardwired and battery, existing and new are now interconnected.

Retrofit Projects:

Property Owners, Facility Managers and Electrical Contractors can all benefit from installing BRK Wireless Interconnect alarms for existing retrofit projects. Saving \$150 - \$200** per alarm and increasing job turnaround 4X are key reasons to consider BRK Wireless Interconnect alarms for all of your renovation projects.



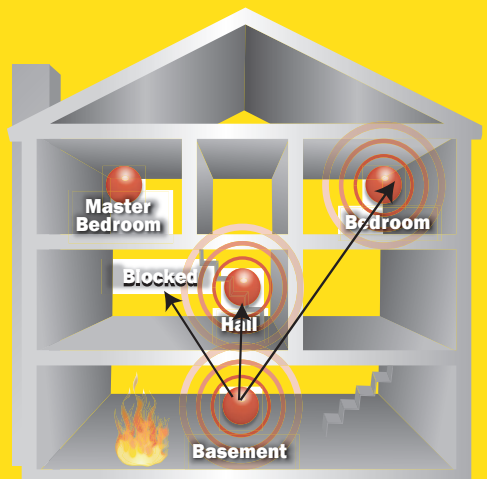
BRK®
THE PROFESSIONAL STANDARD

WIRELESS INTERCONNECT

Mesh Network Communication

Mesh Network Communication

BRK Wireless Interconnect alarms operate on a "mesh network"; a 2-way communication format that sends, receives and then re-sends the alarm signals. If the initiating alarm signal is blocked from reaching one of the alarms, the mesh network communication reroutes and re-sends the signal via the other alarms as shown in the illustration. With competitive one-way wireless communication, only the initiating alarm sends a signal which may never be received, leaving the blocked alarm deadly silent.



Competitive Wireless One-Way Communication

*Local codes permitting

**Note: Based on average retrofitting costs of time, material and labor to connect to existing alarm circuit, drywall repairs, painting, etc. Special cases that require conduit, wire mold, concrete drilling, etc. would add additional costs and increase savings.

This product is intended for non-professional do it yourself installation. If you would like information about a professionally installed and monitored system, please contact First Alert Professional at 1-800-921-6025. First Alert Professional is not affiliated with BRK Brands, Inc.

Innovative Features

WIRELESS INTERCONNECT

Reliable and secure radio frequency communication between alarms. 915 MHz frequency with 65,000 security codes and 3 channel frequency hopping.

MESH NETWORK COMMUNICATION

2-way communication format that sends, receives and re-sends the alarm signals providing a more reliable network.

VOICE WARNING WITH LOCATION

Exclusive! Programmable with up to 11 locations (ex. "basement"). When alarm sounds (if programmed for basement), it will say, "Warning, Evacuate, Smoke in Basement". If other BRK Wireless Interconnect Voice Warning alarms are located throughout the house they will also signal, "Warning, Evacuate, Smoke in Basement".

PHOTOELECTRIC TECHNOLOGY

Helps reduce nuisance alarms, especially around kitchens and baths which are more prone to nuisance alarms from cooking smoke and shower steam.

OPTIPATH 360 TECHNOLOGY™

Patented technology provides 360 degrees of direct access to smoke sensor.

SPREAD SPECTRUM HORN TONE

Lower and varying horn frequency makes it easier for elderly with normal age related hearing loss to hear horn. Sweeps through the 2200 - 3400 Hz range.

LATCHING FEATURES

Alarm Latch: Easily identifies initiating alarm even after alarm condition has subsided. **Low Battery Latch:** Identifies which unit is in low battery condition. Both features activate for up to 15 minutes. (excludes SA520B).

SILENCE FEATURE

Silences unwanted alarms. Two silence features - Temporarily silence low battery chirp for up to 8 hours before replacing battery or silence unwanted alarm for several minutes.

SCO500B - Battery Smoke/CO Combo



WIRELESS PHOTOELECTRIC & ELECTROCHEMICAL CO BATTERY POWERED

- Easily add Smoke/CO Combo alarms outside bedrooms and on every level of the home to create a wireless safety network.

Exclusive!
Voice Warning!
WITH LOCATION™



SA511B - Battery Smoke Alarm



WIRELESS PHOTOELECTRIC BATTERY POWERED

- Easily add smoke alarms to every bedroom to create a wireless safety network.

Exclusive!
Voice Warning!
WITH LOCATION™



SA520B - Hardwired Smoke Alarm



BRIDGE UNIT - WIRELESS PHOTOELECTRIC 120V WITH BATTERY BACKUP

- Easily expand an existing interconnected 120V AC system by replacing one alarm in the series with this Bridge Unit alarm.
- Add additional battery-operated BRK Wireless Interconnect Alarms to create a wireless safety network.



CO511B - Battery CO Alarm



WIRELESS ELECTROCHEMICAL CO BATTERY POWERED

- Easily add CO alarms outside bedrooms and on every level of the home to create a wireless safety network.

Exclusive!
Voice Warning!
WITH LOCATION™



PRODUCT TECHNICAL SPECIFICATIONS

SCO500B

Alarm Weight:	8.4 oz
Individual Carton Weight:	0.66 lbs.
Master Carton Weight:	8.4 lbs.
Pallet Weight:	794 lbs.
Operating Voltage:	3V (Two 1.5V AA) Battery Powered
Smoke Sensor:	Photoelectric
CO Sensor:	Electrochemical
Listing:	ETL to UL217 and UL2034 Standards
UPC:	0 29054 51306 9
I 2of5:	100 29054 51306 6

SA511B

Alarm Weight:	8.4 oz
Individual Carton Weight:	0.66 lbs.
Master Carton Weight:	8.4 lbs.
Pallet Weight:	794 lbs.
Operating Voltage:	3V (Two 1.5V AA) Battery Powered
Smoke Sensor:	Photoelectric
Listing:	ETL to UL217 Standard
UPC:	0 29054 00292 1
I 2of5:	100 29054 00292 8

SA520B

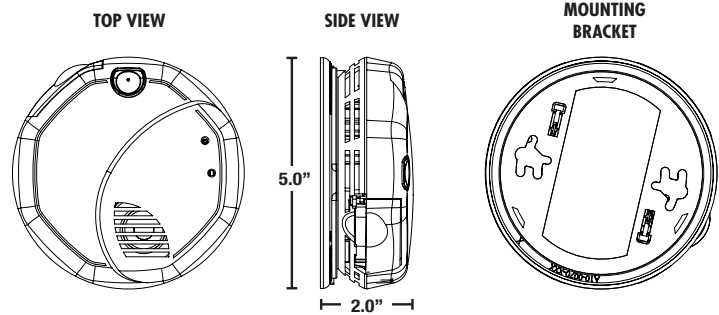
Alarm Weight:	9.3 oz
Individual Carton Weight:	0.74 lbs.
Master Carton Weight:	9.4 lbs.
Pallet Weight:	882 lbs.
Operating Voltage:	120V AC with battery backup (Two 1.5V AA Batteries)
Smoke Sensor:	Photoelectric
Listing:	ETL to UL217 Standard
UPC:	0 29054 00205 1
I 2of5:	100 29054 00205 3

CO511B

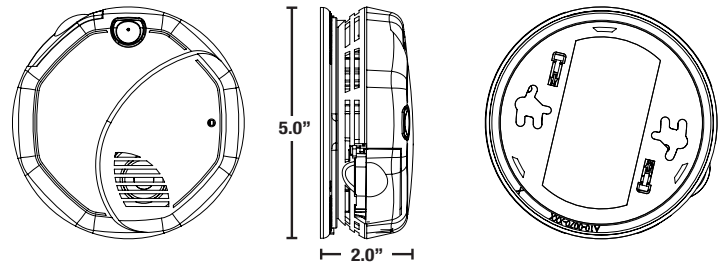
Alarm Weight:	8.4 oz
Individual Carton Weight:	0.66 lbs.
Master Carton Weight:	8.4 lbs.
Pallet Weight:	794 lbs.
Operating Voltage:	3V (Two 1.5V AA) Battery Powered
CO Sensor:	Electrochemical
Listing:	ETL to UL2034 Standard
UPC:	0 29054 00291 4
I 2of5:	100 29054 00291 1

LINE DRAWING SPECIFICATIONS

SCO500B, SA520B AND CO511B



SA511B



COMMON TECHNICAL SPECIFICATIONS

Alarm Dimensions:	5.0" Dia. x 2.0"H
Temperature Range:	40°F (4°C) to 100°F (38°C)
Humidity Range:	10% to 95% relative humidity (RH)
Audio Alarm:	85dB at 10 feet
Voice Output:	Choice of 11 pre-programmed locations (excludes SA520B)
Wireless Frequency:	915 MHz. FCC approved. Complies with Part 15 of the FCC Rules.
RF Linking:	Automatic with 65,000 security codes
Test/Silence:	Electronically simulates smoke, CO or both conditions depending on model, causing the unit to alarm. Press and hold test/silence button.
Alarm Reset:	Automatic when smoke and/or CO clears depending on model
Interconnections:	Up to 18 units, RF or hardwired (needs SA520B Bridge Unit), with smoke, carbon monoxide, heat alarms and relays. Maximum 12 smoke alarms.

COMMON SHIPPING SPECIFICATIONS

Individual Carton

Dimensions	5.13"L x 2.38"W x 5.13"H
Cube	0.04 ft ³

Master Carton

Dimensions	10.75"L x 7.88"W x 11.06"H
Master Pack	12
Cube:	0.54 ft ³

Pallet Information

Cases per Layer	22
Number of Layers:	4
Cases per Pallet:	88
Units per Pallet:	1,056
Cube:	54 ft ³



brkelectronics.com

©2015 BRK Brands, Inc. a Jarden Corporation
Company (NYSE: JAH)
3901 Liberty Street Road
Aurora, IL 60504-8122
All rights reserved

First Alert is a registered trademark of the First Alert Trust
BRK is a registered trademark of BRK Brands, Inc.
CM3223