



Adapts lanterns to sensor operation. Controls 500 Watts incandescent or 250 Watts Fluorescent. Adjusts to fit small or large size lanterns. Sensor moves 6" up or down to clear lanterns handle. Straight wall and clapboard plate provided. 180sensor with tilt-down adjustment.

Color: White

Weight: 1.7 lbs

Project:	Type:
Prepared By:	Date:

Technical Specifications

Listings

UL Listed:

Suitable for wet locations

Construction

Compatibility:

Compatible with most electronic ballasts. Not compatible with instant start ballasts.

Electrical

Voltage:

120 volts AC 60 Hz

Manual Override:

Double flip wall switch logic prevents activation by brief power outages. Resets after 8 hours. No extra wiring needed.

Surge Protection:

Withstands up to 3000 volts

RF Immunity:

Circuits fully shielded for maximum radio frequency immunity

Relay On/Off Model:

500 watts Incandescent or 250 watts Fluorescent @ 120V

Switching Capacity:

Relay On/Off Model Switches 240 watts when lights are mounted to sensor. 500 watts Incandescent or 240 watts Fluorescent of remotely mounted lighting @ 120 volts.

Sensor Specifications

Time Adjustment:

5 seconds to 15 minutes

Quick Test Time:

5 second test time for fast installation. Works day or night.

"No Hands" Auto Testing:

Auto mode starts after 4 minutes of testing. No adjustment needed.

Photoelectric Control:

Deactivates lights during daylight. Fully adjustable for 24 hour operation or custom applications.

Detection:

180° detection pattern with tilt-down adjustment

LED Characteristics

LED Detection Indicator:

LED glows red day & night for "on guard" deterrence

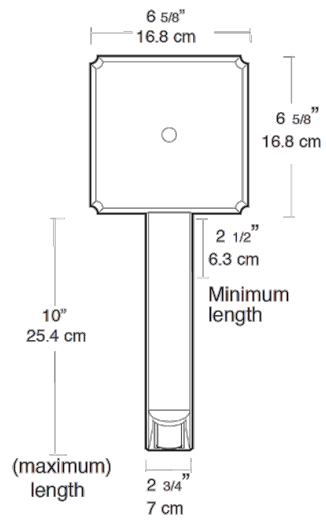
Other

Warranty:

5-year sensor warranty

Buy American Act Compliance:

RAB values USA manufacturing! Upon request, RAB may be able to manufacture this product to be compliant with the Buy American Act (BAA). Please contact customer service to request a quote for the product to be made BAA compliant.

Dimensions**Features**

- Surge protected
- 180 detection patterned
- Quick installation with 5 second test time and auto test logic
- LED "on guard" indicator
- Protected manual override with auto reset after 8 hours or at dawn