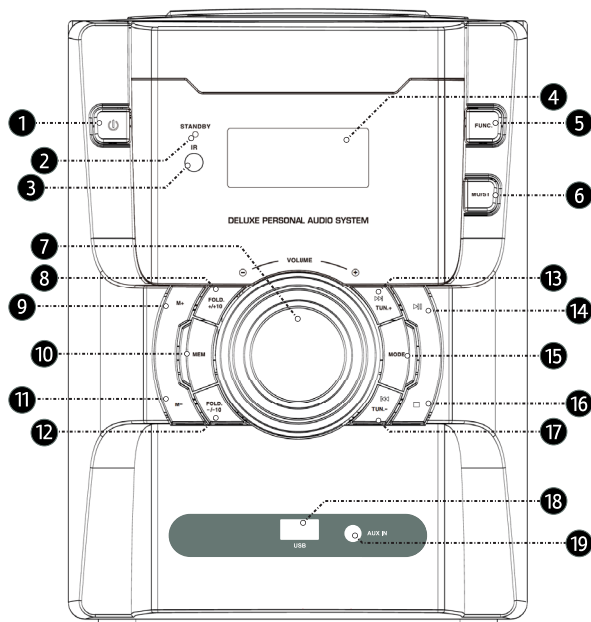




Portable MP3/CD Player with  
PLL FM Stereo Radio & USB Input

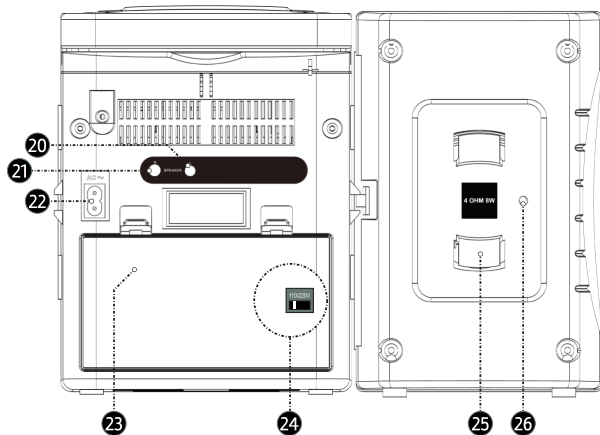
# At a Glance



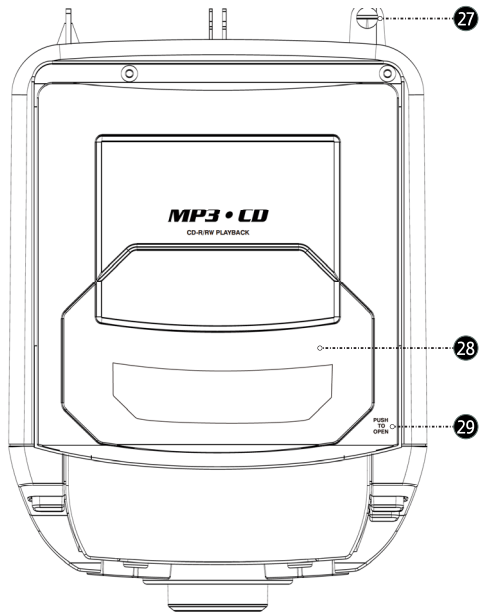
1	Power	Press to turn the unit on, or to place it in Standby mode (off).
2	Standby indicator	Lights red when the unit is in standby mode.
3	IR receiver	Detects signals from the remote control.
4	Screen	Displays status information.
5	Function	Press to change the function mode (CD, USB, FM, AUX).
6	Mono/Stereo	FM mode: Press to toggle the radio reception mode between mono and stereo. (Choose mono if reception is poor.)
7	Volume knob	Turn to adjust the volume level.
8	Folder +, +10	CD, USB modes: Press to go to the next folder, or to skip forward 10 tracks.
9	Memory +	FM mode: Press to tune to a higher preset station.

10	Memory	FM mode: Press to save a station to preset memory.
11	Memory –	FM mode: Press to tune to a lower preset station.
12	Folder –, –10	CD, USB modes: Press to go to the previous folder, or to skip back 10 tracks.
13	Next, Tuning +	CD, USB modes: Press to skip to the next track. FM mode: Press to tune to a higher station frequency.
14	Play/Pause	CD, USB modes: Press to start or pause playback.
15	Mode	CD, USB modes: Press to change the playback mode (repeat, repeat all, random).
16	Stop	CD, USB modes: Press to stop playback.

17	Previous, Tuning –	CD, USB modes: Press to skip to the previous track. FM mode: Press to tune to a lower station frequency.
18	USB port	Connect USB memory drives here and then press Function [5] to place the unit in USB mode.
19	AUX input	Connect audio players here and then press Function [5] to place the unit in AUX mode.



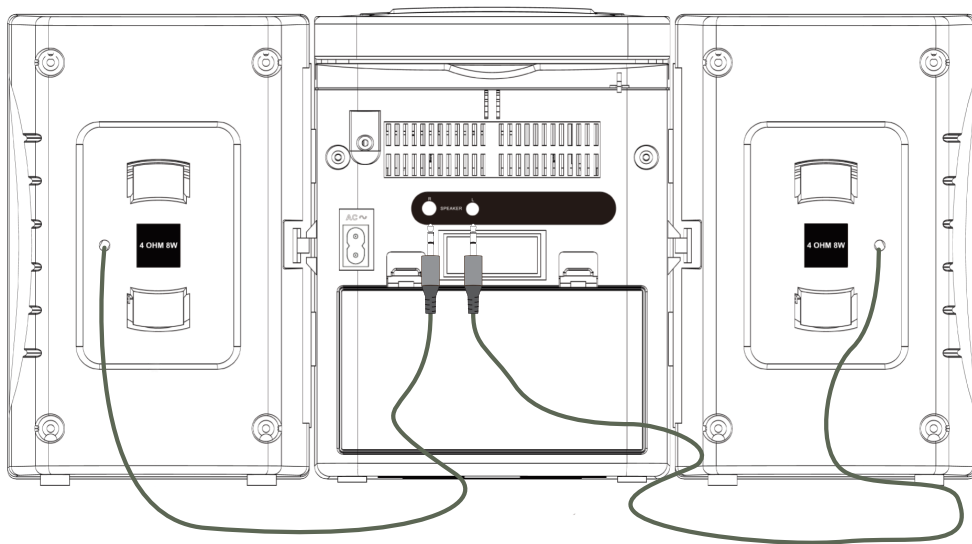
20	Left speaker input	Connect the left speaker cable here.
21	Right speaker input	Connect the right speaker cable here.
22	AC power socket	Connect to a household power socket with the included power cord.
23	Battery compartment	Load eight "D" size batteries in the battery compartment in order to power the unit with batteries.
24	AC voltage switch	Remove the battery compartment lid to find the AC voltage switch. Use a flat head screwdriver to set the switch.
25	Speaker cable manager	Wrap the speaker cable around the manager to keep it out of the way.
26	Speaker cable lead	Connect the speaker cable to the speaker input on the center unit.



27	Antenna	Extend the antenna fully and adjust its position to optimize radio reception.
28	CD compartment	Load compact discs here. The label side should face up.
29	CD compartment release	Press down on this corner to release the latch and open the CD compartment lid.  <b>Never open the compartment while a CD is playing or spinning!</b>

# Connect the Speakers

Plug the speaker cables running from the back of each speaker to the left and right speaker inputs [20, 21] found on the back of the unit.



# About the Speakers

The speakers can be installed attached to or detached from the main unit.

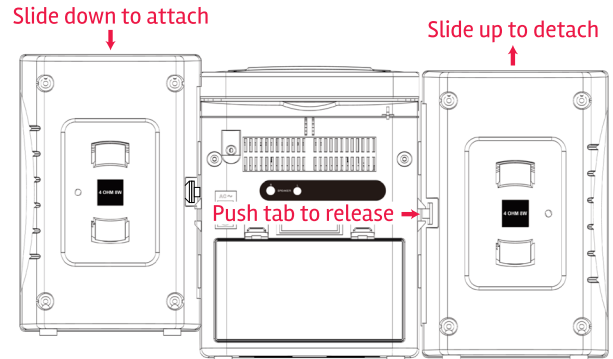
- Attach the speakers when you want to travel with the unit.
- Detach the speakers and position them as far away from each other as possible in order to increase stereo separation.

## To attach the speakers

1. Position the speaker next to the main unit so that:
  - The top of the speaker rises one inch above the top of the main unit, and
  - The four hooks on the main unit sit flush inside the rectangular indent on the speaker.
2. Slowly slide the speaker down until the retaining tab on the speaker clicks into the latch on the main unit.

## To detach the speakers

1. Press the retaining tab down towards the speaker.
2. Slide the speaker up and then away from the main unit.



# Connect Power

The unit can be powered by AC household power, or by batteries.

## AC Power

**Make sure the AC voltage switch [24] is set to match the voltage supplied in your region.** Contact your local power utility if you are not sure which type of power you have.

The voltage switch is located inside the battery compartment [23] found on the back of the main unit. (Set this switch to 110V in North America.)

1. Remove the battery compartment lid to reveal the AC voltage switch.
2. Push gently on the switch with a flat head screwdriver to set it. Push the switch to the left to set the voltage to 110V; push the switch to the right to set the voltage to 220V
3. Replace the battery compartment lid.

4. Connect the AC power socket [22] to a household power socket with the included power cord.

## Battery Power

Install 8 “D” size batteries to enjoy music wherever you are.

1. Remove the lid from the battery compartment [23] found on the back of the main unit.
2. Load eight “D” size batteries, taking care to match the polarities marked on the inside of the compartment.



# Support

If you have problems with your device, please consult the instructions in this manual. Please also visit us on the web at [www.naxa.com](http://www.naxa.com) to get up to the minute news, alerts, and documentation for your device. For additional assistance, please contact Naxa Technical Support.

NAXA Technical Support  
2320 East 49th St.  
Vernon, CA 90058

[http://www.naxa.com/naxa\\_support/](http://www.naxa.com/naxa_support/)

