



Project:	Type:
Prepared By:	Date:

360 degrees view Super Ceiling Sensor with Triple Overlapping Coverage for super sensitivity. No extra wires to run or extra boxes to install. Covers 2152 sf @ 9' height.

Color: White

Weight: 0.6 lbs

Technical Specifications

Construction

Easy Installation:

Relay and sensor all in one reduces installation cost. Compatible with program start ballasts. Not compatible with instant start ballasts. LED testing and operation indicator.

Sensor Characteristics

Maximum Reliability:

Adjustable detector sensitivity for superior detection

Maximum Versatility:

Adjustable time delay. Sensor detection pattern can be customized. No minimum load requirement. Can be wired in parallel.

Time Delay:

10 seconds to 15 minutes

Detection:

360° view Super Ceiling Sensor

Optical

Coverage Area:

2152sf @ 9'

Electrical

Incandescent Watts Switched:

2000 watts

Fluorescent Watts Switched:

2000 watts

Ratings Amps Horsepower:

16 amps 6.7 horsepower.

Power Consumption:

Negligible

Manual Switch:

None

Other

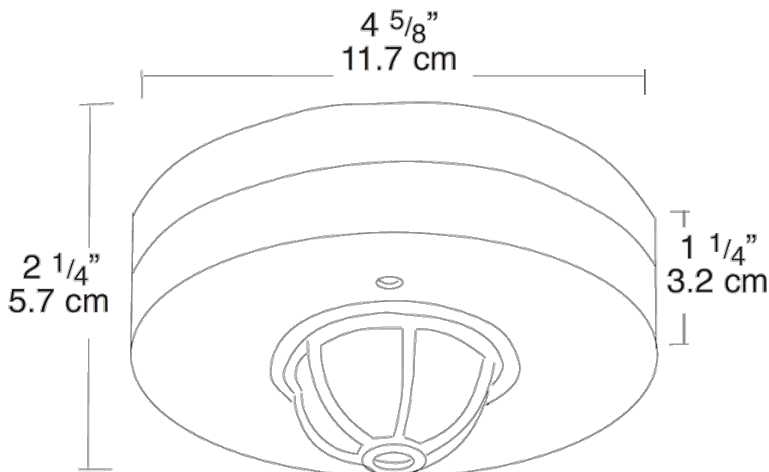
Adjustments:

Photo Time Sensitivity

Buy American Act Compliance:

RAB values USA manufacturing! Upon request, RAB may be able to manufacture this product to be compliant with the Buy American Act (BAA). Please contact customer service to request a quote for the product to be made BAA compliant.

Dimensions



Features

- Super Ceiling Sensor has 3 detectors for triple overlapping coverage to catch small movements
- LED testing and operation Indicator
- Maximum coverage - 360 or hallway models
- Relay and sensor all in one unit reduces installation costs
- Can be wired in parallel
- Compatible with program start ballasts