



Color: Bronze

Weight: 4.3 lbs

**Project:**

**Type:**

**Prepared By:**

**Date:**

### Driver Info

|             |                  |
|-------------|------------------|
| Type        | Constant Current |
| 120V        | 0.12A            |
| 208V        | 0.09A            |
| 240V        | 0.08A            |
| 277V        | 0.07A            |
| Input Watts | 15.60W           |
| Efficiency  | 83%              |

### LED Info

|                |              |
|----------------|--------------|
| Watts          | 13.00W       |
| Color Temp     | 5000K (Cool) |
| Color Accuracy | 72 CRI       |
| L70 Lifespan   | 100,000      |
| Lumens         | 1,799        |
| Efficacy       | 115.3 LPW    |

## Technical Specifications

### Listings

#### UL Listed:

Suitable for wet locations. Suitable for ground mounting.

#### IESNA LM-79 & IESNA LM-80 Testing:

RAB LED luminaires and LED components have been tested by an independent laboratory in accordance with IESNA LM-79 and LM-80.

#### DLC Listed:

This product is listed by Design Lights Consortium (DLC) as an ultra-efficient premium product that qualifies for the highest tier of rebates from DLC Member Utilities. DLC Product Code: PV5TSVJA

### LED Characteristics

#### Lifespan:

100,000-hour LED lifespan based on IES LM-80 results and TM-21 calculations

#### Lumen Maintenance:

The LED will deliver 70% of its initial lumens at 100,000 hours of operation

#### Color Consistency:

7-step MacAdam Ellipse binning to achieve consistent fixture-to-fixture color

#### Color Stability:

LED color temperature is warrantied to shift no more than 200K in CCT over a 5-year period

#### Color Uniformity:

RAB's range of CCT (Correlated Color Temperature) follows the guidelines of the American National Standard for Specifications for the Chromaticity of Solid State Lighting (SSL) Products, ANSI C78.377-2017.

### Construction

#### Swivels:

Fully adjustable with sure-grip locks. 1/2" NPS threaded arm with serrated locking swivel fits all standard mounting covers. Color matched EZ Grip lock nuts. Stainless steel screw.

#### Housing:

Precision die-cast aluminum housing

#### Gaskets:

High-temperature Silicone

#### Finish:

Formulated for high durability and long-lasting color

#### Green Technology:

Mercury and UV free. RoHS-compliant components.

#### Cold Weather Starting:

Minimum starting temperature is -40°C (-40°F)

#### Maximum Ambient Temperature:

Suitable for use in 40°C (104°F)

#### LFLOOD 13W:

LED Floodlight that reduces energy consumption by 85% compared to 100W PAR38. Spot and Flood beam patterns. Recommended for Residential and Commercial applications.

### Other

#### Warranty:

RAB warrants that our LED products will be free from defects in materials and workmanship for a period of five (5) years from the date of delivery to the end user, including coverage of light output, color stability, driver performance and fixture finish. RAB's warranty is subject to all terms and conditions found at [rablighting.com/warranty](http://rablighting.com/warranty).

#### Patents:

LFLOOD thermal Management technology is protected under utility patents pending in the U.S., Canada and China.

#### Buy American Act Compliance:

RAB values USA manufacturing! Upon request, RAB may be able to manufacture this product to be compliant with the Buy American Act (BAA). Please contact customer service to request a quote for the product to be made BAA compliant.

## Technical Specifications (continued)

### Optical

#### Reflectors:

NEMA 5x5 floodlight reflector. Photometrics show flood configuration.

### Electrical

#### Driver:

Multi-chip 13W high output long life LED Driver  
Constant Current, 100V - 277V, 50/60 Hz

#### THD:

8.29% at 120V, 11.04% at 277V

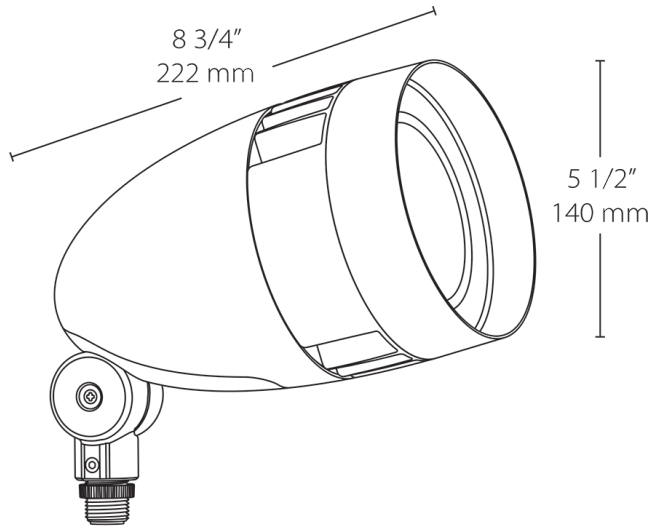
#### Power Factor:

99.2% at 120V, 93.3% at 277V

#### Surge Protection:

4kV

## Dimensions



## Features

- 80% energy savings vs. PAR floods
- Mount on junction box or on RAB Mighty Post
- Patent-pending "Air-Flow" technology
- 5-Year, No-Compromise Warranty

## Ordering Matrix

| Family | Wattage              | Color Temp  | Finish   | Driver Options  |
|--------|----------------------|---|--|---|
| HBLED  | 13                   |   | A  |   |
|        | 18 = 18W<br>26 = 26W | Blank = 5000K (Cool)<br>N = 4000K (Neutral)<br>Y = 3000K (Warm) | A = Bronze<br>W = White<br>B = Black<br>VG = Verde Green | Blank = No Option<br>/D10 = 0-10V Dimming<br>/480 = 480V (Only available for 26W) |