



Gotcha Sensor with 110° view, surge protection, 500 Watt switching capacity, auto test logic and manual override.

Color: White

Weight: 0.8 lbs

Project:	Type:
Prepared By:	Date:

Technical Specifications

Listings

UL Listing:

Suitable for wet locations

Electrical

Voltage:

120 or 277 volts AC 60 Hz

Power Consumption:

1W

Surge Protection:

Withstands up to 6000 volts

Wall Switch Manual Override:

Two flip logic prevents activation by momentary power outages. Override resets to auto after 6 hours or at dawn. No extra wiring needed.

Switching Capacity:

500 watts Incandescent @120 volts, 5 amps 250 watts Fluorescent

Sensor Characteristics

Time Adjustment:

10 seconds to 5 minutes

Photoelectric Control:

Deactivates lights during daylight. Fully adjustable for 24 hour operation or custom applications.

Sensor Housing:

Made of tough, corrosion resistant polycarbonate

Detection:

110° view

Other

Detector Sensitivity:

Adjustable from 100% to 50%

Warranty:

5 year sensor warranty

Buy American Act Compliance:

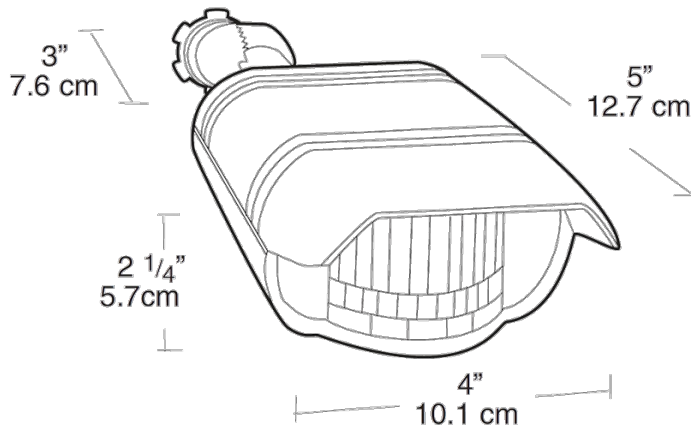
RAB values USA manufacturing! Upon request, RAB may be able to manufacture this product to be compliant with the Buy American Act (BAA). Please contact customer service to request a quote for the product to be made BAA compliant.

Construction

Floodlights:

Made of tough, corrosion-resistant polycarbonate. For extra or replacement floodlights, order cat# TUFFY in your choice of color. Accepts PAR-38 lamps, medium base, 150 watts max. Lamps not included.

Dimensions



Features

- 500 Watt switching capacity
- New vandal resistant grill
- 6000 volt surge protection
- Temperature compensation
- Protected manual override with auto reset
- Double look down lens
- 5 year warranty