



Color: Bronze

Weight: 20.9 lbs

**Project:**

**Type:**

**Prepared By:**

**Date:**

### Driver Info

|             |                  |
|-------------|------------------|
| Type        | Constant Current |
| 120V        | 1.39A            |
| 208V        | 0.81A            |
| 240V        | 0.70A            |
| 277V        | 0.60A            |
| Input Watts | 163.60W          |
| Efficiency  | 92%              |

### LED Info

|                |              |
|----------------|--------------|
| Watts          | 150.00W      |
| Color Temp     | 5000K (Cool) |
| Color Accuracy | 72 CRI       |
| L70 Lifespan   | 100,000      |
| Lumens         | 20,686       |
| Efficacy       | 126.4 LPW    |

## Technical Specifications

### Listings

#### UL Listed:

Suitable for wet locations. Suitable for mounting within 1.2m (4ft) of the ground.

#### IESNA LM-79 & IESNA LM-80 Testing:

RAB LED luminaires and LED components have been tested by an independent laboratory in accordance with IESNA LM-79 and LM-80.

#### DLC Listed:

This product is listed by Design Lights Consortium (DLC) as an ultra-efficient premium product that qualifies for the highest tier of rebates from DLC Member Utilities. DLC Product Code: P0000173K

### LED Characteristics

#### Lifespan:

100,000-hour LED lifespan based on IES LM-80 results and TM-21 calculations

#### LEDs:

Long-life, high-efficacy, surface-mount LEDs

#### Color Stability:

LED color temperature is warranted to shift no more than 200K in CCT over a 5-year period

#### Color Uniformity:

RAB's range of CCT (Correlated Color Temperature) follows the guidelines of the American National Standard for Specifications for the Chromaticity of Solid State Lighting (SSL) Products, ANSI C78.377-2017.

### Electrical

#### Driver:

Constant Current, Class 2, 120-277V, 50/60 Hz, 120V: 1.39A, 208V: 0.81A, 240V: 0.70A, 277V: 0.60A

#### THD:

1.95% at 120V, 8.2% at 277V

#### Power Factor:

99.9% at 120V, 97.6% at 277V

#### Note:

All values are typical (tolerance +/- 10%)

### Construction

#### IP Rating:

Ingress Protection rating of IP66 for dust and water

#### EPA:

2

#### Ambient Temperature:

Suitable for -40°C (-40°F) to 40°C (104°F)

### Lens:

Tempered glass lens included

### Housing:

Die-cast aluminum housing and door frame

### Mounting:

Heavy-duty slipfitter for 2 3/8"OD pipe

### Finish:

Formulated for high durability and long-lasting color

### Other

#### Warranty:

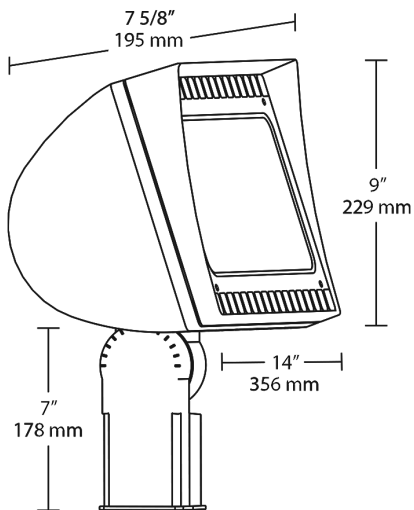
RAB warrants that our LED products will be free from defects in materials and workmanship for a period of five (5) years from the date of delivery to the end user, including coverage of light output, color stability, driver performance and fixture finish. RAB's warranty is subject to all terms and conditions found at [rablighting.com/warranty](http://rablighting.com/warranty).

#### Buy American Act Compliance:

RAB values USA manufacturing! Upon request, RAB may be able to manufacture this product to be compliant with the Buy American Act (BAA). Please contact customer service to request a quote for the product to be made BAA compliant.



## Dimensions



## Features

- 66% energy cost savings vs. HID
- NEMA Type - 6H x 6V
- "Air-Flow" technology heat dissipation
- 100,000-hour LED lifespan
- 5-Year, No-Compromise Warranty

## Ordering Matrix

| Family | Wattage  | Mounting                        | Color Temp  | Finish                      | Driver  | Options   | Other Option                            |
|--------|--|---------------------------------|---|-----------------------------|---|---|---|
| FXLED  | 150  | SF                              |   |                             |   |   |   |
|        | 78 = 78W<br>105 = 105W<br>125 = 125W<br>150 = 150W | SF = Slipfitter<br>T = Trunnion | Blank = 5000K (Cool)<br>N = 4000K (Neutral)<br>Y = 3000K (Warm) | Blank = Bronze<br>W = White | Blank = Standard<br>/D10 = 0-10V Dimming<br>/BL = Bi-Level<br>/480 = 480V | Blank = No Option<br>/LC = Lightcloud® Control<br>/PCT = 100-277V Twistlock<br>/PCT4 = 480V Twistlock | Blank = Standard<br>USA = BAA Compliant |