



Rectangular shaped LED floodlight designed to replace 150W Metal Halide. Patent Pending airflow technology ensures long LED and driver lifespan. Use for building facade lighting, sign lighting, LED landscape lighting and instant-on security lighting.

Color: Bronze

Weight: 12.6 lbs

<b>Project:</b>	<b>Type:</b>
<b>Prepared By:</b>	<b>Date:</b>

Driver Info		LED Info	
Type:	Constant Current	Watts:	39W
120V:	0.35A	Color Temp:	4000K (Neutral)
208V:	0.20A	Color Accuracy:	71 CRI
240V:	0.18A	L70 Lifespan:	100000
277V:	0.15A	Lumens:	5651
Input Watts:	42W	Efficacy:	134 LPW
Efficiency:	92%		

## Technical Specifications

### LED Characteristics

#### Lifespan:

100,000-hour LED lifespan based on IES LM-80 results and TM-21 calculations

#### Note:

All values are typical (tolerance +/- 10%)

#### LEDs:

Two multi-chip, 26Watt high performance LEDs

#### Color Consistency:

3-step MacAdam Ellipse binning to achieve consistent fixture-to-fixture color

#### Color Stability:

LED color temperature is warranted to shift no more than 200K in CCT over a 5 year period

#### Color Uniformity:

RAB's range of CCT (Correlated Color Temperature) follows the guidelines of the American National Standard for (SSL) Products, ANSI C78.377-2017.

### Listings

#### DLC Listed:

This product is on the Design Lights Consortium (DLC) Qualified Products List and is eligible for rebates from DLC Member Utilities.  
DLC Product Code: P0000173J

#### IESNA LM-79 & LM-80 Testing:

RAB LED luminaires and LED components have been tested by an independent laboratory in accordance with IESNA LM-79 and LM-80.

#### UL Listing:

Suitable For Wet Locations. Suitable for ground mounting.

### Construction

#### IP Rating:

Ingress Protection rating of IP66 for dust and water

#### Ambient Temperature:

Suitable For use in 40°C (104°F) ambient temperatures

#### Cold Weather Starting:

Minimum starting temperature is -40°C (-40°F)

#### Thermal Management Housing:

Superior heat sinking with external Air-Flow fins

#### Mounting:

Heavy-duty mounting arm with "O" ring seal & stainless steel screw

#### Effective Projected Area:

EPA = 0.65

#### Reflector:

Specular vacuum-metallized polycarbonate

#### Gaskets:

High-temperature silicone gaskets

#### Finish:

Formulated for high-durability and long lasting color

### Green Technology:

Mercury and UV-free. RoHS compliant components.

### Threaded Size:

1/2" threaded arm

### Optical

#### NEMA Type:

NEMA Beam Spread of 7H x 6V

### Electrical

#### Driver:

Constant Current, Class 2, 1050mA, 100-277V, 50/60Hz, 0.6A, Power Factor 99%

#### Surge Protection:

4kV

### Other

#### Warranty:

RAB warrants that our LED products will be free from defects in materials and workmanship for a period of five (5) years from the date of delivery to the end user, including coverage of light output, color stability, driver performance and fixture finish. RAB's warranty is subject to all terms and conditions found at

#### Patents:

The FFLED design is protected by U.S. Pat. D643,147, Canada Pat. 140798, China Pat. ZL201130171304.1, Mexico Pat. 36757 and pending patent in Taiwan.

#### American Bureau of Shipping (ABS) :

For use on Mobile Offshore Drilling Units (MODU) and shipping vessels

**Technical Specifications (continued)**

**Other**

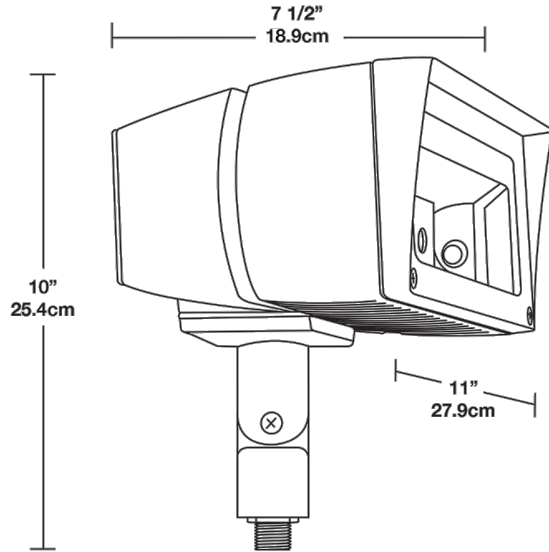
**Equivalency:**

Equivalent to 150W Metal Halide

**Buy American Act Compliance:**

RAB values USA manufacturing! Upon request, RAB may be able to manufacture this product to be compliant with the Buy American Act (BAA). Please contact customer service to request a quote for the product to be made BAA compliant.

**Dimensions**



**Features**

- Ultra efficient LED and optical design
- Replaces 150W MH floodlights
- 100,000 hour life based on LM-80 tests
- Air-flow technology heatsink
- 5-Year, No-Compromise Warranty

**Ordering Matrix**

Family	Wattage	Mounting	Color Temp	NEMA Type	Finish	Driver	Photocell Options	Other Options
FFLED	39	^	N	^	^	^	^	^
	18 = 18W	<b>Blank</b> = Swivel Arm	<b>Blank</b> = 5000K (Cool)	<b>Blank</b> = 7H x 6V	<b>Blank</b> = Bronze	<b>Blank</b> = On/Off <b>/D10</b> = 0-10V Dimming	<b>Blank</b> = No Option <b>/PC</b> = 120V Photocell	<b>Blank</b> = Standard <b>USA</b> = BAA Compliant
	26 = 26W	<b>SF</b> = Slipfitter <b>T</b> = Trunnion	<b>N</b> = 4000K (Neutral)	<b>B55</b> = 5H x 5V	<b>W</b> = White	<b>/480</b> = 480V On/Off (not available for 80W models)	<b>/PC2</b> = 277V Photocell <b>/PCS</b> = 120V Swivel Photocell	
	39 = 39W		<b>Y</b> = 3000K (Warm)	<b>B44</b> = 4H x 4V			<b>/PCS2</b> = 277V Swivel Photocell	
	52 = 52W						<b>/PCS4</b> = 480V Swivel Photocell	
	80 = 80W							