

Talis E
Widespread Faucet 150 with Pop-Up Drain, 1.2 GPM
 Finishes : **chrome** Part no. : **71733001**



Description

Features

- Aerated spray
- Flow: 1.2 GPM (4.5 L/Min)
- 90° ceramic valves
- Includes pop-up drain

Item details

List Price \$ 335.00

Technology



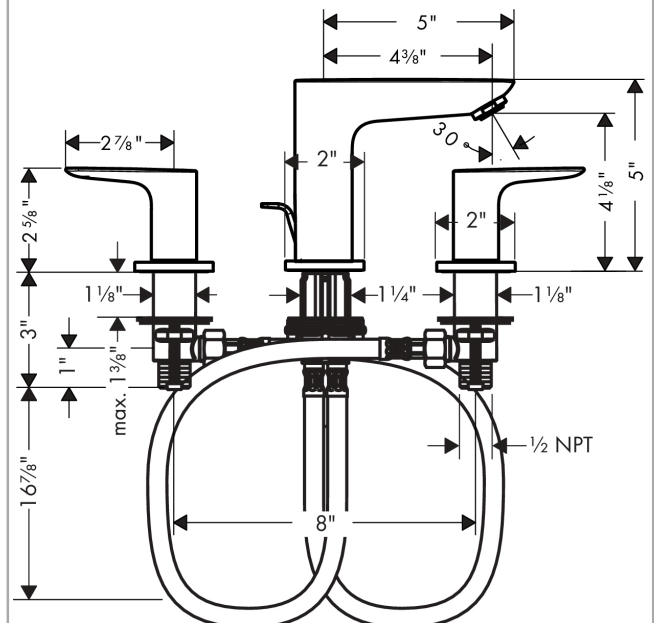
Compliance



Product image



Scale drawing

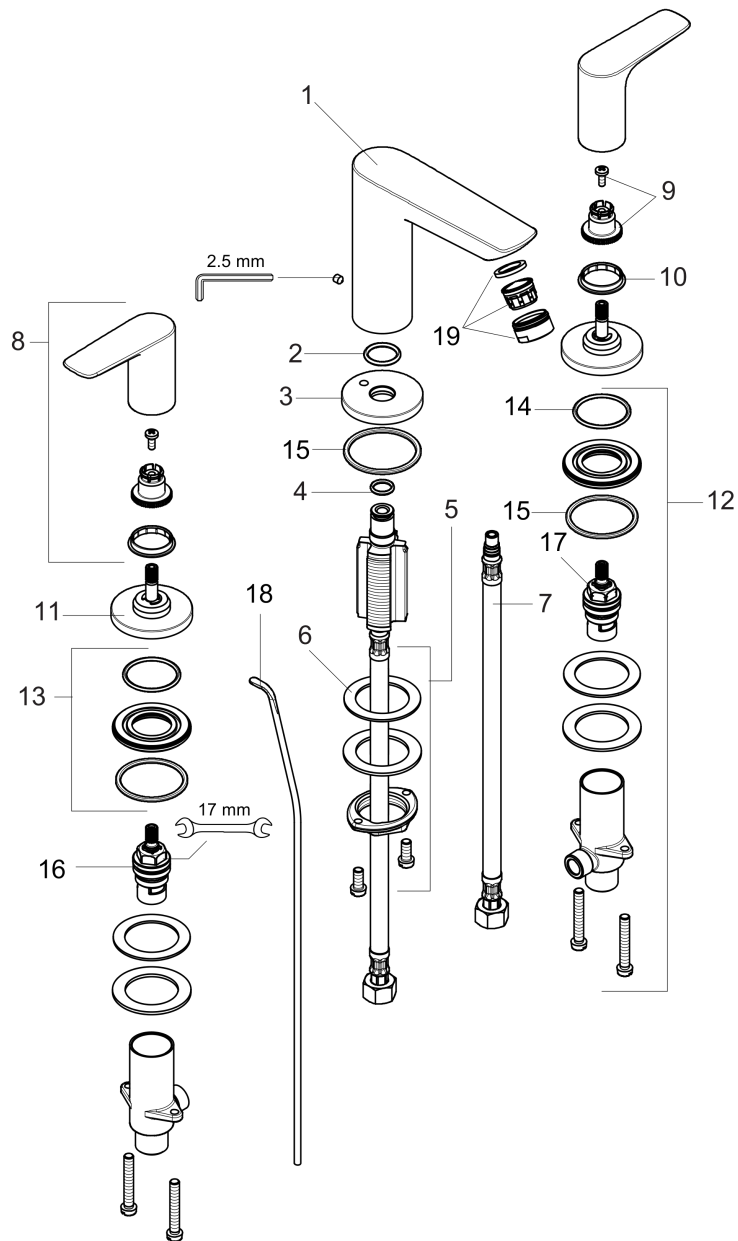


Talis E
Widespread Faucet 150 with Pop-Up Drain, 1.2 GPM
 Finishes : **chrome** Part no. : **71733001**



Exploded drawing

Year of production: >11/16



Talis E

Widespread Faucet 150 with Pop-Up Drain, 1.2 GPM

Finishes : **chrome** Part no. : **71733001**



Spare parts list

Year of production: >11/16

| Pos. | Description | Part no. | Price | PU |
|------|-------------------------------------|----------|-------|----|
| 1 | spout cpl. | 92785000 | - | 1 |
| 2 | O-ring 18x2,5 | 98139000 | - | 1 |
| 3 | escutcheon Ø 53 mm | 95272000 | - | 1 |
| 4 | O-ring 11x2 | 98127000 | - | 1 |
| 5 | fixing set (Ø 32) | 13961000 | - | 1 |
| 6 | lever collar | 97548000 | - | 1 |
| 7 | connection hose 450 mm M8x0,75 G3/8 | 97206000 | - | 1 |
| 8 | handle | 92779000 | - | 1 |
| 9 | handle fixing set | 94184000 | - | 1 |
| 10 | set of color-rings cold / hot water | 95819000 | - | 1 |
| 11 | escutcheon Ø 52 mm | 97285000 | - | 1 |
| 12 | stop valve cpl. | 97357001 | - | 1 |
| 13 | nut | 92854000 | - | 1 |
| 14 | O-Ring 32x2,5 | 96364000 | - | 1 |
| 15 | O-ring | 92768000 | - | 1 |
| 16 | shut off unit right closing | 94009000 | - | 1 |
| 17 | shut off unit left closing | 94008000 | - | 1 |
| 18 | pull rod | 96657000 | - | 1 |
| 19 | aerator M24x1 (4,5 l/min) | 92877000 | - | 1 |
| a | pop up waste | 88509000 | - | 1 |