

LED TROFFER LIGHT

20W 30W 40W 50W

DESCRIPTION

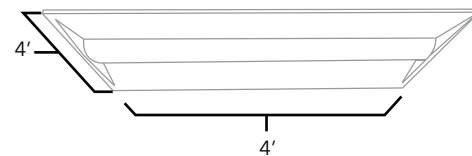
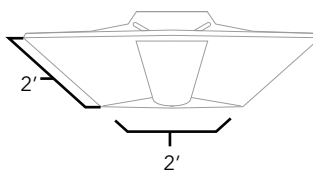
Troffer's simple design provides maximum light distribution and is ideal for commercial and industrial uses. This luminaire was engineered as an energy efficient and eco-friendly alternative to traditional lighting solutions.

FEATURES

- 1-10v Dimming
- No Flicker
- Internal Micro wave sensor 5-8m
- High lumens efficacy up to 125lm/w;

WARRANTY

This product has a warranty for a period of 5 years from the date of purchase. The warranty is invalid in the case of improper installation, tampering, or removal of the Q.C. date label. Installation in an improper working environment or installation not according to the current edition of the National Electric Code also invalidates the warranty. Should this product fail during the warranty period, it will be replaced free of charge, subject to correct installation and return of the faulty unit. Greentek Energy Systems does not accept responsibility for any installation costs associated with the replacement of this product. This warranty is in addition to the statutory rights in the country of purchase. Greentek Energy Systems reserves the right to alter specifications without prior notice.



Nominal Voltage	AC 120-277V	Starting time	< 1.0 s
Operating frequency	50/60Hz	Switching cycles:	50000 times
Power factor	≥0.9	Dimmable	0-10V
Working temperature range	-13°F - 104°F	Beam angle	150°

*Exceeding maximum ratings for operating temperature and input voltage will reduce expected life time or destroy the product. All data subject to change without notice. Errors and omission excepted. Always make sure to use the most recent release.



LED TROFFER LIGHT

20W 30W 40W 50W

PRODUCT SPECIFICATIONS

Item Number	Rated Wattage*	LxWxH (ft)	CCT (Kelvin)*	Rate Flux (Lm) *	CRI (Ra)*	Pack Qty (Pcs)	Dimmable
TROFFER							
GT-T22-20WXX-ZZ-Y	20W	2x2	4000	2500	>80	2	0-10V
GT-T22-30WXX-ZZ-Y	30W	2x2	4000	3750	>80	2	0-10V
GT-T22-40WXX-ZZ-Y	40W	2x2	4000	5000	>80	2	0-10V
GT-T24-30WXX-ZZ-Y	30W	2x4	4000	4100	>80	2	0-10V
GT-T24-40WXX-ZZ-Y	40W	2x4	4000	5000	>80	2	0-10V
GT-T24-50WXX-ZZ-Y	50W	2x4	4000	6250	>80	2	0-10V

* All data are related to the entire product

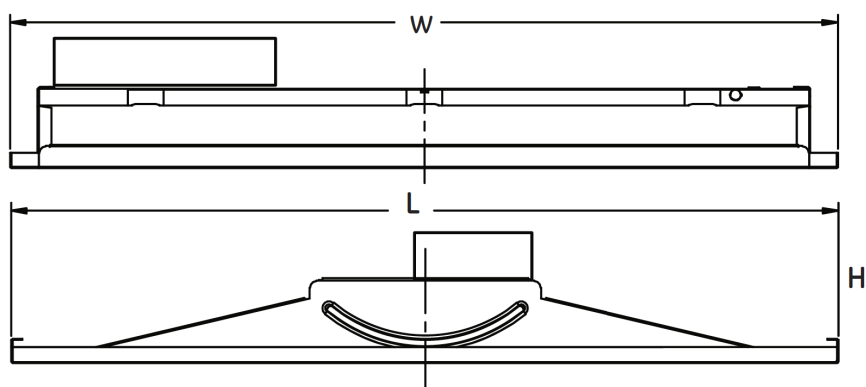
* Due to the special conditions of the manufacturing processes of LED, the typical data of technical parameters can only reflect statistical figures and do not necessarily correspond to the actual parameters of each single

* Light output of product may vary with CCT, for technical information of other CCTs, please contact our sales representative.

* About Item Number : the first (X) can be (D) for Dimmable or (N) for Non-dimmable the second X maybe N stands for without Sensor. Or P stands for with Sensor.

* CCT can be 3500K,4000K,4500K and 5000K.

MOUNT TYPES



Item Number	L (inch)	W (inch)	H (inch)
GT-T22-20WXX-ZZ-Y	23.7	23.7	3.62
GT-T22-20WXX-ZZ-Y	23.7	23.7	3.62
GT-T22-20WXX-ZZ-Y	23.7	23.7	3.62
GT-T22-20WXX-ZZ-Y	47.6	23.7	3.62
GT-T22-20WXX-ZZ-Y	47.6	23.7	3.62
GT-T22-20WXX-ZZ-Y	47.6	23.7	3.62



LED TROFFER LIGHT

20W 30W 40W 50W

OPERATION AND MAINTENANCE TIPS

- Turn power off before inspection, installation or removal.
- For indoor use only, dry locations only.
- All install and uninstall shall be done by a certified electrician.
- Do not operate luminaire with damaged parts.
- Properly ground the electrical enclosure.
- Luminaire may fall down if not locked into mounting track properly.

PACKAGING INFORMATION

Product	Qty/Carton (Pcs)	Size of Carton LxWxH (in)	Net Weight (LB)	Gross Weight (Kg)	Pcs in a 20' GP (Pcs)	Pcs in a 40' HQ (Pcs)
GT-T22-20WXX-ZZ-Y	4	26 x 13.7 x 25.7	24.7	30	800	1900
GT-T22-30WXX-ZZ-Y	4	26 x 13.7 x 25.7	24.7	30	800	1900
GT-T22-40WXX-ZZ-Y	4	26 x 13.7 x 25.7	24.7	30	800	1900
GT-T24-30WXX-ZZ-Y	2	50 x 7.5 x 25.7	23.8	30	360	1900
GT-T24-40WXX-ZZ-Y	2	50 x 7.5 x 25.7	23.8	30	360	1900
GT-T24-50WXX-ZZ-Y	2	50 x 7.5 x 25.7	23.8	30	360	1900

* Note: Above quantity for a full container based on lamps packed in form holders+outer carton and are not palletised.

