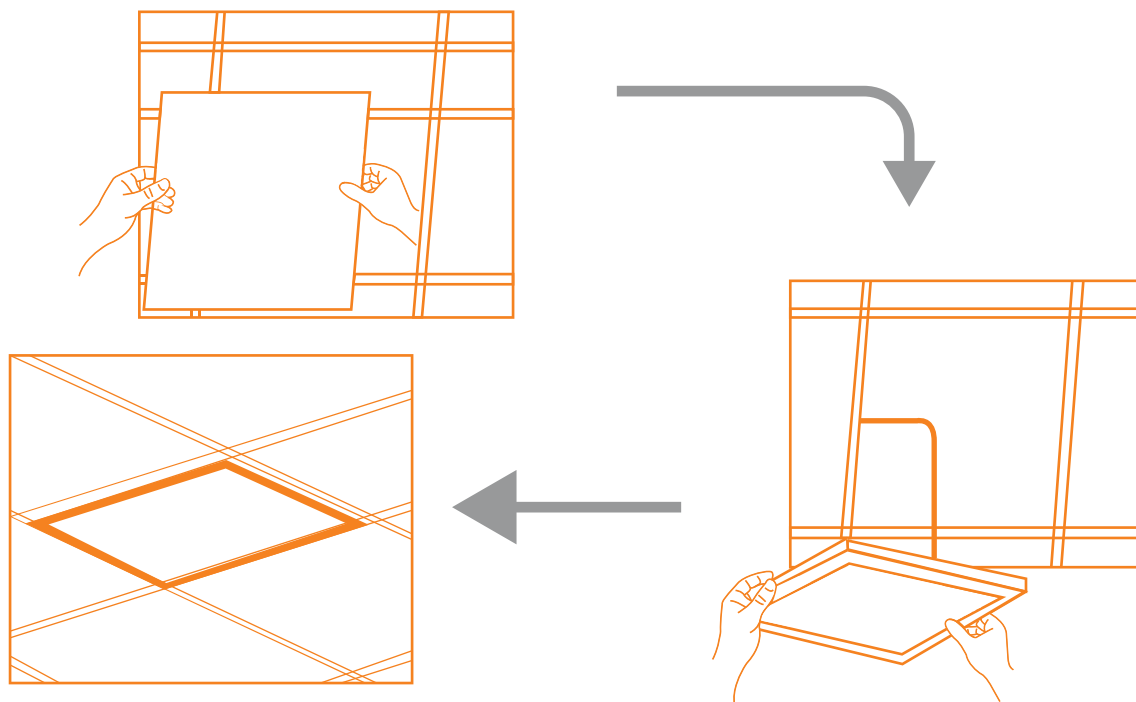
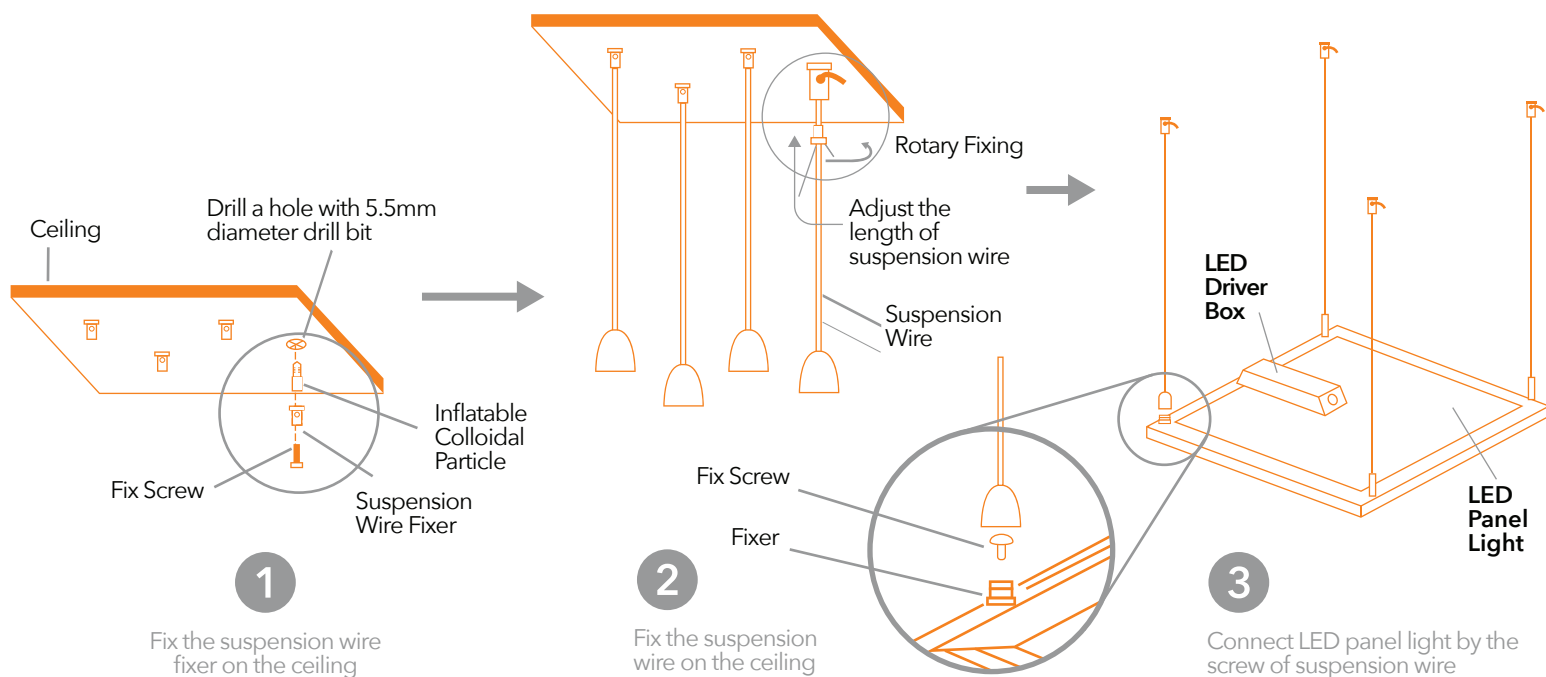


LED PANEL LIGHT INSTALLATION INSTRUCTION

BUILD-IN

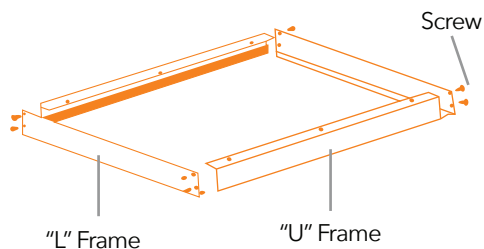


SUSPENDED

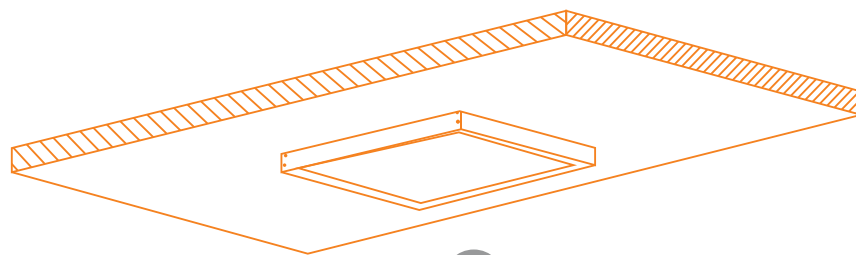


LED PANEL LIGHT INSTALLATION INSTRUCTION

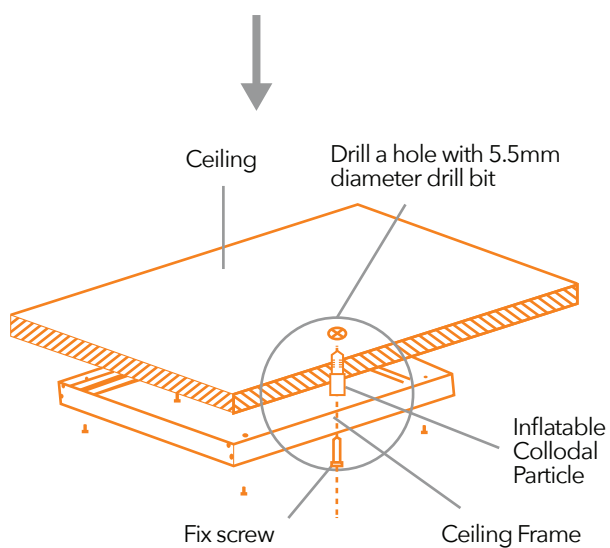
SURFACE MOUNT



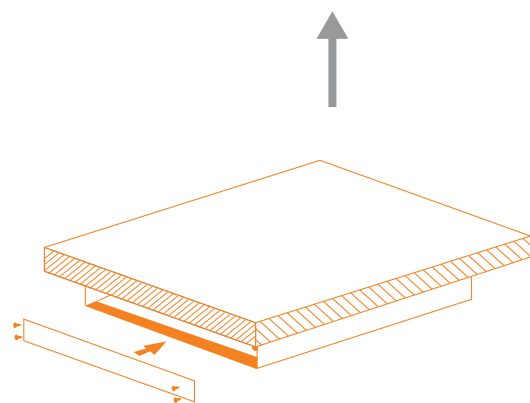
1 Assemble the frame well



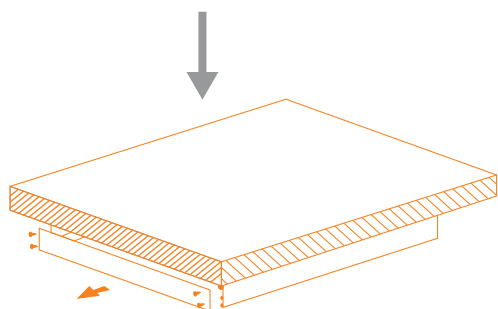
4 Insert LED panel to the frame



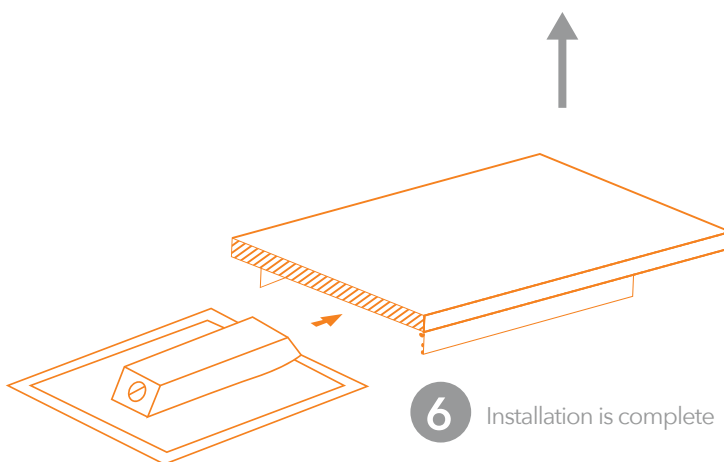
2 Fix the frame on ceiling



5 Fix "L" bracket to the frame



3 Take out the "L" bracket from the frame



6 Installation is complete



Please make sure the frame is assembled well before fixed on ceiling



LED PANEL LIGHT INSTALLATION INSTRUCTION

SURFACE MOUNT

