

# LED Linear High Bay Installation Instruction

Rev:A0

Possible maximum product weight (when specific mounts or function was chosen)

Power	Weight	Product Dimension
90W	7KG	630x320mm
110W	7KG	630x320mm
135W	7KG	630x320mm
165W	8KG	630x420mm
180W	8.5KG	630x420mm
215W	9KG	630x420mm
215W	9.5KG	900x320mm
320W	11.5KG	1200x320mm

## Warning / Avertissement

### MIN 90°C SUPPLY CONDUCTORS

**THIS PRODUCT MUST BE INSTALLED IN ACCORDANCE WITH THE APPLICABLE INSTALLATION CODE BY A PERSON FAMILIAR WITH THE CONSTRUCTION AND OPERATION OF THE PRODUCT AND THE HAZARDS INVOLVED**

**CONSULT A QUALIFIED ELECTRICIAN TO ENSURE CORRECT BRANCH CIRCUIT CONDUCTOR**

### LES FILS D'ALIMENTATION 90 °C MIN

**CE PRODUIT DOIT ÊTRE INSTALLÉ SELON LE CODE D'INSTALLATION PERTINENT, PAR UNE PERSONNE QUI CONNAÎT BIEN LE PRODUIT ET SON FONCTIONNEMENT AINSI QUE LES RISQUES INHÉRENTS CONSULTER UN ÉLECTRICIEN QUALIFIÉ POUR VOUS ASSURER QUE LES CONDUCTEURS DE LA DÉRIVATION SONT ADÉQUATS**

### Cautions:

1. Can not use the electric generator to test the LED lamp.
2. Please abide by related country, regional and local law and regulations when install this fixture.
3. Please turn off the power before installation or maintenance.
4. Proper earth grounding is required to ensure safety.

### Notice:

1. To avoid possibility of electrical shock or fire, the installation personnel must have professional electric knowledge.
2. Please wear gloves to avoid injury before installation.
3. If any smoke or spark of the wire happened, please turn off the power immediately and notify relevant personnel.

### Attention:

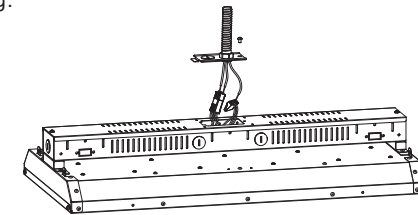
1. Please check if there is any damage during shipping. If so, please contact manufacturer timely.
2. Please read the installation instruction carefully to check whether all the accessories are complete. After confirmation, then install the fixture according to installation steps.

### Wiring Diagram & Instruction:

- 3 dimming functions are available in this high bay light:
1. Constant current can be achieved by 1-10VDC dimming;
  2. PWM signal dimming;
  3. Variation of resistance unit dimming.

### Wiring Instruction

- L:Black  
N:White  
⊕ : Green/Yellow  
+DIM: Purple  
- DIM: Grey



Please choose the appropriate dimming way according to your needs. You can also choose not to use this function.

\*The product can not be connected to a dimming device when it's equipped with Motion sensor.

Three Installation: Chain/Cable Installation, 3/4"NPT Installation, Surface Mounting/Pendent Mounting  
**(Please choose the most suitable installation method for the purchased product as per your needs)**

### A.Hanging Installation: ( Chain/Cable)

- Step1.Hook up the chain; (Figure 1)  
Step2.Connect the chain with fixture; (Figure 1)  
Step3. Fix the chain on the rail, adjust the chain length as per need; (Figure 1)  
Step4.After the fixing , choose suitable wiring knock out, do wiring according to local standard and code(Two different wiring methods for this installation).

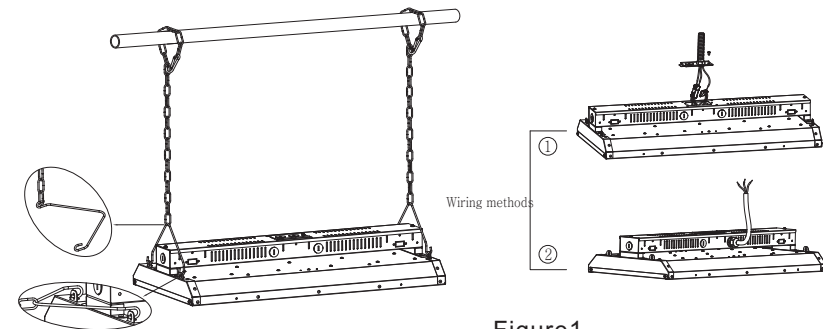


Figure 1

**B. 3/4"NPT Installation:**

- Step1. Mount the bracket on 3/4"NPT (Figure 2);
- Step2. Lock fixture on the bracket (Figure 3);
- Step3. Do wiring according to local standard and code.
- Step4. Lock side brackets with screw driver (Figure 4).



Figure2

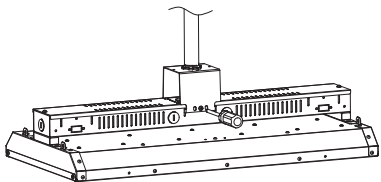


Figure3

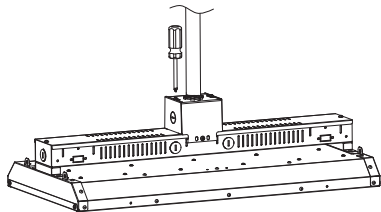


Figure4

**C. Surface Mounting/ Pendant Mounting:**

- Step1. Mount the bracket on the rail or ceiling (Figure 5)
- Step2. Mount bolt on the rail or ceiling, and mount the fixture bracket on the bolt (Figure 6); and then install the fixture. (Figure 7).
- Step3. After mounting, choose suitable wiring knock out and do wiring according to local.

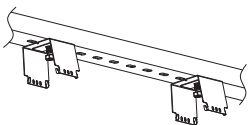


Figure5

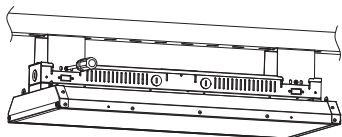


Figure6

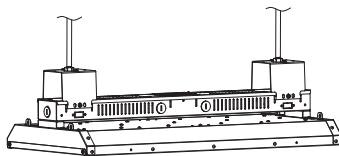


Figure7

**Extra Accessory Option Installation: 1:Wire Guard, 2:Motion Sensor/PIR Sensor,3: Backup driver.**

**1.Wire Guard:(Purchase the correct size wire guard from manufacturer)**

- Step1. Mount the wire guard on the fixture with screws (Figure 8)

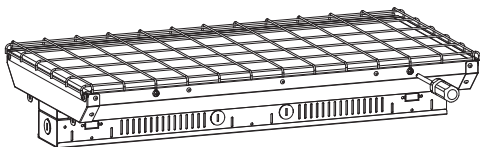


Figure8

**2. Motion Sensor /PIR Sensor:(Both sensor are with same installation)**

- Step1. Open the driver cover plate with a screwdriver (Figure 9)
- Step2. Knock out the side cover, mount the sensor on the side, do wiring according to instruction on sensor (Figure 10).
- Step3. Fix the driver cover plate back in place (Figure 11).

**Wiring Instruction**

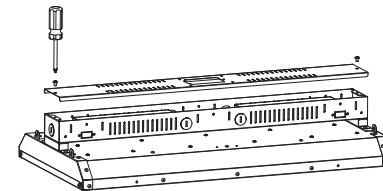
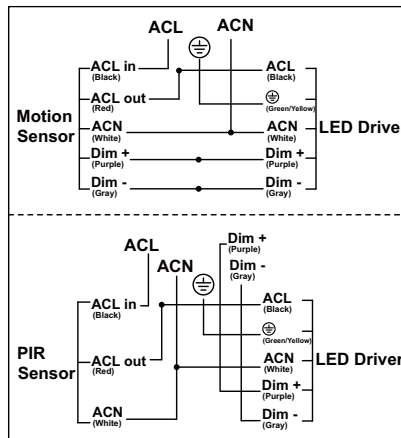


Figure9

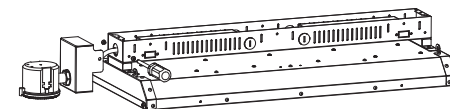


Figure10

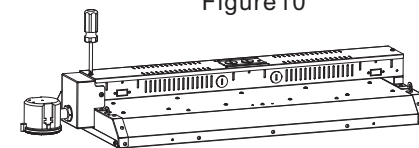


Figure11

- 3. Backup driver is a Listed emergency driver and needs a professional electrician to install according to NEC. rule and applicable installation code. And the below wiring is for reference.

**Wiring Instruction**

