

LED FLOOD LIGHT

30W S-Series

DESCRIPTION

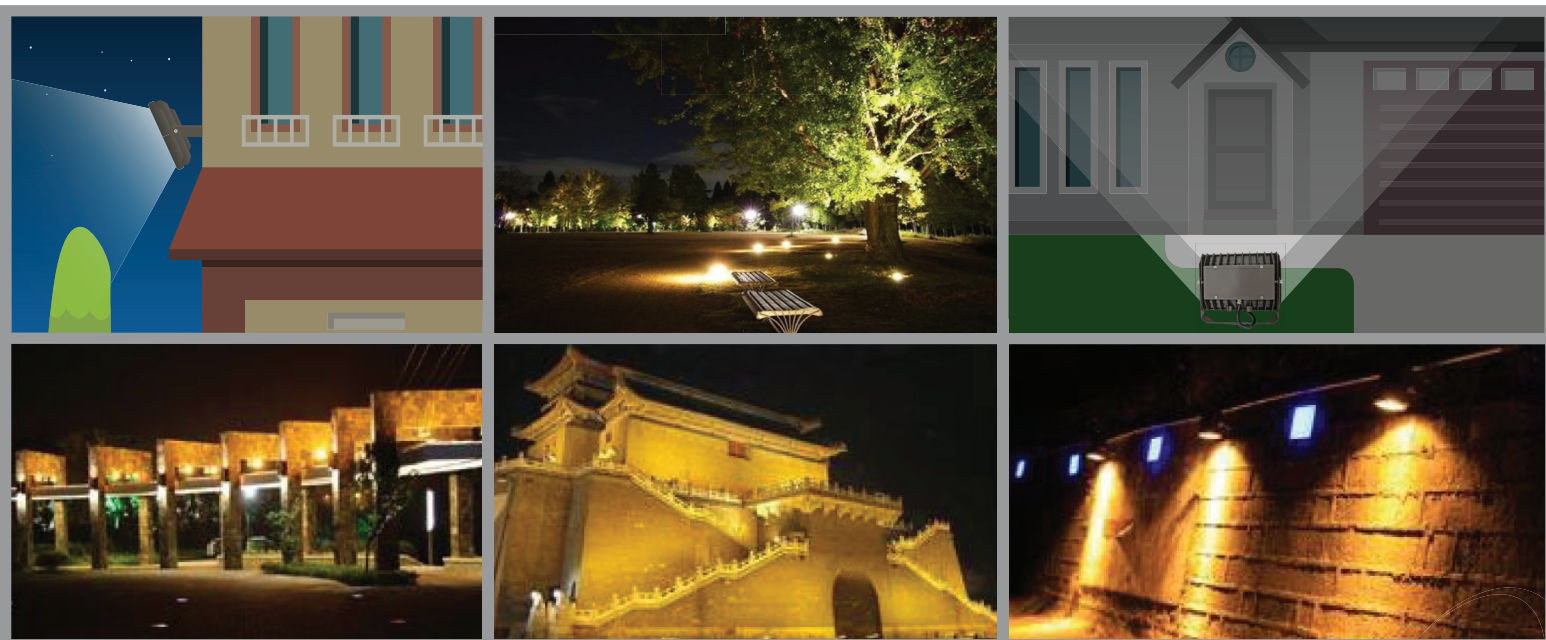
- UL cUL certificate
- Lumileds Chip, High CRI
- China brand IP65 driver,
- Input voltage 100-277Vac
- No UV or IR in the beam
- Easy to install and operate
- Energy saving, Long lifespan
- Instant start, NO flickering, NO humming
- Green and eco-friendly without mercury.

APPLICATION

- Factory floor, libraries, square, park;
- Supermarkets, railway stations;
- Advertising lighting, etc.

WARRANTY

This product has a warranty for a period of 5 years from the date of purchase. The warranty is invalid in the case of improper installation, tampering, or removal of the Q.C. date label. Installation in an improper working environment or installation not according to the current edition of the National Electric Code also invalidates the warranty. Should this product fail during the warranty period, it will be replaced free of charge, subject to correct installation and return of the faulty unit. Greentek Energy Systems does not accept responsibility for any installation costs associated with the replacement of this product. This warranty is in addition to the statutory rights in the country of purchase. Greentek Energy Systems reserves the right to alter specifications without prior notice.



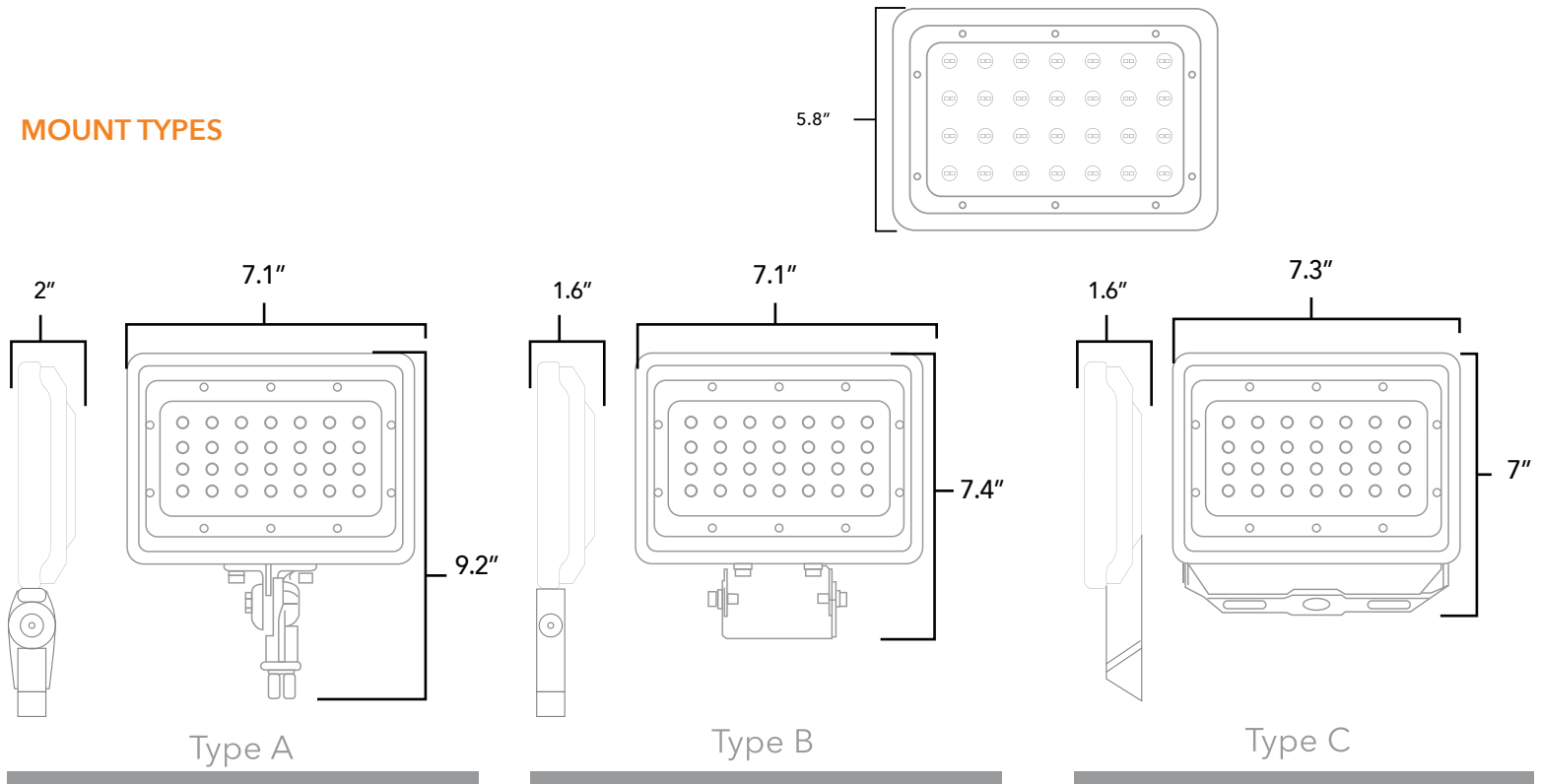
LED FLOOD LIGHT

30W S-Series

PRODUCT SPECIFICATIONS

SKU	GT-FL06-30WAT1A1-aaK Note: aa in P/N represent CCT, can be 40,50,57	Waterproof Rating	WET (IP65)	Application	Outdoor / Indoor
Product name	LED Flood Light	LED Brand	LUMILEDS	Safety Certification	UL, cUL, DLC
Color temperature	4000K/5000K/5700K	LED Type	LUXEON 3030 2D	Warranty Time	5 Years
CRI	>70	LED QTY	Surge Protection Device	Dimensions	Type A: 9" x 7" x 2" Type B: 7.4" x 7" x 1.7" Type C: 7" x 7.3" x 1.7"
Input Power	30W	Housing	Aluminum +PC+Steel		
Viewing Angle	7H7V	Housing color	Black, Brown		
Input Voltage	100-277Vac 50/60Hz	Operating Temperature	-4°F TO 113°F		
Driver model	China brand driver	Operating Humidity	20%-90% RH		
Optional	Surge Protection Device	Storage Temperature	-22°F TO 176°F		
PF	>0.9				

MOUNT TYPES



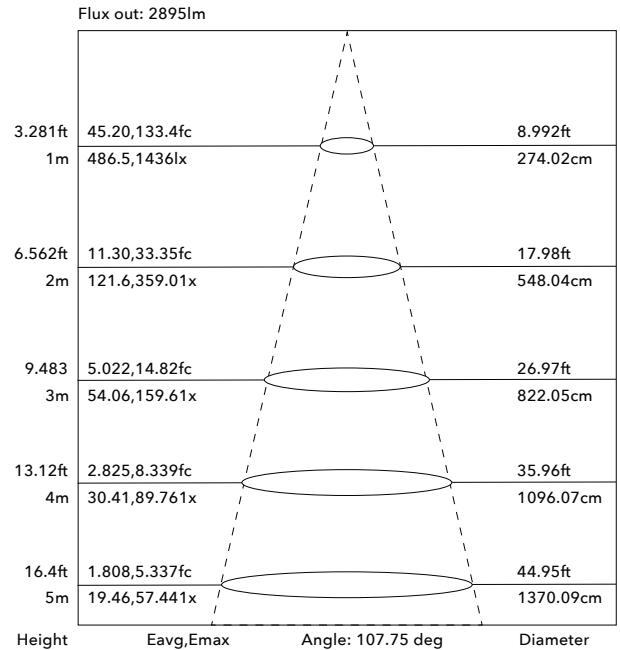
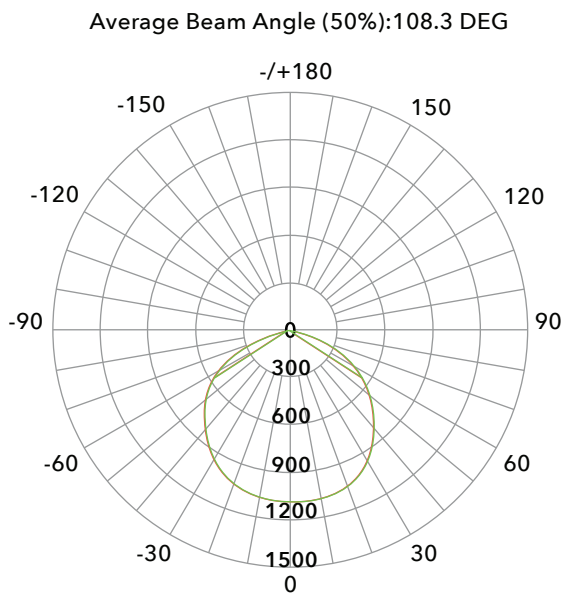
LED FLOOD LIGHT

30W S-Series

LIGHT DISTRIBUTION TESTING PARAMETERS

Data of Lamp		Photometric Data			Eff: 129.56 lm/W
Model		I _{max} (cd)	1437	S/MH (C0/180)	1.28
Nominal Power (W)	30	LOR (%)	100.0	S/MH (C90/270)	1.30
Rated Voltage (V)	120	Total Flux (lm)	3736.9	η UP, DN (CO-180)	0.1, 50.6
Nominal Flux (1m)	3736.91	CIE Class	Direct	η UP, DN (C180-360)	0.1, 49.3
Lamps Inside	1	η up (%)	0.1	CIBSE SHR NOM	1.25
Test Voltage	120	η down (%)	99.9	CIBSE SHR MAX	1.35

LUMINOUS INTENSITY DISTRIBUTION DIAGRAM

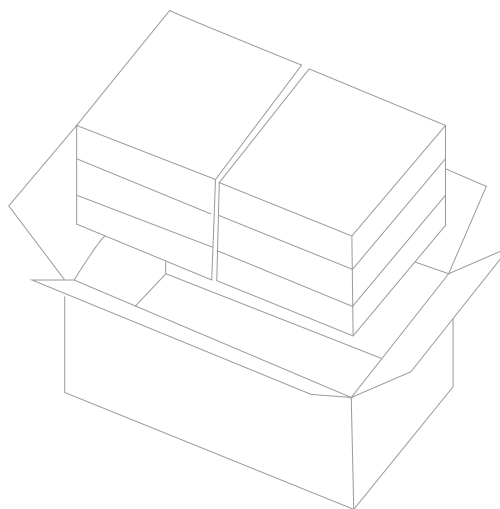
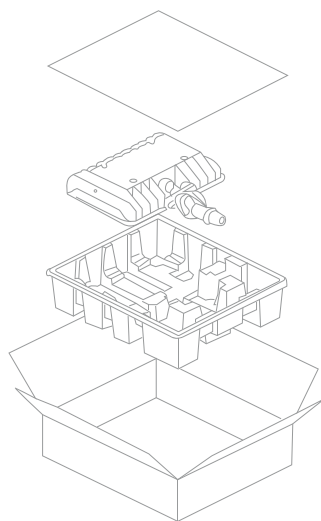


LED FLOOD LIGHT

30 W S-Series

PACKAGING

		Type A	Type B	Type C
Lamps Net Weight		2.5lbs	2.4lbs	2.5lbs
Inner Box	Size	11" x 8.9" x 2.83"		
	Qty/Carton	1 PCS		
	Weight/Carton	3.15lbs	3.06lbs	3.15lbs
Outer Box	Size	18" x 11.6" x 12.4"		
	Qty/Carton	8 PCS		
	Weight/Carton	26.89lbs	26.2lbs	26.6lbs



CAUTION

- Please turn off power before install or change assembly parts.
- The input voltage and lamps should be matched, after connecting the power line, Please make sure the wiring section is insulated.
- No-professionals, must not install and disassemble the lamps.

TROUBLESHOOTING

Troubles	Check points
Flickering of the light	Turn off the power and turn on again in 3 minutes. If same phenomena occur, then call agencies
Out of working	Please check the connection

