

LED T8 TUBE TYPE A+B - BALLAST COMPATIBLE

Built-in MINI DIMMER, DLC 5.1 LED TUBE



SPECIFICATION

Item	T8 A+B
Power	10w,12w,15w,18w,20w,36w,40w
Led chip	SMD2835 ,LM-80 passed
Input voltage	AC100-277V
Power Factor	0.9
CRI	>80
Base	G13/FA8/R17D
Operating Temperature	-68~122 °F
Beam Angle	120°
Dimmable	Continuous dimming. Not compatible with external dimmers.
Lifespan	50,000 hours
THD	<20%
CERTIFICATION	UL ETL DLC
Material	Aluminum+ PC cover
IP Rating	IP20
Warranty	5 years

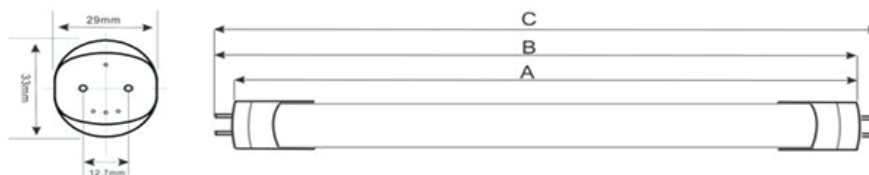
CERTIFICATIONS / WARRANTY



SPECIFICATION

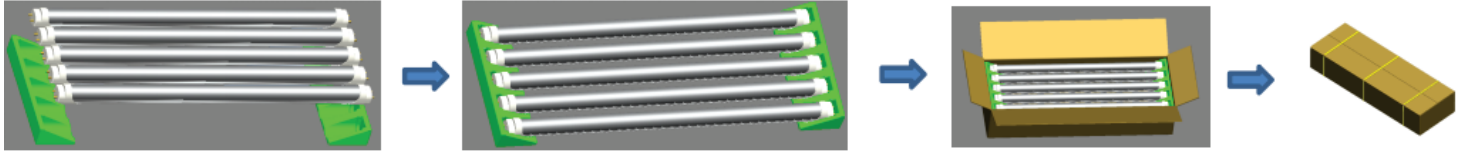
- Style Novel: Built-in MINI DIMMER
- Double end, single end & ballast compatible in one tube
- Tubes are rated at 50,000hours life
- Environmentally friendly without mercury
- Patented Product

DIMENSIONS



LED TUBE	2FT G13 (Bi-Pin)	3FT G13 (Bi-Pin)	4FT G13 (Bi-Pin)	8FT FA8 (single pin)
Length Top to Top	23.7inch	35.75inch	47.72inch	93.89 inch
Diameter	1.19inch	1.19inch	1.19inch	1.19 inch

PACKING



Dimension	PCS/CTN	Dimensions/ each Tube	Carton Dimensions	Net Weight CTN	Gross Weight CTN
2ft	25	23.7x1.19x 1.04 inch	25.2x7.87x 8.27 inch	5.51lbs	7.28lbs
3ft	25	35.75x1.19x 1.04 inch	37.4x7.87x 8.27 inch	8.27lbs	10.69lbs
4ft	25	47.72x1.19x 1.04 inch	49.21x7.87x 8.27 inch	11.02lbs	13.67lbs

ITEMS NO.

ETL DLC Model	Size	Power	Base	Lumen (lm)	ETL	DLC
GT-T8-10W-2VD-50KF	2FT	10W	G13	140LM/W	Yes	Yes
GT-T8-10W-2VD-50KC	2FT	10W	G13	140LM/W	Yes	/
GT-T8-15W-3VD-50KF	3FT	15W	G13	140LM/W	Yes	Yes
GT-T8-15W-3VD-50KC	4FT	15W	G13	140LM/W	Yes	/
GT-T8-18W-4VD-50KF	4FT	18W	G13	140LM/W	Yes	Yes
GT-T8-18W-4VD-40KF	4FT	18W	G13	140LM/W	Yes	Yes
GT-T8-18W-4VD-65KF	4FT	18W	G13	140LM/W	Yes	Yes
GT-T8-18W-4VD-50KC	4FT	18W	G13	140LM/W	Yes	/
GT-T8-18W-4VD-40KC	4FT	18W	G13	140LM/W	Yes	/
GT-T8-18W-4VD-65KC	4FT	18W	G13	140LM/W	Yes	/

INSTALLATION

1. Replacement for bypass ballast fluorescent lamps (TypeB)

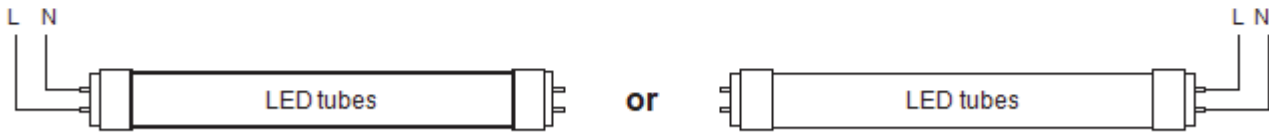
Installation Steps

1 : Turn off power before installation 2 : Cut the wire and bypass ballast

3 : Hookup line wires to Tombstone wires as a direct power 4 : **2.Replacement for bypass ballast fluorescent lamps (TypeB)**

Stick the warning label

5 : Switch on electricity and check for lamp starting



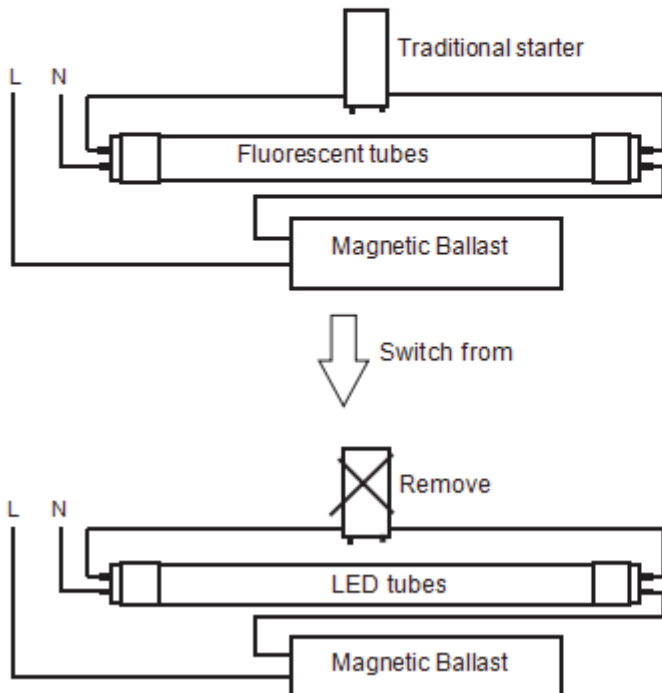
Warning: All fixture have to change with new tombstone when apply for plug and play tube.

2. Replacement for bypass ballast fluorescent lamps (TypeA)

Magnetic ballast

professional installation is required

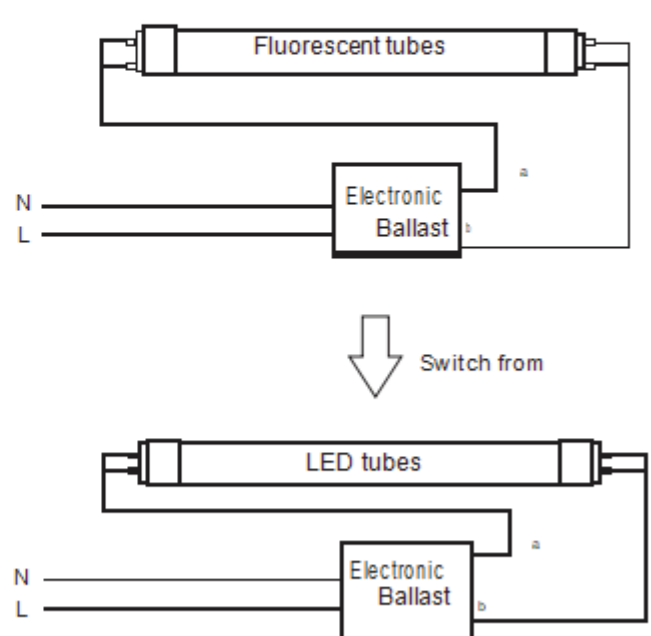
- 1:Turn off power before installation
- 2:Remove the traditional starter
- 3:Replace traditional fluorescent tube with LED tube
- 4:Switch on electricity and check for lamp starting



Electronic ballast

professional installation is required

- 1:Turn off power before installation
- 2:Replace traditional fluorescent tube with LED tube
- 3:Switch on electricity and check for lamp starting



BALLAST COMPATIBILITY



BALLAST BRAND	PART NO.	BALLAST BRAND	PART NO.
OSRAM	QTP 3*32T8/UNV ISN-SC		
OSRAM	QTP 3*32T8/UNV ISN-SC	GE	GE432MV-N-42T
OSRAM	QTP 4*32T8/UNV ISN-SC	PHILIPS	IOP-1PSP32-SC
PHILIPS ADVANCE	ICN-1P32-N	PHILIPS	IOP-2PSP32-SC
PHILIPS ADVANCE	ICN-2P32-N	PHILIPS	IOP-3PSP32-SC
PHILIPS ADVANCE	ICN-3P32-N	PHILIPS	IOP-4PSP32-SC
PHILIPS ADVANCE	ICN-4P32-N	PHILIPS	IOP-4P32-LW-N
PHILIPS ADVANCE	IOPA-1P32-N	PHILIPS	REB-1P32-SC
PHILIPS ADVANCE	IOPA-2P32-N	PHILIPS	REB-2P32-SC
PHILIPS ADVANCE	IOPA-3P32-N	PHILIPS	REB-3P32-SC
PHILIPS ADVANCE	IOPA-4P32-N	PHILIPS	REB-4P32-SC
GE	GE-132-MV-N	UNIVERSAL	B132IUNVHP-A(TRIAD)
GE	GE-232-MV-N	UNIVERSAL	B232IUNVHP-A(TRIAD)
GE	GE-332-MV-N	UNIVERSAL	B332IUNVHP-A(TRIAD)
GE	GE-432-MV-N	UNIVERSAL	B432IUNVHP-A(TRIAD)
GE	GE132MAX-G-N	UNIVERSAL	B132IUNVHP-A(ULTIM)
GE	GE232MAX-G-N	UNIVERSAL	B232IUNVHP-A(ULTIM)
GE	GE332-120RESDIYB	UNIVERSAL	B332IUNVHP-A(ULTIM)
GE	GE432-120RES-DIY	UNIVERSAL	B432IUNVHP-A(ULTIM)
GE	GE132MAXP-H/ULTRA	PHILIPS ADVANCE	IOP-1PSP32-LW-SC
GE	GE132MAX-L/ULTRA	PHILIPS ADVANCE	IOP-2PSP32-LW-SC
GE	GE232MAX-L/ULTRA	PHILIPS ADVANCE	IOP-3PSP32-LW-SC
GE	GE332MAX-L/ULTRA	PHILIPS ADVANCE	IOP-4PSP32-LW-SC
GE	GE432MAX-L/ULTRA	KEYSTONE	KTEB-232RIS-1-TP-SL

APPLICATION

- (1) Can be one end powered and two ends powered
- (2) Can use with normal AC Power (without ballast)
- (3) Can be compatible with magnetic ballast.
- (4) Can be compatible with electronic ballast.

Lamps are widely used in the area of offices, exhibitions, hospitals ,workshops, meeting room, schools, hotels etc.

