

LED WALL PACK LIGHT INSTRUCTION

Application:

Available in industrial lighting, landscape lighting, courtyard, building, hotel, building exterior, etc.

Caution:

1. Can not use the electric generator to test the LED lamp.
2. Please abide by related country, regional and local law and regulations when install this fixture.
3. Please don't install the fixture when raining to lower the risk of electric shock and avoid the failure.

Note:

1. To avoid possibility of electrical shock or fire, the installation personnel must have professional electric knowledge.
2. Please wear gloves to avoid injury before installation.
3. If any smoke or spark of the wire happened, please turn off the power immediately and notify relevant personnel.

Installation I:

1. Turn off the switch for main circuit. Take the lamp out of the package. Reverse rotating the plastic screw on both sides of the light. Take off the mounted bracket and stick the EVA on it. (Figure 1, A & B)

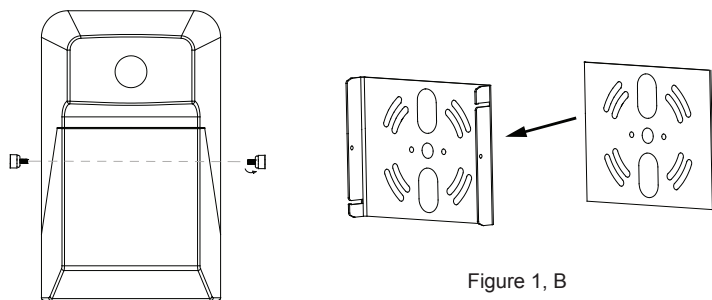


Figure 1, A

Figure 1, B

2. Pierce the wire from the bracket hole, fix the bracket on the junction box with screws. (Figure 2)

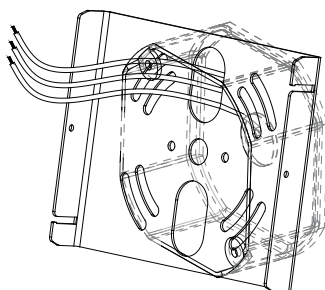


Figure 2

3. Stuck lamp on the mounted bracket, ensure safe wiring connection with main supply. (Figure 3, A & B)

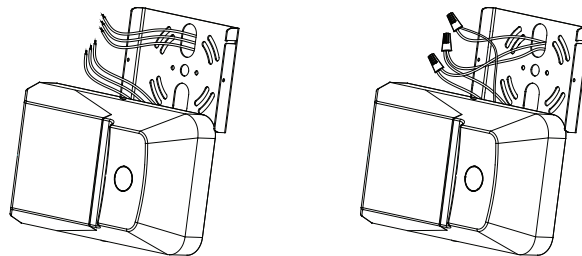


Figure 3, A

Figure 3, B

4. Put the wires into junction box, then mount the lamp on bracket. Fix the lamp with two plastic head screws. (Figure 4, A & B)

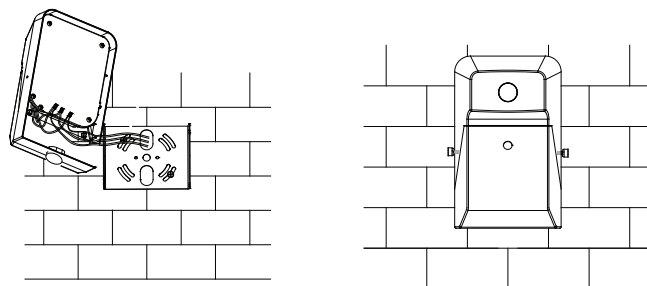


Figure 4, A

Figure 4, B

Installation II:

1. Turn off the switch for main circuit. Take the lamp out of the package. Reverse rotating the plastic screw on both sides of the light. Take off the mounted bracket and stick the EVA on it. (Figure 1, A&B)

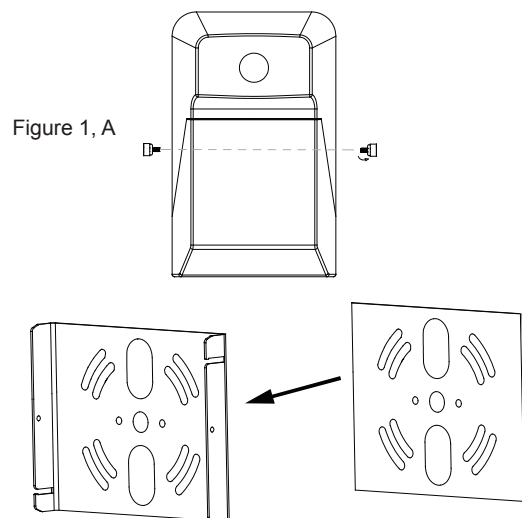


Figure 1, A

Figure 1, B

2. Drill on the wall as per holes on the bracket; Put rubber plug into the holes; Fix bracket on the wall with screws.(Figure 2, A & B & C)

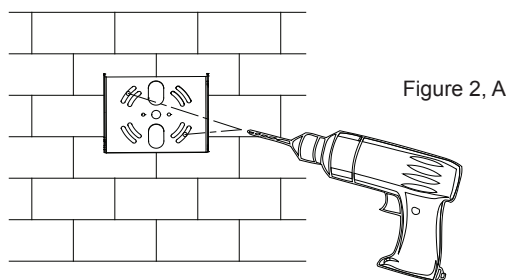


Figure 2, A

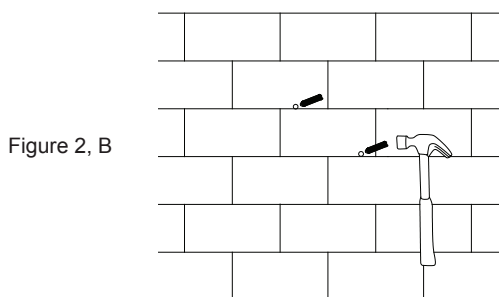


Figure 2, B

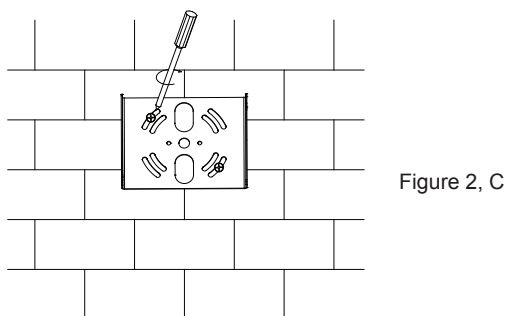


Figure 2, C

3. Remove plug from bottom of the lamp; Pass stem with wire through the fixture; Wire correctly and make it insulation (Figure 3)

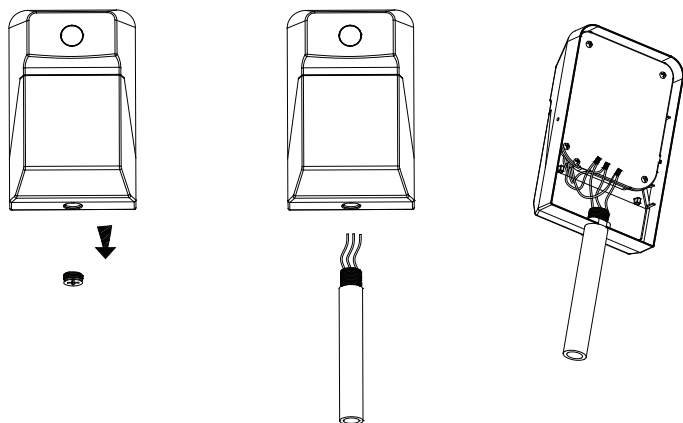


Figure 3

4. Collect wires on the bottom, and fix the lamp on the bracket with screws. (Figure 4, A & B)

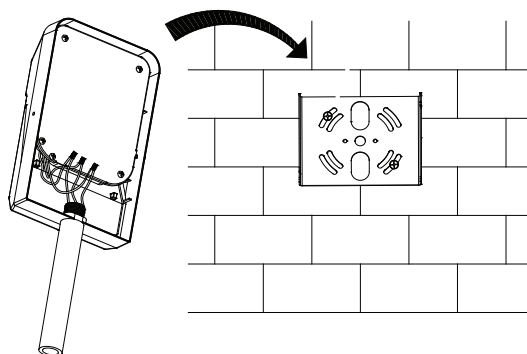


Figure 4, A

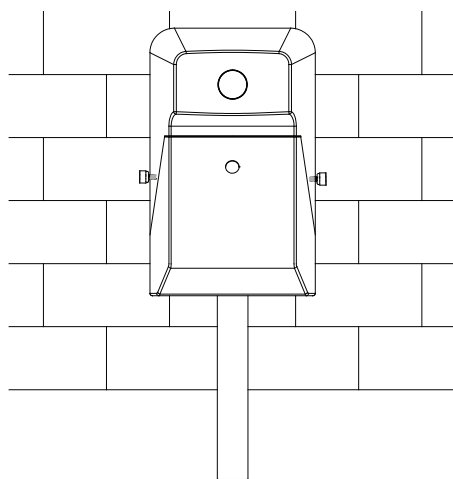


Figure 4, B

This product is available with photocell.
Installations remain the same with or without it.

Standard wire

L/live wire: Black\Brown
N/null wire: White\Blue
Ground wire: Green\Yellow-green

Warning/Avertissement:

MIN 75°C SUPPLY CONDUCTOR
THIS PRODUCT MUST BE INSTALLED IN ACCORDANCE WITH THE APPLICABLE INSTALLATION CODE BY A PERSON FAMILIAR WITH THE CONSTRUCTION AND OPERATION OF THE PRODUCT AND THE HAZARDS INVOLVED

LES FILS D'ALIMENTATION 75°C MIN
CE PRODUIT DOIT ÊTRE INSTALLÉ SELON LE CODE D'INSTALLATION PERTINENT, PAR UNE PERSONNE QUI CONNAÎT BIEN LE PRODUIT ET SON FONCTIONNEMENT AINSI QUE LES RISQUES INHÉRENTS.