

LED POST TOP GARDEN LIGHT

INSTALLATION GUIDE

CAUTIONS

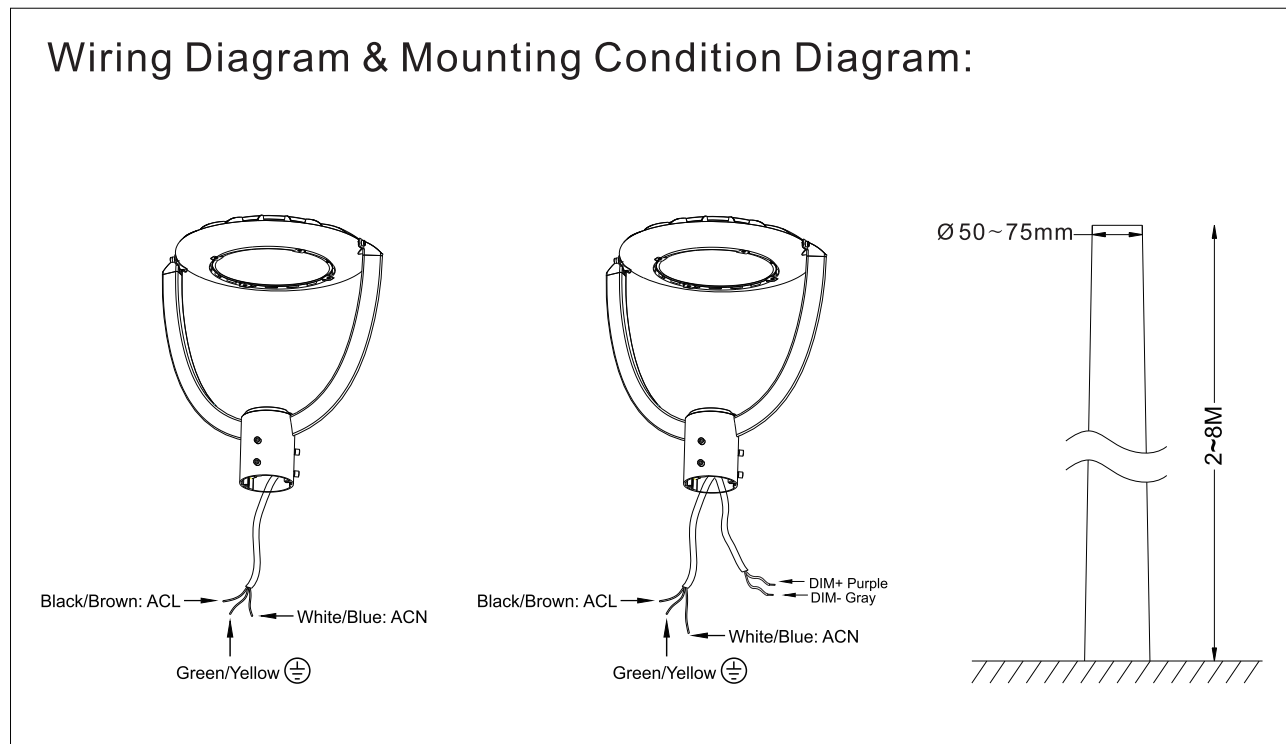
1. Can not use the electric generator to test the LED lamp.
2. Please abide by related country, regional and local laws and regulations when installing this fixture.
3. Please turn off the power before installation or maintenance.
4. Proper earth grounding is required to ensure safety.
5. Make the lighting facing downward vertically after installation

NOTICE

1. To avoid possibility of electrical shock or fire, the installation personnel must have professional electric knowledge.
2. Please wear gloves to avoid injury before installation.
3. If any smoke or spark of the wire happened, please turn off the power immediately and notify relevant personnel.

ATTENTION

1. Please check if there is any damage during shipping. If so, please contact manufacturer promptly.
2. Please read the installation instructions carefully to check whether all the accessories are complete. After confirming, Install the fixture according to installation steps.

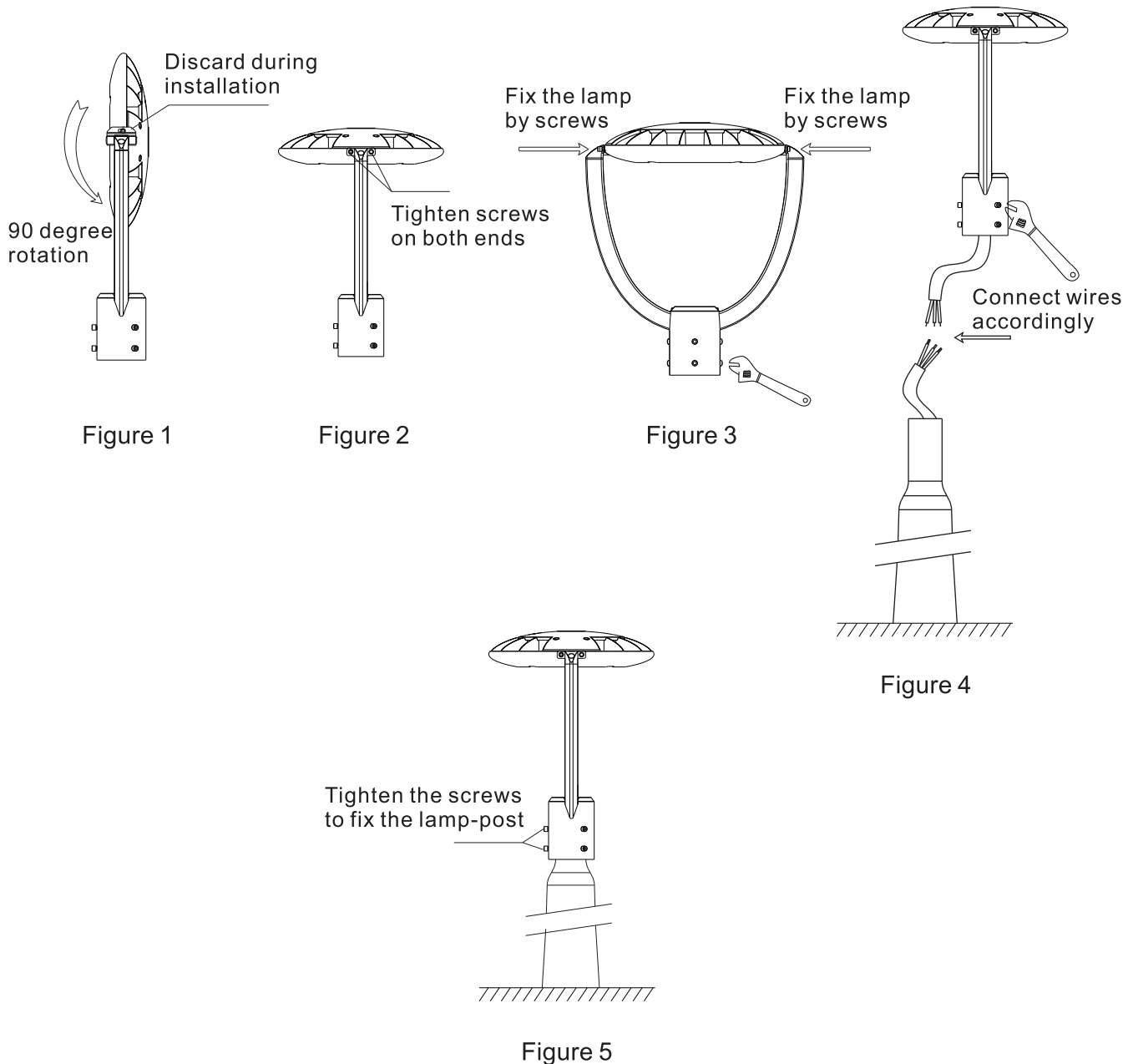


LED POST TOP GARDEN LIGHT

INSTALLATION GUIDE

INSTALLATION STEPS

1. Rotate the lamp body 90° to make sure light facing downward. (Figure 1)
2. Tighten screws on both sides of the bracket to fix the lamp body. (Figure 2)
3. Loosen the screws by wrench. (Figure 3)
4. Connect the lamp to utility power according to the wiring standard, and make sure there is a good joint protective measures. (Figure 4)
5. Install the lamp to the pole, adjust the viewing angle, then tighten the screw by wrench. (Figure 5)

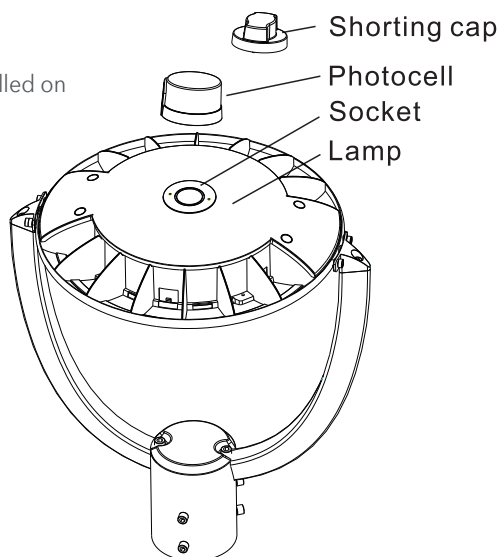


LED POST TOP GARDEN LIGHT

INSTALLATION GUIDE

INSTRUCTIONS FOR PHOTOCELL

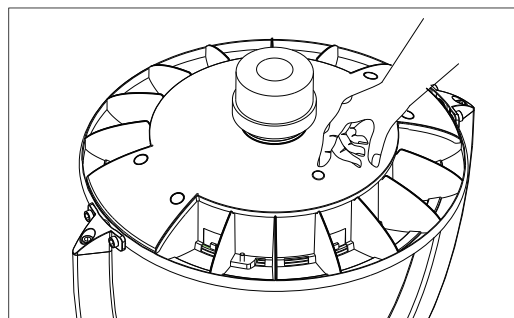
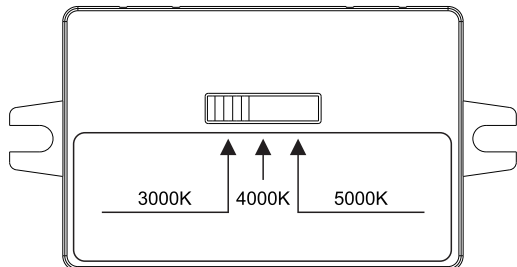
When the photocell function is required, photocell should be installed on the back of lamp; When it is not required, shorting cap should be installed on the back of lamp.



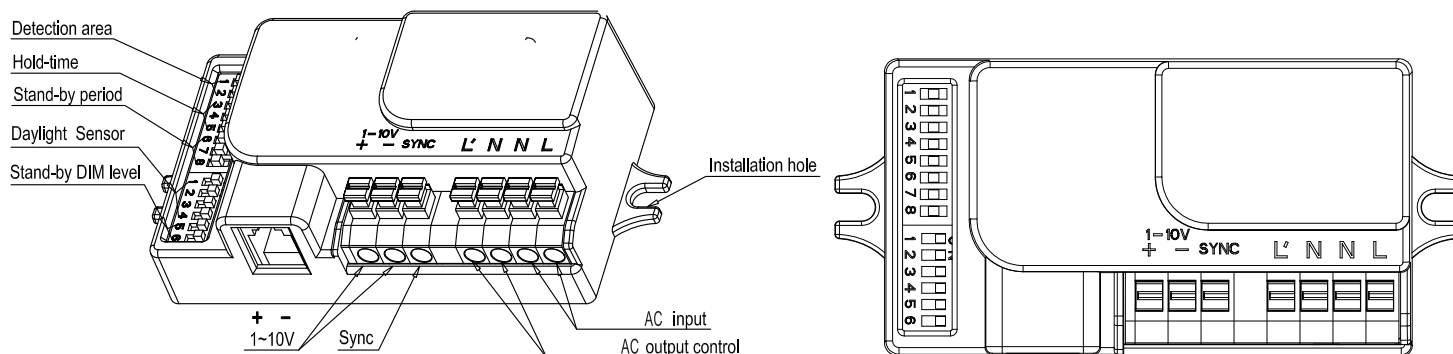
ADJUST THE COLOR TEMPERATURE THROUGH THE SWITCH

Move the switch left and right to get the desired color temperature.

Press back to open and get the desired color temperature



STRUCTURE OF MOTION SENSOR




SETTING:

By selecting the combination on the DIP switch, sensor data can be precisely set for each specific application.

LED POST TOP GARDEN LIGHT


INSTALLATION GUIDE

ON ↑ 		1	2	
	I	ON	ON	100%
	II	ON	-	75%
	III	-	ON	50%
	IV	-	-	25%

Detection Area

Detection area can be reduced by selecting the combination on the DIP switches to fit precisely each application.


Factory setting: I

ON ↑ 		3	4	5	
	I	ON	ON	ON	5S
	II	-	ON	ON	30S
	III	ON	-	ON	90S
	IV	-	-	ON	3min
	V	ON	ON	-	20min
	VI	-	-	-	+∞

Hold Time

Refers to the time period the lamp remains at 100% illumination after no motion detected.


Factory setting: VI

ON ↑ 		6	7	8	
	I	ON	ON	ON	0S
	II	-	ON	ON	5S
	III	ON	-	ON	5min
	IV	-	-	ON	10min
	V	ON	ON	-	30min
	VI	-	ON	-	1h
	VII	-	-	-	+∞

Stand-by Period

Refers to the time period the lamp remains at a low light level before it completely switches off in the long absence of people. When set to Disable mode, the low light is maintained until motion is detected.


Factory setting: I

ON ↑ 		1	2	
	I	ON	ON	50%
	II	-	ON	30%
	III	ON	-	20%
	IV	-	-	10%

Stand-by Dimming Level

The low light level you would like to have after the hold time in the long absence of people.

Factory setting: I

ON ↑ 		3	4	5	6	
	I	ON	ON	ON	ON	5Lux
	II	-	ON	ON	ON	15Lux
	III	ON	-	ON	ON	30Lux
	IV	-	-	ON	ON	50Lux
	V	ON	ON	-	ON	100Lux
	VI	ON	ON	ON	-	150Lux
	VII	-	-	-	-	Disable

Daylight Sensor

The sensor can be set to only allow the lamp to illuminate below a defined ambient brightness threshold. When set to Disable mode, the daylight sensor will switch on the lamp when motion is detected regardless of ambient light level. 100lux, 100lux, 50lux; twilight operation, 10lux, 5lux; darkness operation only. Note that daylight sensor is active only when lamp totally switches off.

Factory setting: VII

WARNING

MIN 75°C Supply conductor

This product must be installed in accordance with the applicable installation code by a person familiar with the construction and operation of the product and the hazards involved.