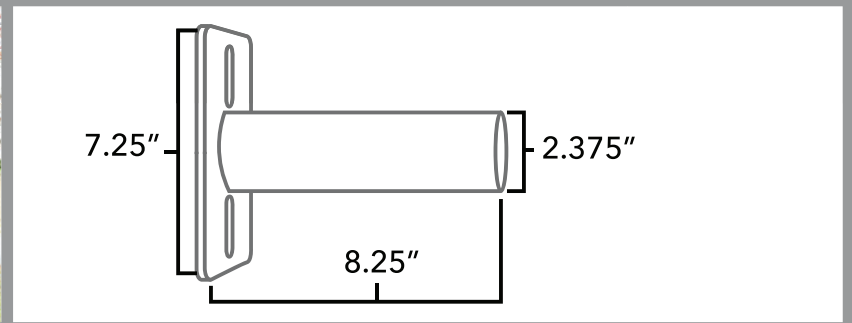
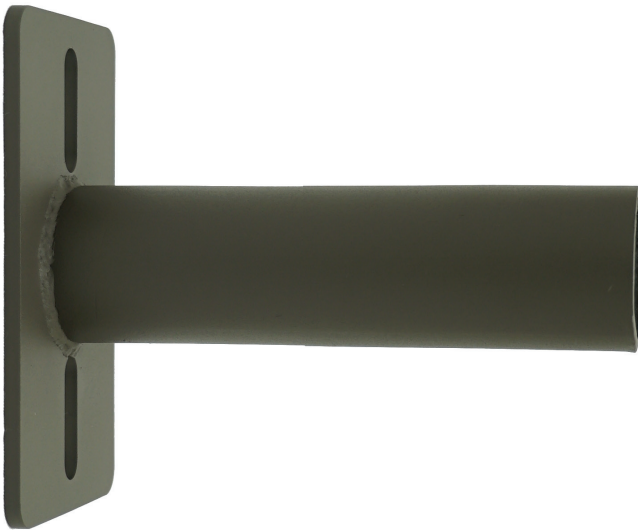


WALL MOUNT

HORIZONTAL WALL MOUNT TENON BRACKET

DESCRIPTION

Horizontal tenon mount supports the Slip Fitter or Street Light adapters with 2.38" inside diameter. The mount can be installed onto any surface with at least 7 inches in width and comes in a bronze finish.



SKU	GT-ST	Dimensions	7.25" x 2.375" x 8.25"
-----	-------	------------	------------------------

