

# LED MINI WALL PACK LIGHT

30W

PART NO: GT-MWP03-20WAF1-abc

**Note:**

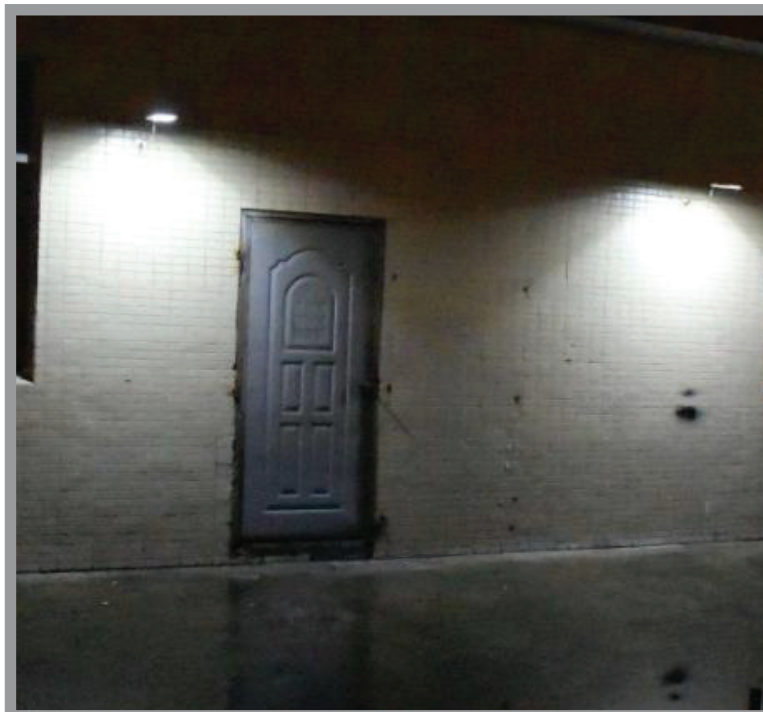
- GT= Company name
- MWP03 = Product series, LED Wall Pack Light 30W = Rating Power
- A = LED manufacturer, Hongli 2835
- F = Cover type, frosted cover
- A1 = Version number
- a = Housing colors, can be BH, WH, BR, SH, GR, GH, RH, PH, YH, BL, OH or GL
- b= Photocell, can be P or blank
- c= CCT,40=4000K,45=4500K,50=5000K,57=5700K

## ADVANTAGE

- ETL cETL DLC certificate
- Internal driver, Input voltage 100-277VAC
- No UV or IR in the beam
- Easy to install and operate
- Energy saving, long lifespan
- Instant start, NO humming
- Green and eco-friendly without mercury.

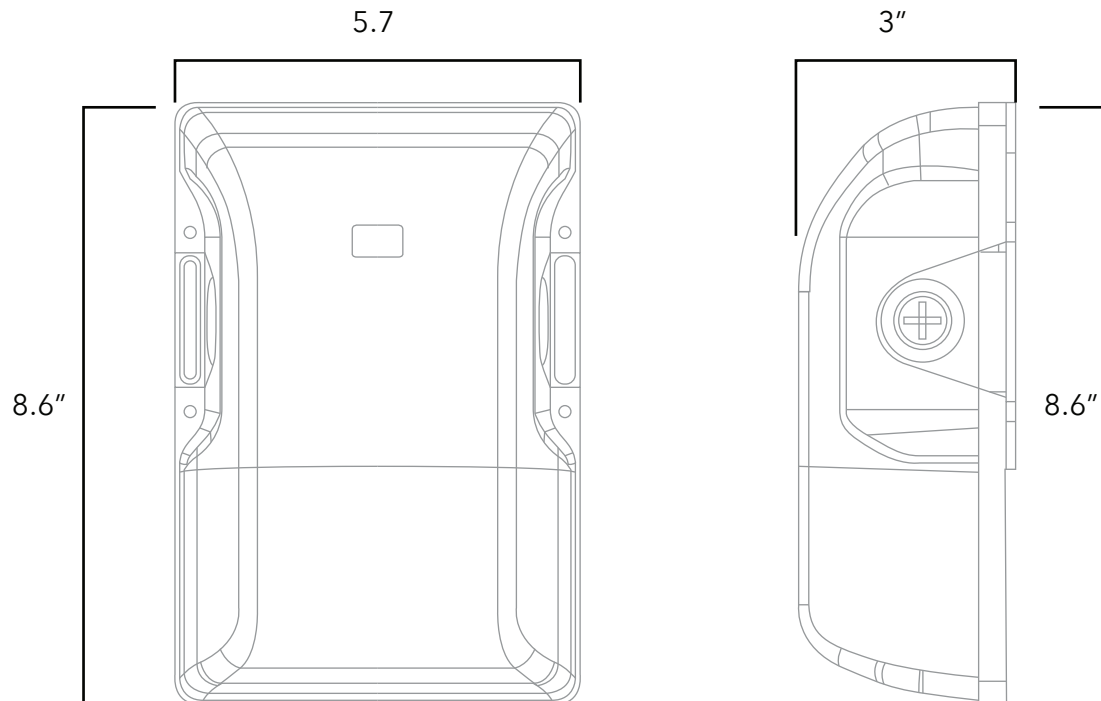
## APPLICATION

- Entrance lighting,
- Courtyard lighting
- Industrial lighting
- Outdoor landscape lighting
- Building,The hotel
- Wall lighting area and so on.



# LED MINI WALL PACK LIGHT

30W



## WARRANTY

This product has a warranty for a period of 5 years from the date of purchase. The warranty is invalid in the case of improper installation, tampering, or removal of the Q.C. date label. Installation in an improper working environment or installation not according to the current edition of the National Electric Code also invalidates the warranty. Should this product fail during the warranty period, it will

be replaced free of charge, subject to correct installation and return of the faulty unit. Greentek Energy Systems does not accept responsibility for any installation costs associated with the replacement of this product. This warranty is in addition to the statutory rights in the country of purchase. Greentek Energy Systems reserves the right to alter specifications without prior notice.

## PRODUCT SPECIFICATIONS

Part No	GT-MWP03-30WAF1	Input Voltage	100-277VAC 50/60Hz	Optional Accessory	Photocell (Option)
Dimension	8.6" x 5.7" x 3"	Driver model	SOSEN	Operating Temperature	-4°F TO 122°F
Color Temperature	5000K	PF	>0.9	Operating Humidity	20%-90% RH
CRI	>80	Waterproof Rating	IP65	Storage Temperature	-22°F TO 176°F
Lumen	3550-3900LM	LED Brand	Hongli	Storage Humidity	UL, cUL, DLC
Lumen Efficacy	125-135lm/W	LED Type	SMD2835(0.5W)	Application	Indoor / Outdoor
Input Power	30W	LED QTY	80PCS	Safety Certification	ETL, cETL,DLC
Viewing Angle	100°	Housing	Aluminum		
Housing color	Black/Brown/White /Customized	Warranty Time	5YRS		



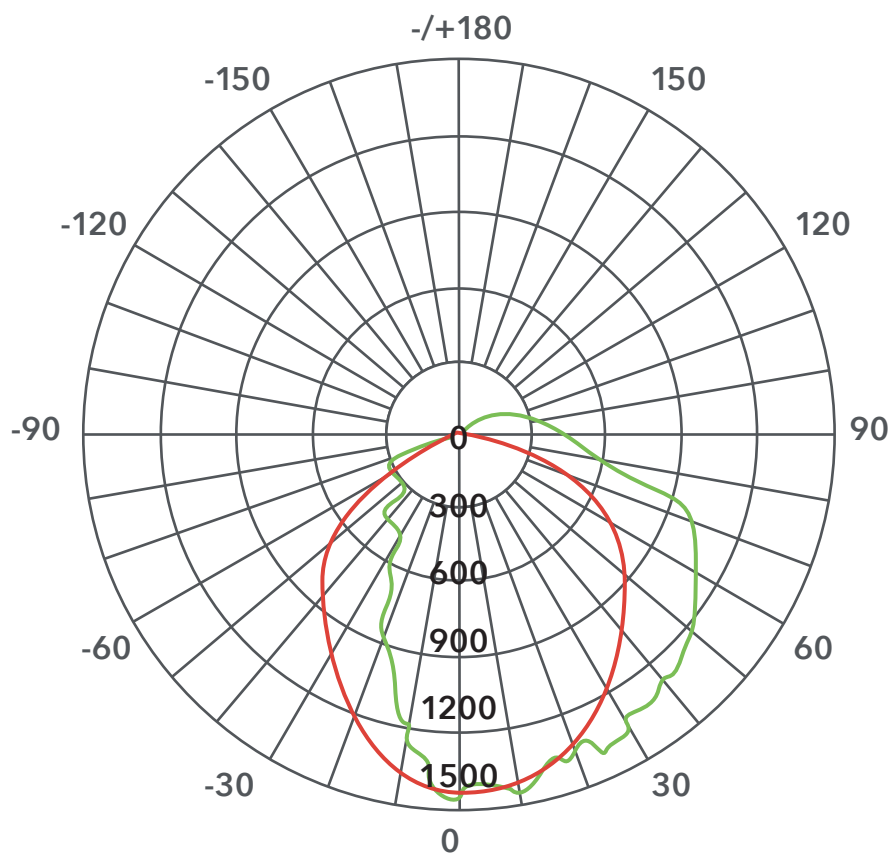
# LED MINI WALL PACK LIGHT

30W

## LIGHT DISTRIBUTION TESTING PARAMETERS

DATA OF LAMP		PHOTOMETRIC DATA Eff: 135.75 lm/W			
Model		Imax (cd)	1353	S/MH (C0/180)	1.16
Nominal Power (W)	30	LOR (%)	100.0	S/MH (C90/270)	0.71
Rated Voltage (V)	120	Total FLUX (lm)	3916.10	UP, DN (C0-180)	9.4, 62.1
Nominal Flux(lm)	3916.10	CIE CLASS	SEMI-D	UP, DN (C180-360)	1.9, 26.5
Lamps Inside	1	$\eta$ UP (%)	11.4	CIBSE SHR NOM	1.00
Test Voltage(V)	120.0	$\eta$ DOWN (%)	88.6	CIBSE SHR MAX	1.15

## LUMINOUS INTENSITY DISTRIBUTION DIAGRAM



**AVERAGE BEAM ANGLE (50%):  
100.2 DEG**

— C0/180 104.8

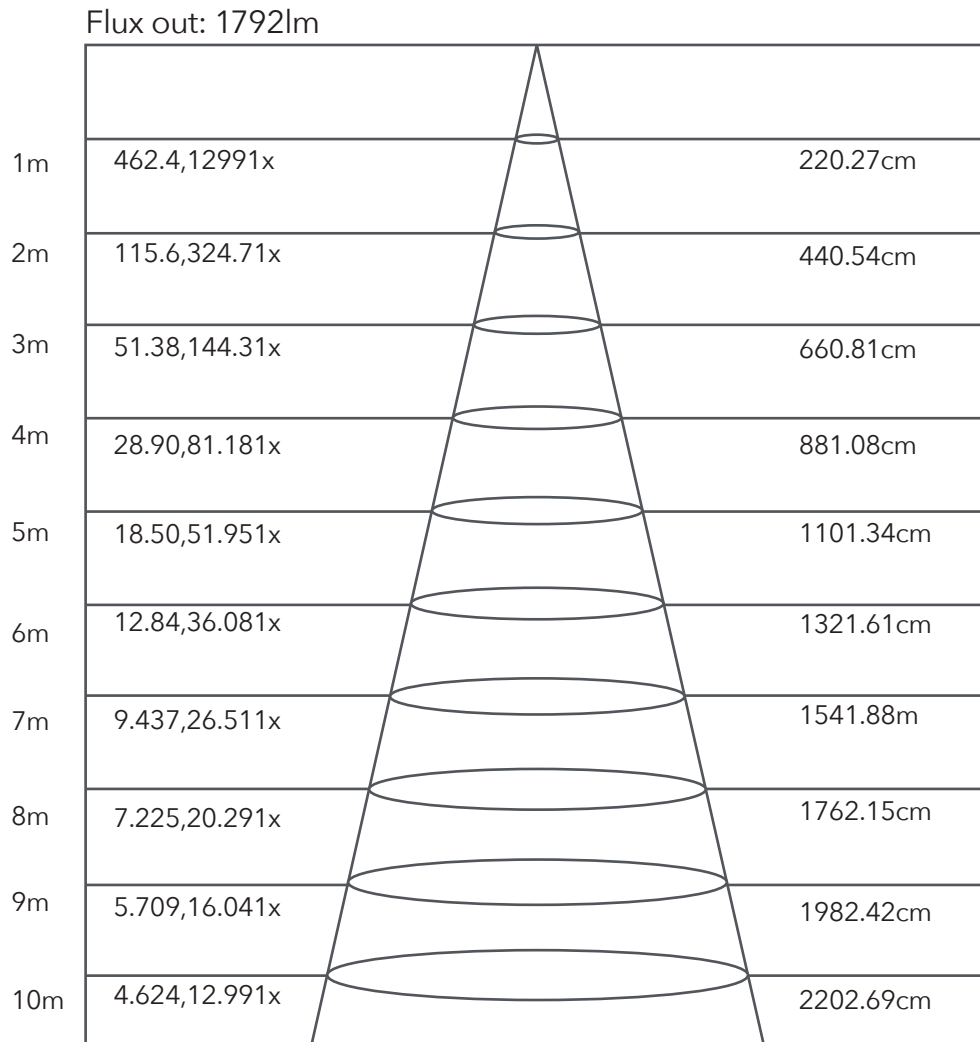
— C90/270 95.5



# LED MINI WALL PACK LIGHT

30W

## LUMINOUS INTENSITY DISTRIBUTION DIAGRAM



Height                      Eavg, Emax                      Angle: 95.52 deg                      Diameter

Note: The Curves indicate the illuminated area and the average illumination when the luminaire is at different distance.



# LED MINI WALL PACK LIGHT

30W

## PACKAGE

LAMP NET WEIGHT: 13.4LB / PC

	SIZE	QTY/CARTON	WEIGHT/ CARTON
Outer box	18" X 12.7" X 9.6"	10	22lbs
Inner box	6" X 3.4 X 8.8"	1	2lbs

## NOTICE

- Please turn off power before install or change assembly parts.
- The input voltage and lamps should be matched, after connecting the power line, Please make sure the wiring section is insulated.
- No-professionals, must not install and disassemble the lamps.

## TROUBLE SHOOTINGS

Troubles	Check points
Flickering of the light	Turn off the power and turn on again in 3 minutes. If same phenomena occur, then call agencies.
Out of working	Please check the connection.

