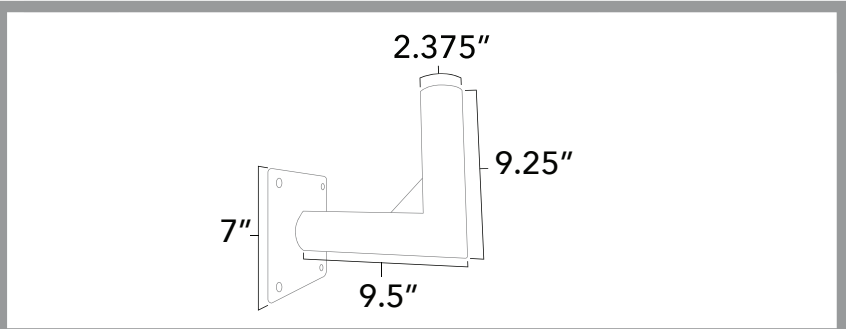


90° WALL MOUNT

Bracket with Tenon

DESCRIPTION

Our 90 degree angle pole mounting bracket comes in weather resistant powder finish. The horizontal tenon mount supports the Slip Fitter or Street Light adapters with 2.38" inside diameter. The mount can be installed onto any surface with at least 7 inches in width and comes in a bronze finish.



SKU	GT-90	Dimensions	9.25" x 9.5" x 7"
-----	-------	------------	-------------------

