

LED SOLAR LIGHTS

Plaza: 2000 Lumens All in one Solar Landscape Light

FEATURES

- 1 Smart Remote Control Function to satisfy different Customer use.
- 2 (ALS)Adaptive Lighting System to achieve all night lighting when Weather change.Constant current output!
- 3 VFT(Variable Frequency Technology) to Control and adjust the LED driver frequency to reach the max output of LED and Battery
- 4 TCS (Temperature Control System) to Protect the battery charging and discharging in high temperate
- 5 SSC LED chip, 160 lumen/W

Lighting Mode

3 different lighting modes

- 1 Continuous brightness for allotted time
- 2 Dim lighting + motion sensor mode
- 3 Timer lighting mode where the light is programmable for a certain time limit

Preset Lighting Modes in More Detail:

M1 30% brightness at 5 hours + 10% for 7 hours

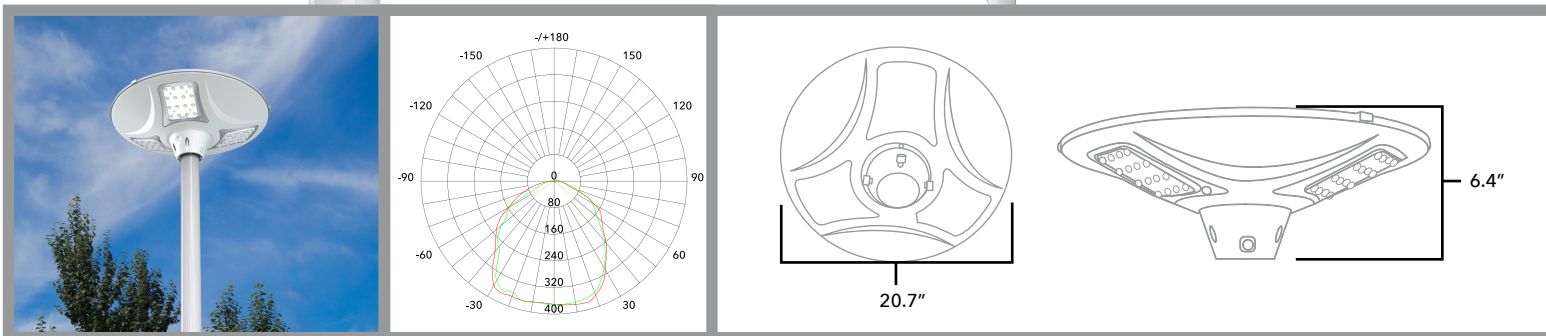
M2 40% brightness at 6 hours

Lighting Modes Via Controller

a. You can choose different brightness for whole night 10%, 30%, 60%, 100%.

b. You can choose different brightnesses and time 1/2/3/4/6*/8* hours (ex. 30% for 4 hours) - once the selected mode is completed, it will automatically initiate M2 for the remainder of the night. This mode has a memory function, therefore it will keep same light every night until you change it to another mode.

*To access 6 and 8 hours, simply move the switch from OFF to ON next to the batteries on the back of the remote, under the protective cap. If switched to "ON", T1 = 2hrs, T2 = 4hrs, T3 = 6hrs, T4 = 8hrs.



SKU	GT12PLZ	SOLAR CHARGING TIME	8-9 hours by bright sunlight	WATERPROOF	IP 65
CERTIFICATION	CE, ROHS, FCC, BV, BSCI, ISO	COLOR	6000K	SIZE	20.7" x 6.4"
LUMENS	2000 Lumens 48 LEDs 5700- 6500K	SOLAR PANEL	18W 18V	WARRANTY	2 Year
INSTALL HEIGHT	9-13ft	MATERIAL	Aluminium alloy + ABS	LI-ION BATTERY	115.4WH 14.8V