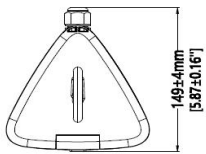




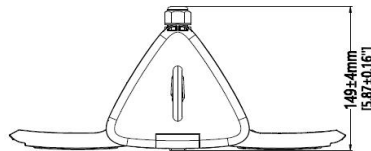
**GREENTEK ENERGY SYSTEMS, LLC**  
www.greentekes.com



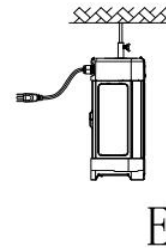
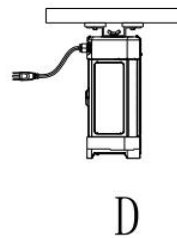
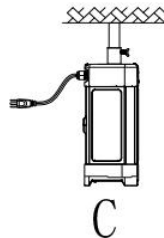
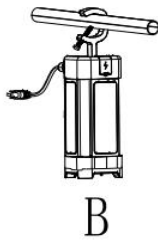
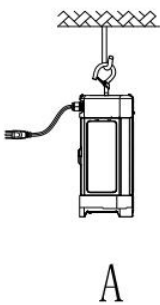
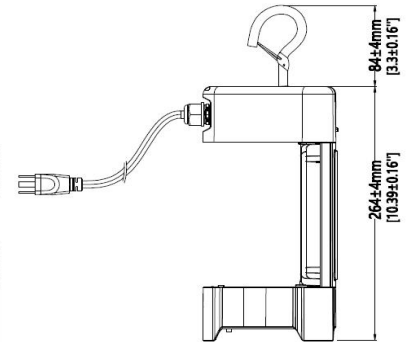
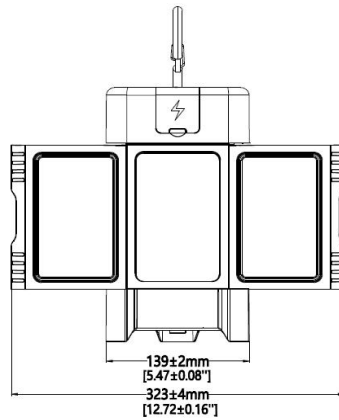
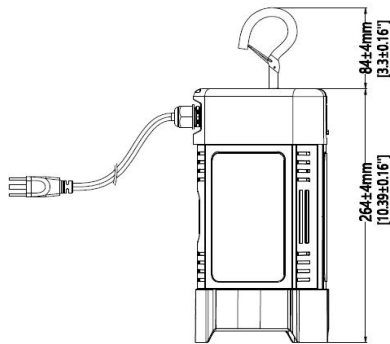
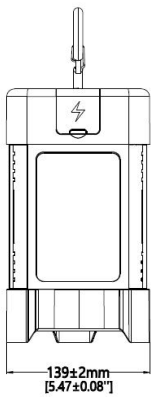
## DIMENSIONS



**Wings closed**



**Wings open**



category	A	B	C	D	E	F
Stent type	Hook Mount	Industry Hook Mount	Round Pipe Mount	Magnet Mount	1/4 NPT Stem Mount	5/8 NPT Stem Mount

P/N: GT-WORK-100WXY-c-d

Note:

GT= Company name;

WORK= Product series

100W = Rating Power

X = LED manufacturer, Can be any letter

Y= diffuser types: "F" for frosted type and "C" for clear type

"c" can be "XXK" for CCT like

30K=3000K, 35K=3500K, 40K=4000K, 45K=4500K,

50K=5000K, 57K=5700K, 65K=6500K;

d = wattage adjustable type, can be "S" for segmented wattage adjustable without 2.4G wireless dimming, or "W" for segmented wattage adjustable and 2.4G wireless dimming

## NOTICE FOR USER

- Please turn off power before installation or changing any assembly parts.
- The input voltage and lamps should be matched, after connecting the power line, please make sure the wiring section is insulated.
- No-professionals must not install or disassemble the lamps.

## ADVANTAGE

- UL certificate.
- Lumileds Chip, high CRI.
- Input voltage 120V AC.
- IP65 Waterproof Rating  
(when the lamp is not connected with other lamps)
- Output constant current lever can be adjusted through output cable with 0-10V.
- segmented wattage adjustable; or segmented wattage adjustable and 2.4G wireless dimming (work together with a remote control).
- Easy to install and operate.
- Energy saving, long lifespan.
- Light is soft and uniform, safe to eyes.
- Instant start, NO flickering, NO humming.
- Green and eco-friendly without mercury.
- Standard with 3-level segmenting dimming of 60W-80W-100W, wireless remote dimming is optional, wireless dimming range: 20%-100%
- With AC inlet plug and AC outlet socket, up to 12 lamps can be connected together for application. It can also be directly connected to work lamps to facilitate work.
- Marbles are used to control the rotation angle of the left and right modules, 0-120° rotation in 5 segments, helps to realize the maximum utilization of light.

## APPLICATION

- Subway construction,
- factory/residential renovation,
- dock and so on.

## SPECIFICATIONS

<b>OPTICAL</b>	Input Power (Tolerance : ±10%)	100W	
	Color Temperature	3000K	4000K-6500K
	Lumen (Tolerance : ±10%)	14000LM	14800LM
	Efficacy (Tolerance : ±3%)	140LM/W	148LM/W
	CRI	>80	
	Color Consistency	<6 Steps (or <6 SDCM)	
	Diffuser Type	clear or frosted PC	
	Viewing Angle (Tolerance : ±25%)	Wings closed: 360 Degree	Wings open: 150 Degree
<b>ELECTRICAL</b>	Input Voltage and Frequency	120V AC 50/60Hz	
	PF (Tolerance : -3%)	≥0.9	
	THD (Tolerance : +5%)	≤20%	
	Flicker Percent	<70%	
	Driver Surge protection	L/N-PE: 4kV, L-N: 4kV	

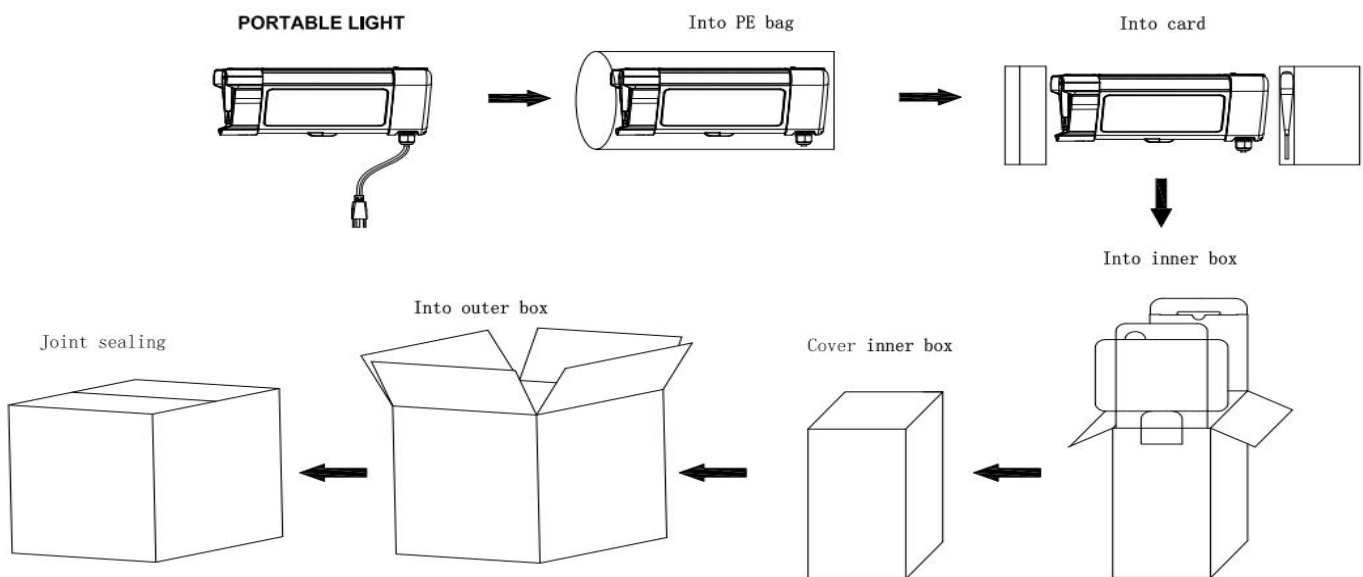
	Optional Accessory	Segmented dimming, optional wireless dimming
	Equivalent	250W MHL/HPS/HID
<b>MATERIALS</b>	LED Brand	Lumileds
	LED Type	SMD2835
	LED QTY	306 PCS
	Housing	PC + Aluminum
	Housing Color	Yellow/silver
	Waterproof Rating	DAMP (IP65)
<b>OTHERS</b>	Operating Temperature	Without Motion Sensor and Emergency Power Supply: -40°C TO 45°C
	Operating Humidity	20% - 90% RH
	Storage Temperature	-40°C TO 80°C
	Storage Humidity	10% - 95% RH
	Warranty Time	5 years

## PACKAGE

	Size	Qty / Carton	Net Weight / Carton	Gross Weight / Carton
Inner box	195*170*345mm [7.68*6.70*13.58 inch]	1PCS	2.34kg[5.15 LBS]	2.59kg[5.70LBS]
Outer box	410*360*360mm [16.14*14.17*14.17 inch]	4PCS	9.36kg[20.59 LBS]	11.08 kg[24.38 LBS]

Tolerance of Carton Size: ±15 MM[ ±0.59inch], Tolerance of Weight: ±10%.

category	A	B	C	D	E	F
Stent type	Hook Mount	Industry Hook Mount	Round Pipe Mount	Magnet Mount	1/4 NPT Stem Mount	5/8 NPT Stem Mount
weight	0.03 kg	0.16kg	0.04kg	0.18kg	0.02kg	0.03kg



## LIGHT DISTRIBUTION TESTING PARAMETERS

Remark: The testing data comes directly from the product test.( Wings closed 5000K)

### Luminaire Property

Luminaire Manufacturer:

Voltage: 120.8 V

Power: 99.06 W

Current: 0.828 A

Power Factor: 0.990

### Photometric Results

IES Classification: Type I

Total Rated Lamp Lumens: 14681.5 lm

Efficiency: 100%

Upward Ratio: 51%

Central Intensity: 10.7 cd

Pos of Max. Intensity: H225 V91

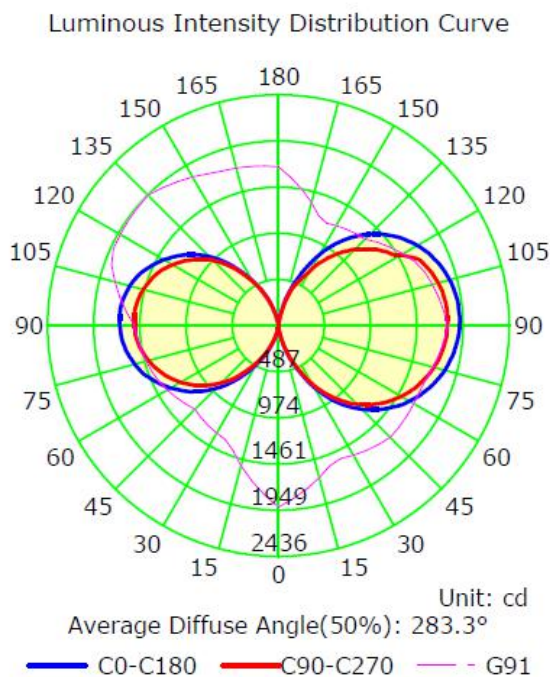
Longitudinal Classification: Very Long

Measurement Flux: 14681.5 lm

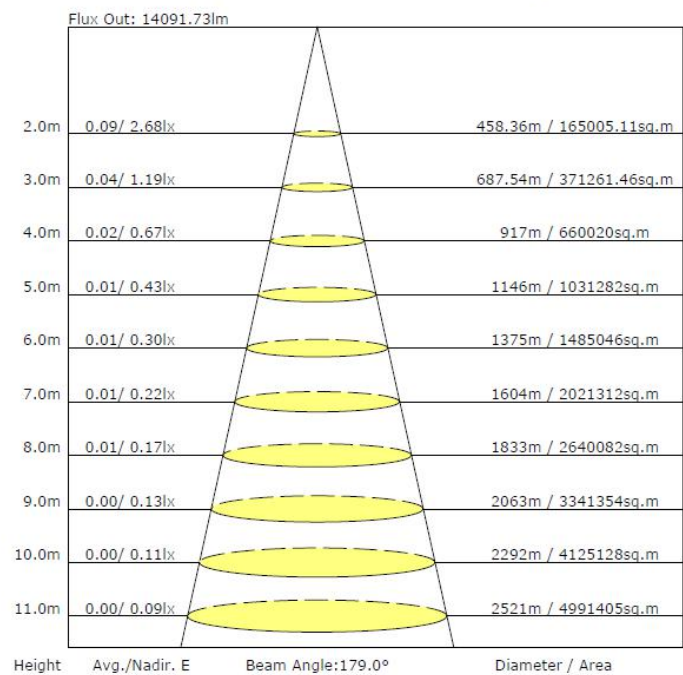
Downward Ratio: 49%

Luminaire Efficacy Rating (LER): 148.26

Max. Intensity: 1949.17 cd



### The Average Illuminance Effective Figure



## TROUBLE SHOOTINGS

Troubles	Check points
Flickering of the light	Turn off the power and turn on again in 3 minutes. If same phenomena occur, then call agencies.
Out of working	Please check the connection.