



GREENTEK ENERGY SYSTEMS, LLC  
www.greentekes.com



P/N: GT-VT-21WBM-ab-D

Note:

GT=Company name;

VT = Product series;

21W= Rating Power;

B=manufacturer of LED;

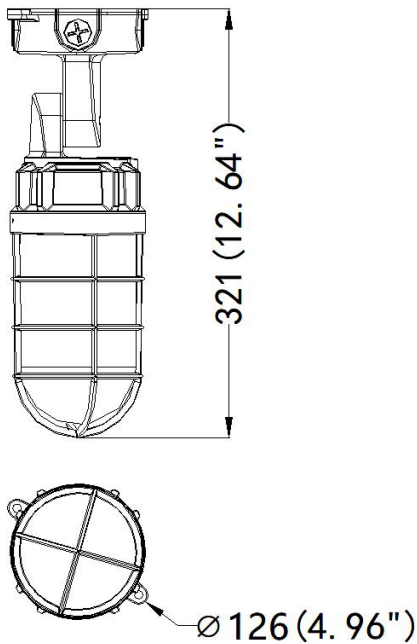
M= Diffuser type;

a= lamp colors;

b=CCT, can be 30/40/50=3000K/4000K/5000K;

D=LED Module type.

## DIMENSIONS



## ADVANTAGE

- UL DLC-V5.1 certificate.
- IP65, input voltage 120-277VAC.
- No UV or IR in the beam.
- Easy to install and operate.
- Energy saving, long lifespan.
- Light is soft and uniform, safe to eyes.
- Instant start, NO humming.
- Green and eco-friendly without mercury.
- 0-10V dimming standard.

## APPLICATION

- Garage, bathroom and attic ;
- Basement, lobby, corridor ;
- Restaurant, bar and country lighting, etc.

## SPECIFICATIONS

<b>OPTICAL</b>	Input Power (Tolerance : $\pm 10\%$ )	21W		
	Color Temperature	3000K	4000K	5000K
	Lumen (Tolerance : $-10\%$ )	2394LM	2688LM	2562LM
	Efficacy (Tolerance : $-3\%$ )	114LM/W	128LM/W	122LM/W
	CRI	>80		
	Color Consistency	<7 Steps (or <7 SDCM)		
	Beam Angle (50%) (Tolerance : $\pm 15\%$ )	160 Degree		
<b>ELECTRICAL</b>	Input Voltage and Frequency	120-277VAC, 50/60Hz		
	PF (Tolerance : $-3\%$ )	$\geq 0.9$		
	Driver Brand	China Brand Driver		
	Driver Model	HB-LJ01F021		
	Driver Surge protection	L/N-PE: 6KV L-N: 4KV		
	Dimming	0-10V dimming standard		
<b>MATERIALS</b>	LED Brand	Lumileds		
	LED Type	SMD2835		
	LED QTY	55 PCS*2		
	Housing	Die-cast aluminum		
	Housing Color	Any Colors		
	Waterproof Rating	WET (IP65)		
<b>OTHERS</b>	Operating Temperature	-30°C TO 45°C		
	Storage Temperature	-40°C TO 85°C		
	Operating Humidity	10% - 90% RH		
	Storage Humidity	10% - 95% RH		
	Warranty	5 years		

## PACKAGE

Bracket Type	Carton Size	Qty / Carton	Net Weight / Carton	Gross Weight / Carton
Inner box	127*127*355mm	1 PCS	1 Kg	1.1 Kg
Outer box	398*269*375mm	6 PCS	6 Kg	6.6 Kg

Tolerance of Carton Size:  $\pm 15$  MM, Tolerance of Weight:  $\pm 10\%$ .

## LIGHT DISTRIBUTION TESTING PARAMETERS

### Luminaire Property

Luminaire Manufacturer:

Voltage: 120.4 V

Power: 21.81 W

Current: 0.185 A

Power Factor: 0.980

### Photometric Results

CIE Class: Semi-Direct

Measurement Flux: 2583.4 lm

Downward Ratio: 82%

Horizontal Diffuse Angle(10%,50%): H260.6,H167.2

Vertical Diffuse Angle(10%,50%): V244.7,V168.6

Luminaire Efficacy Rating (LER): 118.50

Max. Intensity: 445.22 cd

S/MH(C0/C180): 1.41

Total Rated Lamp Lumens: 2583.4 lm

Efficiency: 100%

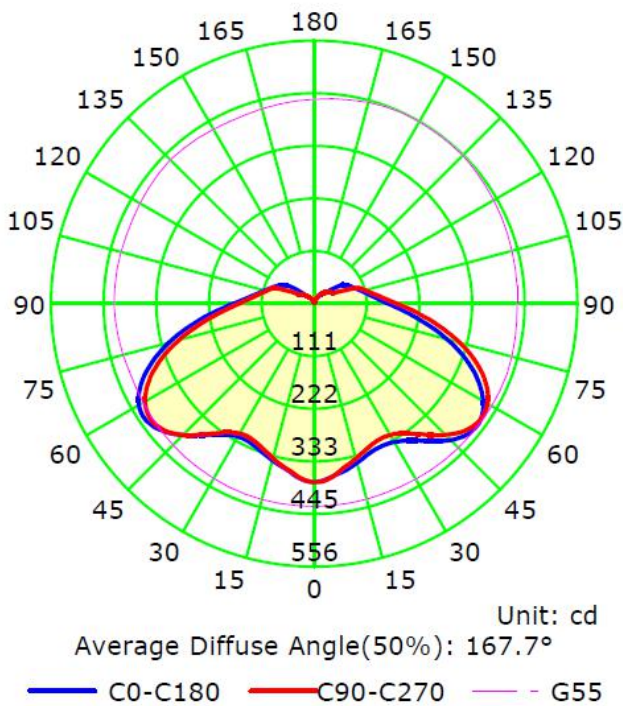
Upward Ratio: 18%

Central Intensity: 377.48 cd

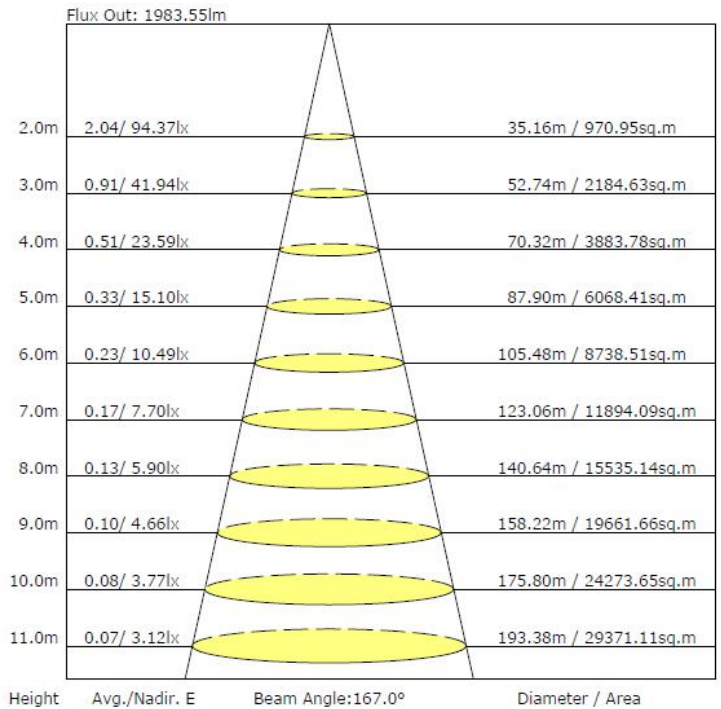
Pos of Max. Intensity: H157.5 V55

S/MH(C90/C270): 1.34

Luminous Intensity Distribution Curve



The Average Illuminance Effective Figure



## NOTICE FOR USER

- Please turn off power before install or change assembly parts.
- The input voltage and lamps should be matched, after connecting the power line, Please make sure the wiring section is insulated.
- No-professionals, must not install and disassemble the lamps.

## TROUBLE SHOOTINGS

Troubles	Check points
Flickering of the light	Turn off the power and turn on again in 3 minutes. If same phenomena occur, then call agencies.
Out of working	Please check the connection.