



GREENTEK ENERGY SYSTEMS, LLC
www.greentekes.com

P/N: GT-UHBc-240WBT2A1-abd

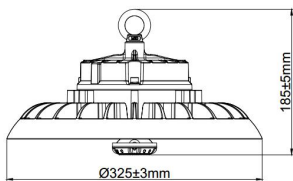
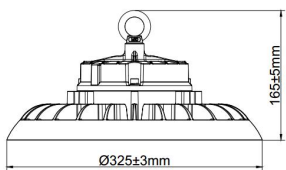
Note:

- GT= Company name;
- UHB = Product series, LED High Bay Light;
- c="M"represents motion sensor or "R" represents PIR sensor or blank for none;
- 240W= Rating Power;
- B=manufacturer of LED;
- T2=Diffuser type,90degree lens;
- A1= Version number;
- "a"can be any two letters to represent lamp colors; BH=Black, WH=White, or Customized;
- "b" can be "S" or blank for Surge-protective Device provided or not;
- "d" can be "XXK"for CCT, 40K=4000K,50K=5000K,57K=5700K;

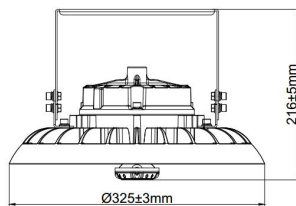
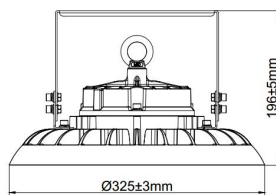


DIMENSIONS

Pendent



Surface-mounted



ADVANTAGE

- UL DLC-V5.1(Premium) certificate.
- Lumileds or Samsung Chip, high CRI.
- Input voltage 120-277VAC.
- Output constant current lever can be adjusted through output cable with 0-10V.
- No UV or IR in the beam.
- Easy to install and operate.
- Energy saving, long lifespan.
- Light is soft and uniform, safe to eyes.
- Instant start, NO flickering, NO humming.
- Green and eco-friendly without mercury.

APPLICATION

- Warehouse, factory and workshops;
- Highway toll station and gas station;
- Exhibition hall;
- Gymnasium and supermarkets, etc.

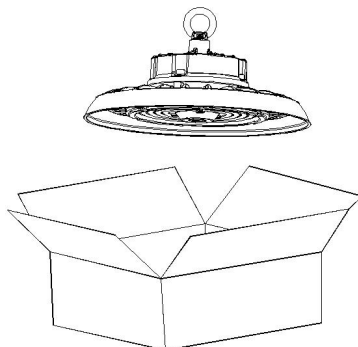
SPECIFICATIONS

OPTICAL	Input Power (Tolerance : ±10%)	240W
	Color Temperature	4000K,5000K,5700K
	Lumen (Tolerance : -10%)	38400-39120LM
	Efficacy (Tolerance : -3%)	160-163LM/W
	CRI	>80
	Color Consistency	<6 Steps (or <6 SDCM)
	UGR	<28 (X=4H, Y=8H; S/H=1; Reflectances: 70%/50%/20%)
	Diffuser Type	PC Lens
	Beam Angle (50%) (Tolerance : ±15%)	90 Degree
ELECTRICAL	Input Voltage and Frequency	120-277VAC, 50/60Hz
	PF (Tolerance : -3%)	≥0.9
	THD (Tolerance : +5%)	≤20%
	Flicker Percent	<10%
	Driver Brand	China Brand Driver (0-10V dimming)
	Driver Model	LF-FHB240YAIV
	Driver Surge protection	L/N-PE: 6kV, L-N: 6kV
	Dimming	0-10V dimming standard
	Optional Accessory	Motion Sensor, PIR sensor, Surge-protective Device
MATERIALS	LED Brand	Lumileds
	LED Type	SMD2835
	LED QTY	560PCS
	Housing	Die-cast aluminum
	Housing Color	Black, White, or Customized
	Waterproof Rating	WET (IP65)
OTHERS	Operating Temperature	Without Motion Sensor: -40℃ TO 50℃
		With Motion Sensor: -30℃ TO 50℃
	Storage Temperature	-40℃ TO 80℃
	Operating Humidity	20% - 90% RH
	Storage Humidity	10% - 95% RH
Warranty	5 years	

PACKAGE

Lamp Type	Carton Size	Qty / Carton	Net Weight / Carton	Gross Weight / Carton
Pendent	340*340*145mm	1 PC	2.6KG	3.3KG
Surface-mounted	340*340*145mm	1 PC	3.3KG	4.2KG

Tolerance of Carton Size: ±15 MM, Tolerance of Weight: ±10%.



NOTICE FOR USER

- Please turn off power before install or change assembly parts.
- The input voltage and lamps should be matched, after connecting the power line, Please make sure the wiring section is insulated.
- No-professionals, must not install and disassemble the lamps.

TROUBLE SHOOTINGS

Troubles	Check points
Flickering of the light	Turn off the power and turn on again in 3 minutes. If same phenomena occur, then call agencies.
Out of working	Please check the connection.