

**GREENTEK ENERGY SYSTEMS, LLC**  
www.greentekes.com



P/N: GT-UFO5c-240WBT2H1-aSCCTDWb

**Note:**

GT= Company name;

UFO5 = Product series, LED High Bay Light;

c= can be "M", "R" or blank for DC Motion Sensor, DC PIR sensor provided or not;

240W= Rating Power;

B= LED manufacturer, Lumileds 2835;

T2 = 90°PC lens;

H1= Version number;

"a" can be any two letters to represent lamp colors;

BH=Black,WH=White, or Customized;

SCCT=select CCT 3500/4000/5000K

"D" stand for color tunable

"W" Stand for wattage tunable

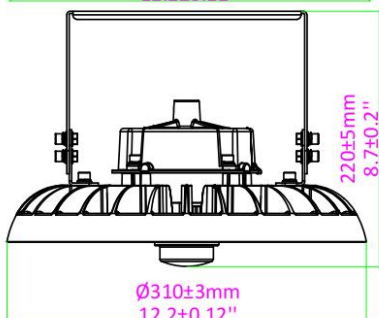
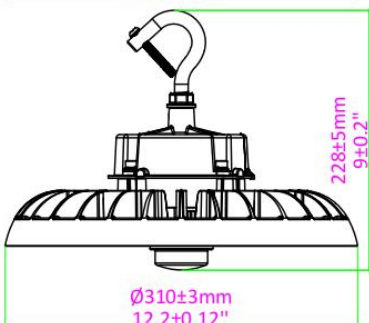
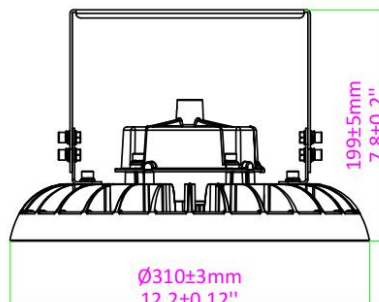
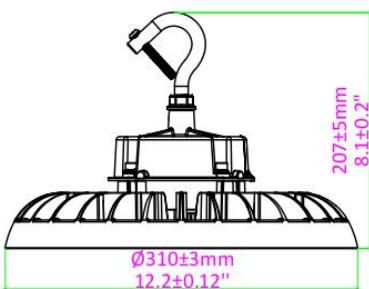
"b" can be "S" or "EM" or blank for Surge-protective Device provided or Emergency Driver or not;



**DIMENSIONS**

**Pendent**

**Surface-mounted**



**ADVANTAGE**

- UL DLC5.1 premium certificate.
- Lumileds Chip, high CRI.
- Input voltage 277-480VAC.
- Output constant current lever can be adjusted through output cable with 0-10V.
- No UV or IR in the beam.
- Easy to install and operate.
- Energy saving, long lifespan.
- Light is soft and uniform, safe to eyes.
- Instant start, NO humming.
- Green and eco-friendly without mercury.

**APPLICATION**

- Warehouse, factory and workshops;
- Highway toll station and gas station;
- Exhibition hall;
- Gymnasium and supermarkets, etc.

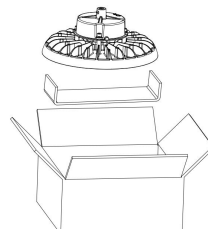
## SPECIFICATIONS

<b>OPTICAL</b>	Input Power (Tolerance : ±10%)	240W (Wattage adjustable: 50%-100%)		
	Color Temperature (Color Tunable)	3500K	4000K	5000K
	Lumen (Tolerance :±10%)	35040 LM	39600 LM	37200 LM
	Efficacy (Tolerance :±3%)	146 LM/W	165 LM/W	155 LM/W
	CRI	>80		
	Color Consistency	<7 Steps (or <7 SDCM)		
	UGR	<28 (X=4H, Y=8H; S/H=1; Reflectances: 70%/50%/20%)		
	Diffuser Type	PC Lens		
	Beam Angle (50%) (Tolerance : ±15%)	90 Degree		
<b>ELECTRICAL</b>	Input Voltage and Frequency	277-480VAC, 50/60Hz		
	PF (Tolerance : -3%)	≥0.9		
	THD (Tolerance : +5%)	≤20%		
	Flicker Percent	<5%		
	Driver Surge protection	L/N-PE: 6kV, L-N: 6kV		
	Dimming	0-10V dimming standard		
	Sensor Type	Daylight Sensor, Occupancy Sensor, Multifunction Sensor, Integral sensor,Receptacle		
	Optional Accessory	Motion microwave Sensor, Motion PIR Sensor ,Surge-protective Device, Emergency Power Supply		
<b>MATERIALS</b>	LED Brand	Lumileds		
	LED Type	SMD2835		
	LED QTY	400*2PCS		
	Housing	Die-cast aluminum		
	Housing Color	Black, White, or Customized		
	Waterproof Rating	WET (IP65)		
<b>OTHERS</b>	Operating Temperature	Without Motion Sensor: -40°C TO 50°C		
		With Motion Sensor: -30°C TO 50°C		
		With Emergency: 0°C TO 50°C		
	Storage Temperature	-40°C TO 80°C		
	Operating Humidity	20% - 90% RH		
	Storage Humidity	10% - 95% RH		
	Warranty	5 years		

## PACKAGE

Lamp Type	Carton Size	Qty / Carton	Net Weight / Carton	Gross Weight / Carton
Pendent	330*330*145MM[12.99*12.99*5.71inch]	1PCS	2.7KG[5.95LBS]	3.2KG[7.05LBS]
Surface-mounted	330*330*145MM[12.99*12.99*5.71inch]	1PCS	3.1KG[6.83LBS]	3.6KG[7.93LBS]

Tolerance of Carton Size: ±15 mm[±0.59 inch], Tolerance of Weight: ±10%.



## LIGHT DISTRIBUTION TESTING PARAMETERS

### Luminaire Property

Luminaire Manufacturer:

Luminaire Category:

Lamp Catalog:

Number of Lamps:

Luminous Length (mm): -237

Luminous Height (mm):

Current: 0.880 A

Power Factor: 0.999

Luminaire Description:

Lamp Description:

Lumens per Lamp:

Luminous Width (mm): -237

Voltage: 277.0 V

Power: 243.39 W

### Photometric Results

CIE Class: Direct

Measurement Flux: 36456.8 lm

Downward Ratio: 100%

Horizontal Diffuse Angle(10%,50%): H123.2,H81.8

Vertical Diffuse Angle(10%,50%): V122.1,V82

Luminaire Efficacy Rating (LER): 149.84

Max. Intensity: 20203.33 cd

S/MH(C0/C180): 1.24

Total Rated Lamp Lumens: 36456.8 lm

Efficiency: 100%

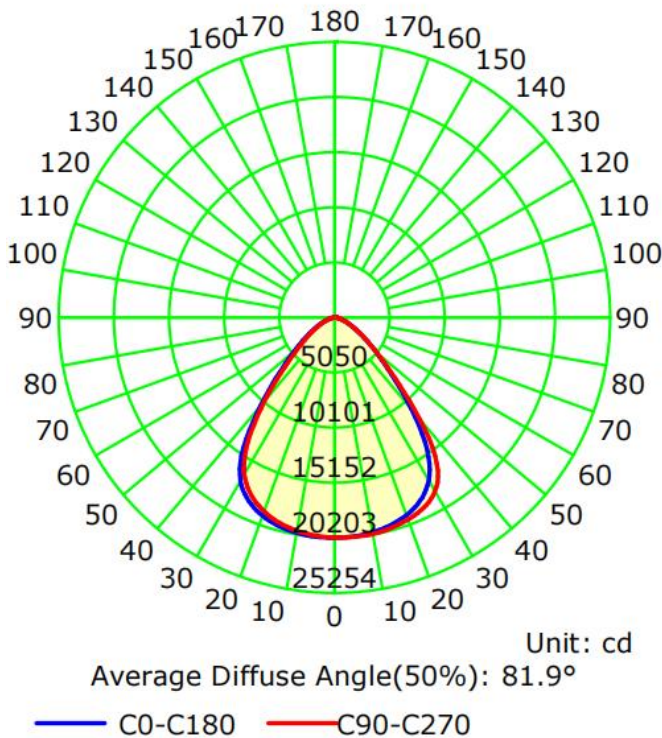
Upward Ratio: 0%

C0r0 Intensity: 20167.93 cd

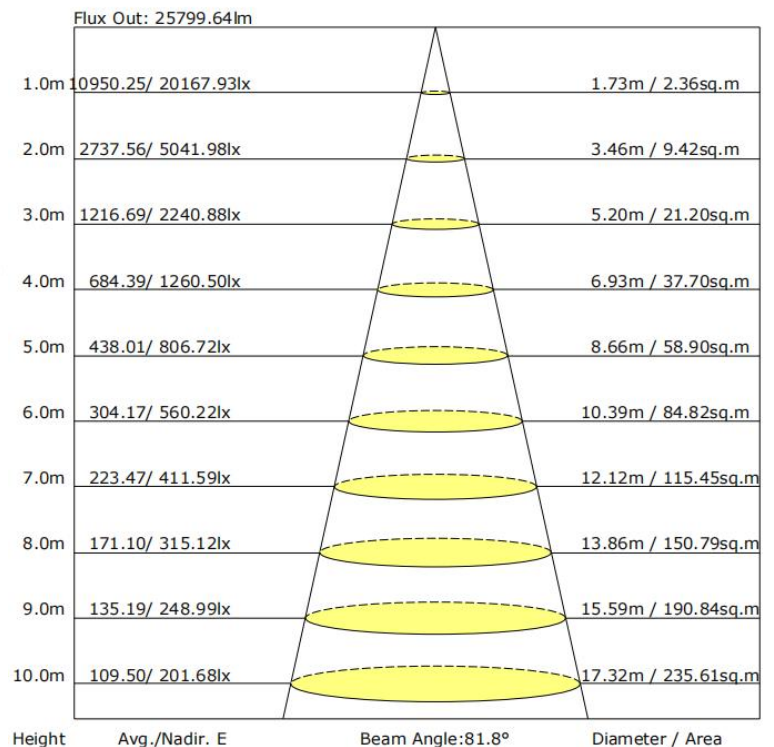
Pos of Max. Intensity: H112.5 V5

S/MH(C90/C270): 1.26

Luminous Intensity Distribution Curve



The Average Illuminance Effective Figure



## NOTICE FOR USER

- Please turn off power before install or change assembly parts.
- The input voltage and lamps should be matched, after connecting the power line, Please make sure the wiring section is insulated.
- No-professionals, must not install and disassemble the lamps.

## TROUBLE SHOOTINGS

Troubles	Check points
Flickering of the light	Turn off the power and turn on again in 3 minutes. If same phenomena occur, then call agencies.
Out of working	Please check the connection.