



**GREENTEK ENERGY SYSTEMS, LLC**  
[www.greentekes.com](http://www.greentekes.com)



P/N:GT-UFO4c-240WBT2H1-abd

**Note:**

GT= Company name;

UFO4= Product series, LED High Bay Light;

"c" can be "M", "P" or blank for DC Motion Sensor, DC PIR sensor provided or not;

240W=Rating Power;

"B" =LED manufacturer, Lumileds2835;

T2 = 90°PC lens;

H1=Version number;

"a" can be any two letters for lamp colors,such as BH=Black, WH=White, or Customized;

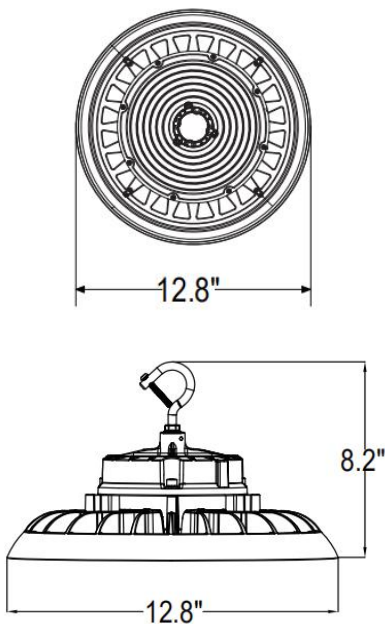
"b" can be "10SP", "20SP" or blank for Surge-Protective Device provided or not;

"d" can be XXK for CCT,40K=4000K,50K=5000K,57K=5700K



## DIMENSIONS

### Pendent



## ADVANTAGE

- UL DLC-V5.1(Premium) certificate.
- Lumileds Chip, high CRI.
- Input voltage 277-480VAC.
- Output constant current lever can be adjusted through output cable with 0-10V.
- No UV or IR in the beam.
- Easy to install and operate.
- Energy saving, long lifespan.
- Light is soft and uniform, safe to eyes.
- Instant start, NO flickering, NO humming.
- Green and eco-friendly without mercury.

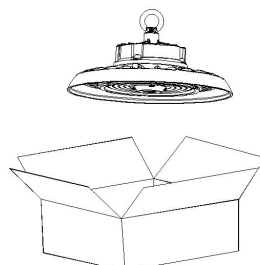
## SPECIFICATIONS

<b>OPTICAL</b>	Input Power (Tolerance : ±5%)	240W		
	Color Temperature	4000K	5000K	5700K
	Lumen (Tolerance : ±10%)	33600lm	34080lm	34320lm
	Efficacy (Tolerance : ±3%)	140lm/W	142lm/W	143lm/W
	CRI	>80		
	Color Consistency	<6 Steps (or <6 SDCM)		
	UGR	<28 (X=4H, Y=8H; S/H=1; Reflectances: 70%/50%/20%)		
	Diffuser Type	PC Lens		
	Beam Angle (50%) (Tolerance : ±15%)	90 Degree		
<b>ELECTRICAL</b>	Input Voltage and Frequency	277-480VAC, 50/60Hz		
	PF (Tolerance : -3%)	≥0.9		
	THD (Tolerance : +5%)	≤20%		
	Flicker Percent	<5%		
	Driver Brand	Fahold		
	Driver Model	K1-V240B-260B12		
	Driver Surge protection	L-N: 6kV, L/N-PE: 6kV		
	Dimming	0-10V dimming standard		
	Sensor type	Daylight Sensor, Occupancy Sensor, Multifunction Sensor, Integral sensor, Receptacle		
	Optional Accessory	Motion microwave Sensor, Motion PIR Sensor Surge-protective Device		
<b>MATERIALS</b>	LED Brand	Lumileds		
	LED Type	SMD2835		
	LED QTY	400PCS		
	Housing	Die-cast aluminum		
	Housing Color	Black, White, or Customized		
	Waterproof Rating	WET (IP65)		
<b>OTHERS</b>	Operating Temperature	Without Motion Sensor: -40°C TO 50°C		
		With Motion Sensor: -30°C TO 50°C		
	Storage Temperature	-40°C TO 80°C		
	Operating Humidity	20% - 90% RH		
	Storage Humidity	10% - 95% RH		
Warranty	5 years			

## PACKAGE

Lamp Type	Carton Size	Qty / Carton	Net Weight / Carton	Gross Weight / Carton
Pendent	340*340*145mm [13.39*13.39*5.71 inch]	1 PC	2.6KG [5.72 LBS]	3.3KG [7.26 LBS]
Surface-mounted	340*340*145mm [13.39*13.39*5.71 inch]	1 PC	3.3KG [7.26 LBS]	4.2KG [9.24 LBS]

Tolerance of Carton Size: :±15 mm[±0.59 inch], Tolerance of Weight: ±10%.



## LIGHT DISTRIBUTION TESTING PARAMETERS

### Luminaire Property

Luminaire Manufacturer:  
 Luminaire Category:  
 Lamp Catalog:  
 Number of Lamps:  
 Luminous Length (mm): -210  
 Luminous Height (mm):  
 Current: 0.862 A  
 Power Factor: 0.998

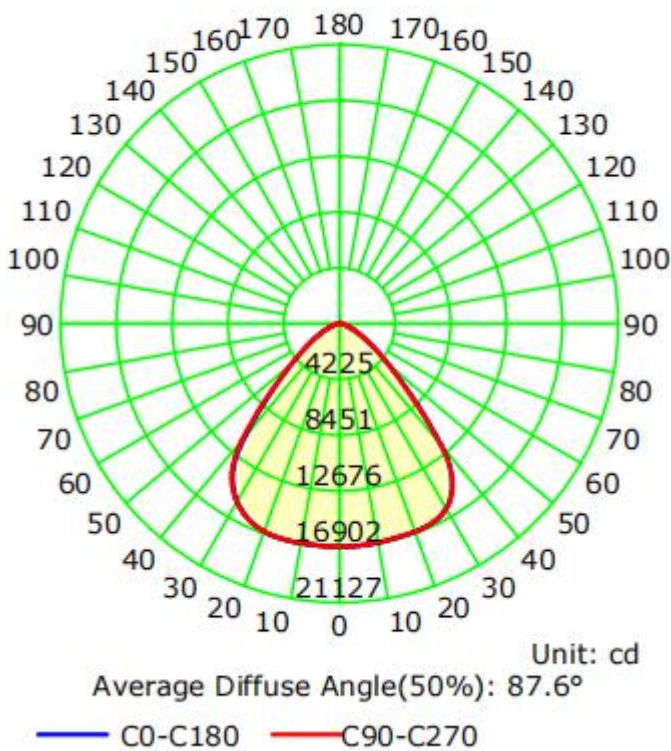
Luminaire Description:  
 Lamp Description:  
 Lumens per Lamp:  
 Luminous Width (mm): -210  
 Voltage: 277.0 V  
 Power: 238.34 W

### Photometric Results

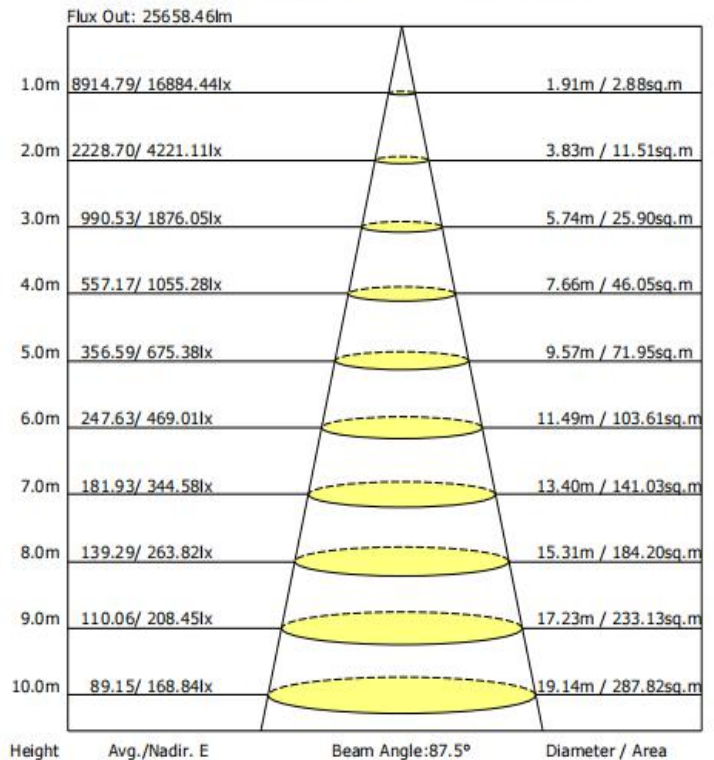
CIE Class: Direct  
 Measurement Flux: 33853.8 lm  
 Downward Ratio: 100%  
 Horizontal Diffuse Angle(10%,50%): H124.8,H87.5  
 Vertical Diffuse Angle(10%,50%): V124.7,V87.7  
 Luminaire Efficacy Rating (LER): 142.09  
 Max. Intensity: 16902.33 cd  
 S/MH(C0/C180): 1.35

Total Rated Lamp Lumens: 33853.8 lm  
 Efficiency: 100%  
 Upward Ratio: 0%  
 C0r0 Intensity: 16884.44 cd  
 Pos of Max. Intensity: H225 V13  
 S/MH(C90/C270): 1.36

Luminous Intensity Distribution Curve



The Average Illuminance Effective Figure



## NOTICE FOR USER

- Please turn off power before install or change assembly parts.
- The input voltage and lamps should be matched, after connecting the power line, Please make sure the wiring section is insulated.
- No-professionals, must not install and disassemble the lamps.

## TROUBLE SHOOTINGS

<b>Troubles</b>	<b>Check points</b>
Flickering of the light	Turn off the power and turn on again in 3 minutes. If same phenomena occur, then call agencies.
Out of working	Please check the connection.