



GREENTEK ENERGY SYSTEMS, LLC
www.greentekes.com

P/N: GT-UFO4c-150WBT2A1-abd

Note:

GT= Company name;

UFO4= Product series, LED High Bay Light;

“c” can be “M”, “P” or blank for DC Motion Sensor, DC PIR sensor provided or not;

150W=Rating Power;

“B” =LED manufacturer, Lumileds2835;

T2 = 90°PC lens;

A1=Version number;

“a” can be any two letters for lamp colors, such as BH=Black, WH=White, or Customized;

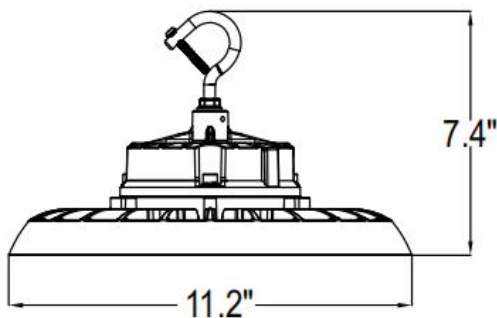
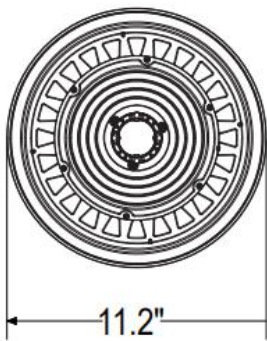
“b” can be “10SP”, “20SP” or blank for Surge-Protective Device provided or not;

“d” can be XXK for CCT,40K=4000K,50K=5000K,57K=5700K



DIMENSIONS

Pendent



ADVANTAGE

- UL DLC-V5.1(Premium) certificate.
- Lumileds Chip, high CRI.
- Input voltage 120-277VAC.
- Output constant current lever can be adjusted through output cable with 0-10V.
- No UV or IR in the beam.
- Easy to install and operate.
- Energy saving, long lifespan.
- Light is soft and uniform, safe to eyes.
- Instant start, NO flickering, NO humming.
- Green and eco-friendly without mercury.

APPLICATION

- Warehouse, factory and workshops;
- Highway toll station and gas station;
- Exhibition hall;
- Gymnasium and supermarkets, etc.

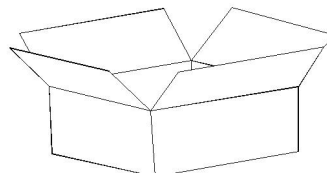
SPECIFICATIONS

OPTICAL	Input Power (Tolerance : ±5%)	150W		
	Color Temperature	4000K	5000K	5700K
	Lumen (Tolerance : ±10%)	20700lm	21000lm	21200lm
	Efficacy (Tolerance : ±3%)	138lm/W	140lm/W	141lm/W
	CRI	>80		
	Color Consistency	<6 Steps (or <6 SDCM)		
	UGR	<28 (X=4H, Y=8H; S/H=1; Reflectances: 70%/50%/20%)		
	Diffuser Type	PC Lens		
	Beam Angle (50%) (Tolerance : ±15%)	90 Degree		
ELECTRICAL	Input Voltage and Frequency	120-277VAC, 50/60Hz		
	PF (Tolerance : -3%)	≥0.9		
	THD (Tolerance : +5%)	≤20%		
	Flicker Percent	<10%		
	Driver Brand	China Brand Driver (0-10V dimming)		
	Driver Model	LF-FHB150YAIV		
	Driver Surge protection	L-N: 6kV, L/N-PE: 6kV		
	Dimming	0-10V dimming standard		
	Sensor type	Daylight Sensor, Occupancy Sensor, Multifunction Sensor, Integral sensor, Receptacle		
	Optional Accessory	Motion microwave Sensor, Motion PIR Sensor Surge-protective Device		
	MATERIALS	LED Brand	Lumileds	
LED Type		SMD2835		
LED QTY		240PCS		
Housing		Die-cast aluminum		
Housing Color		Black, White, or Customized		
Waterproof Rating		WET (IP65)		
OTHERS	Operating Temperature	Without Motion Sensor: -40°C TO 50°C		
		With Motion Sensor: -30°C TO 50°C		
	Storage Temperature	-40°C TO 80°C		
	Operating Humidity	20% - 90% RH		
	Storage Humidity	10% - 95% RH		
Warranty	5 years			

PACKAGE

Lamp Type	Carton Size	Qty / Carton	Net Weight / Carton	Gross Weight / Carton
Pendent	300*300*130mm	1 PC	1.8KG	2.5KG
Surface-mounted	300*300*130mm	1 PC	2.4 KG	3.1KG

Tolerance of Carton Size: ±15 MM, Tolerance of Weight: ±10%.



LIGHT DISTRIBUTION TESTING PARAMETERS

Luminaire Property

Luminaire Manufacturer:
 Luminaire Category:
 Lamp Catalog:
 Number of Lamps:
 Luminous Length (mm):
 Luminous Height (mm):
 Current: 1.252 A
 Power Factor: 0.998

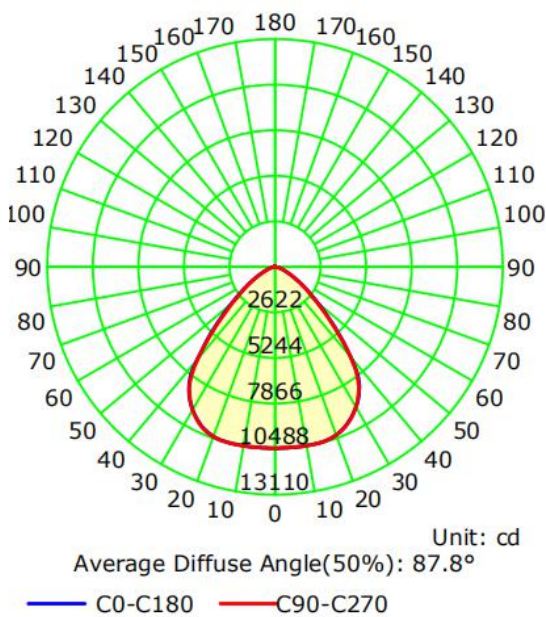
Luminaire Description:
 Lamp Description:
 Lumens per Lamp:
 Luminous Width (mm):
 Voltage: 120.0 V
 Power: 149.92 W

Photometric Results

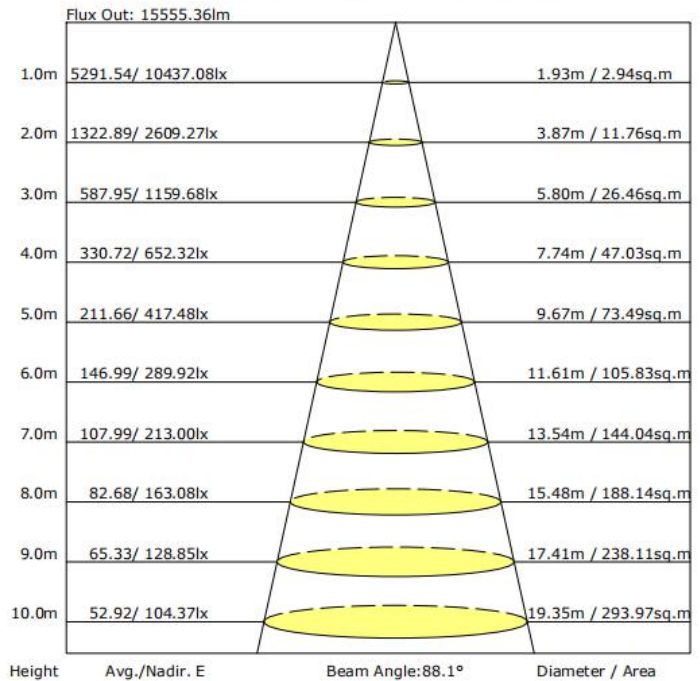
CIE Class: Direct
 Measurement Flux: 20699.5 lm
 Downward Ratio: 100%
 Horizontal Diffuse Angle(10%,50%): H125.7,H88.1
 Vertical Diffuse Angle(10%,50%): V125.2,V87.5
 Luminaire Efficacy Rating (LER): 138.12
 Max. Intensity: 10488.74 cd
 S/MH(C0/C180): 1.31

Total Rated Lamp Lumens: 20699.5 lm
 Efficiency: 100%
 Upward Ratio: 0%
 C0r0 Intensity: 10437.08 cd
 Pos of Max. Intensity: H315 V13
 S/MH(C90/C270): 1.30

Luminous Intensity Distribution Curve



The Average Illuminance Effective Figure



NOTICE FOR USER

- Please turn off power before install or change assembly parts.
- The input voltage and lamps should be matched, after connecting the power line, Please make sure the wiring section is insulated.
- No-professionals, must not install and disassemble the lamps.

TROUBLE SHOOTINGS

Troubles	Check points
Flickering of the light	Turn off the power and turn on again in 3 minutes. If same phenomena occur, then call agencies.
Out of working	Please check the connection.