



GREENTEK ENERGY SYSTEMS, LLC
www.greentekes.com

P/N:GT-SWP5-80W-HBCGcb-ae-S-W

Note:

GT=Company Name;

SWP5=Product series,LED Semi-cut off Wall Pack;

80W=Rating Power;

H=277-480VAC;

B=LED manufacturer,Lumileds;

CG=stripe glass;

“c” can be “S” or blank for Surge-Protective Device provided or not

“b” can be “MS”, “PS” or blank for sensor function provided or not;

“a” can be any two letters to represent lamp colors;

“e” can be XXK for CCT,

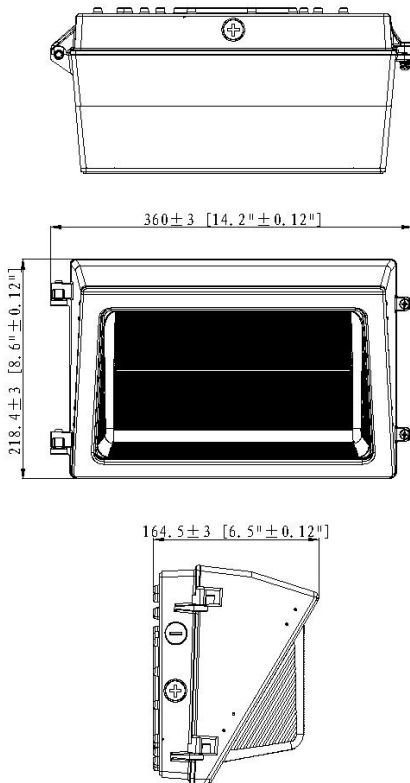
such as 40K=4000K, 50K=5000K, 57K=5700K, 65K=6500K;

S=Color Non-tunable;

W=represents for dimming module provided



DIMENSIONS



ADVANTAGE

- UL DLC 5.1 premium certificate
- Lumileds 2835, high CRI.
- Input voltage 277-480VAC .
- Output constant current lever can be adjusted through output cable with 0-10V.
- No UV or IR in the beam.
- Easy to install and operate.
- Energy saving, long lifespan.
- Light is soft and uniform, safe to eyes.
- Instant start, NO flickering, NO humming.
- Green and eco-friendly without mercury.

APPLICATION

- Entrance lighting,courtyard lighting;
- Industrial lighting,Outdoor landscape lighting;
- Building,The hotel;
- Wall lighting area and so on.

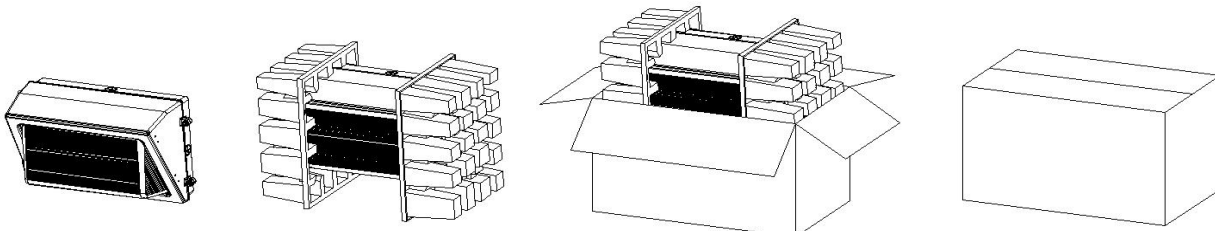
SPECIFICATIONS

OPTICAL	Input Power (Tolerance : ±10%)	80W (Wattage adjustable)			
	Color Temperature	4000K	5000K	5700K	6500K
	Lumen (Tolerance : ±10%)	10910LM	10990LM	11030LM	11100LM
	Efficacy (Tolerance : ±3%)	136LM/W	136LM/W	136LM/W	137LM/W
	CRI	>80			
	Color Consistency	<6 Steps (or <6 SDCM)			
	BUG	B2-U4-G4			
	Diffuser Type	Stripe Glass			
	Beam Angle (50%) (Tolerance : ±15%)	H94*V103			
ELECTRICAL	Input Voltage and Frequency	277-480VAC 50/60Hz			
	PF (Tolerance : -3%)	≥0.9			
	THD (Tolerance : +5%)	≤20%			
	Flicker Percent	<5%			
	Driver Model	R1-V100D-260B12			
	Driver Surge protection	L-N: 6kV , L&N-E:6kV			
	Dimming	DALI or optic light control, 0-10V dimming optional			
	Sensor Type	Occupancy Sensor			
	Optional Accessory	Surge-protective Device, Motion Sensor, PIR Sensor			
MATERIALS	LED Brand	LUMILEDS			
	LED Type	SMD 2835			
	LED QTY	182 PCS			
	Housing	Die-cast aluminum			
	Housing Color	All Color			
	Waterproof Rating	WET (IP65)			
OTHERS	Operating Temperature	-40°C TO 50°C; Sensor:-25°C TO 50°C;			
	Storage Temperature	-40°C TO 80°C			
	Operating Humidity	20% - 90% RH			
	Storage Humidity	10% - 95% RH			
	Warranty	5 years warranty			

PCKAGE

	Size	Qty / Carton	Net Weight / Carton	Gross Weight / Carton
Outer box	410*290*240mm (16.1"*11.4"*9.4")	1 PCS	3.4KG (7.5lb)	4.5KG (9.9lb)

Tolerance of Carton Size: ±15 MM (±0.6"), Tolerance of Weight: ±10%.



LIGHT DISTRIBUTION TESTING PARAMETERS

Luminaire Property

Luminaire Manufacturer:
 Luminaire Category:
 Lamp Catalog:
 Number of Lamps:
 Luminous Length (mm):
 Luminous Height (mm):
 Current: 0.291 A
 Power Factor: 0.995

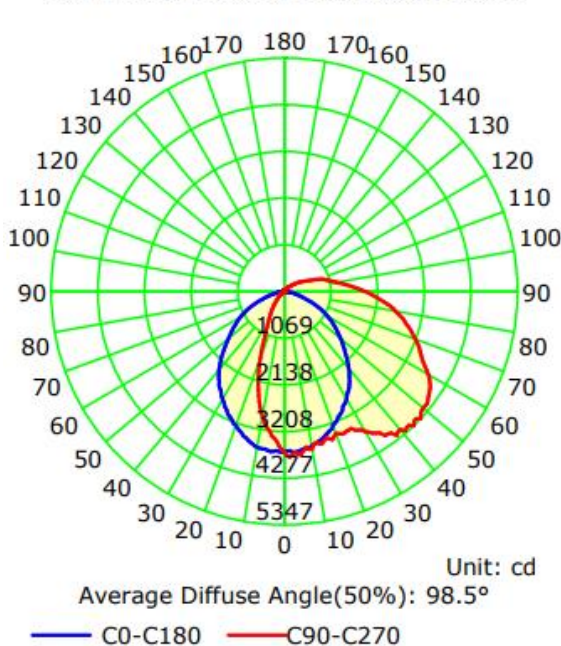
Luminaire Description:
 Lamp Description:
 Lumens per Lamp:
 Luminous Width (mm):
 Voltage: 277.0 V
 Power: 80.31 W

Photometric Results

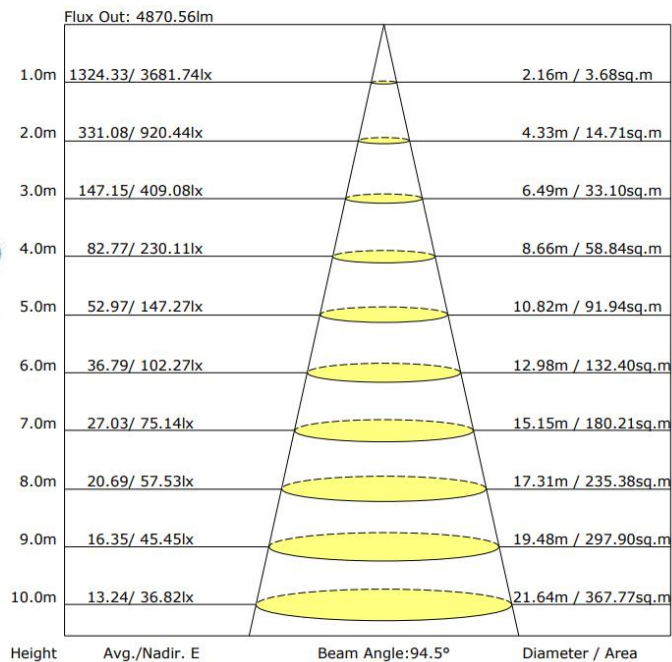
IES Classification: Type IV
 Total Rated Lamp Lumens: 10918.5 lm
 Efficiency: 100%
 Upward Ratio: 11%
 C0r0 Intensity: 3681.74 cd
 Pos of Max. Intensity: H90 V44
 Beam Angle(C0/C180,C90/C270,C45/C225,C135/315): 94.5, 102.5, 99.1, 99.9

Longitudinal Classification: Very Short
 Measurement Flux: 10918.5 lm
 Downward Ratio: 89%
 Luminaire Efficacy Rating (LER): 136.00
 Max. Intensity: 4277.63 cd

Luminous Intensity Distribution Curve



The Average Illuminance Effective Figure



NOTICE FOR USER

- Please turn off power before install or change assembly parts.
- The input voltage and lamps should be matched, after connecting the power line, Please make sure the wiring section is insulated.
- No-professionals, must not install and disassemble the lamps.

TROUBLE SHOOTINGS

Troubles	Check points
Flickering of the light	Turn off the power and turn on again in 3 minutes. If same phenomena occur, then call agencies.
Out of working	Please check the connection.

SPECIAL FUNCTIONS INSTRUCTION:

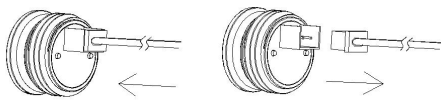


Fig:1

Fig:2

Photocell:

Connection of male and female connector will help to turn on the photocell.(Fig:1)

Disconnection of male and female connector will help to turn off the photocell.(Fig:2)