

GREENTEK ENERGY SYSTEMS, LLC
www.greentekes.com



P/N:GT-SWP5-60W-LBCGcb-ae-S

Note:

GT=Company Name;

SWP5=Product series,LED Semi-cut off Wall Pack;

60W=Rating Power;

L=120-277VAC;

B=LED manufacturer,Lumileds;

CG=stripe glass;

“c” can be “S” or blank for Surge-Protective Device provided or not

“b” can be “MS”, “PS” or blank for sensor function provided or not;

“a” can be any two letters to represent lamp colors;

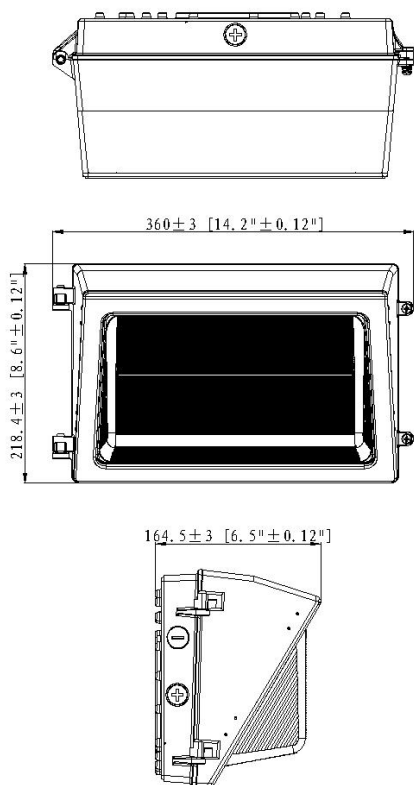
“e”can be XXK for CCT,

such as 40K=4000K, 50K=5000K, 57K=5700K, 65K=6500K;

S=Color Non-tunable;



DIMENSIONS



ADVANTAGE

- UL DLC-5.1 Premium certificate
- Lumileds 2835, high CRI.
- Input voltage 120-277VAC .
- Output constant current lever can be adjusted through output cable with 0-10V.
- No UV or IR in the beam.
- Easy to install and operate.
- Energy saving, long lifespan.
- Light is soft and uniform, safe to eyes.
- Instant start, NO flickering, NO humming.
- Green and eco-friendly without mercury.

APPLICATION

- Entrance lighting,courtyard lighting;
- Industrial lighting,Outdoor landscape lighting;
- Building,The hotel;
- Wall lighting area and so on.

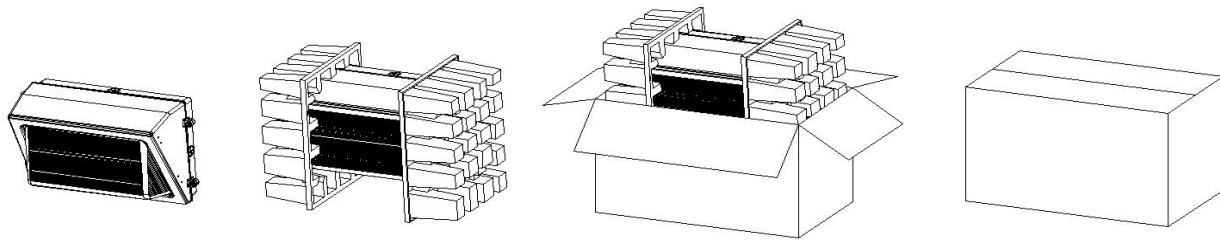
SPECIFICATIONS

OPTICAL	Input Power (Tolerance : ±10%)	60W			
	Color Temperature	4000K	5000K	5700K	6500K
	Lumen (Tolerance : ±10%)	8840LM	8930LM	8980LM	9070LM
	Efficacy (Tolerance : ±3%)	141LM/W	141LM/W	142LM/W	142LM/W
	CRI	>80			
	Color Consistency	<6 Steps (or <6 SDCM)			
	BUG	B2-U4-G4			
	Diffuser Type	Stripe Glass			
	Beam Angle (50%) (Tolerance : ±15%)	H96°V103			
ELECTRICAL	Input Voltage and Frequency	120-277VAC 50/60Hz			
	PF (Tolerance : -3%)	≥0.9			
	THD (Tolerance : +5%)	≤20%			
	Flicker Percent	<30%			
	Driver Brand	Asmart			
	Driver Model	HB-FL19F060B12/HB-FL19F060B			
	Driver Surge protection	L-N: 6kV , L&N-E:6kV			
	Dimming	0-10V dimming standard			
	Sensor Type	Occupancy Sensor			
Optional Accessory	Surge-protective Device, Motion Sensor, PIR Sensor,emergency				
MATERIALS	LED Brand	LUMILEDS			
	LED Type	SMD 2835			
	LED QTY	225 PCS			
	Housing	Die-cast aluminum			
	Housing Color	All Color			
	Waterproof Rating	WET (IP65)			
OTHERS	Operating Temperature	-40°C TO 50°C; Sensor:-25°C TO 50°C; emergency:0°C TO 50°C			
	Storage Temperature	-40°C TO 80°C			
	Operating Humidity	20% - 90% RH			
	Storage Humidity	10% - 95% RH			
	Warranty	5 years warranty			

PCKAGE

	Size	Qty / Carton	Net Weight / Carton	Gross Weight / Carton
Outer box	410*290*240mm (16.1"*11.4"*9.4")	1 PCS	3.4KG (7.5lb)	4.5KG (9.9lb)

Tolerance of Carton Size: ±15 MM (±0.6"), Tolerance of Weight: ±10%.



NOTICE FOR USER

- Please turn off power before install or change assembly parts.
- The input voltage and lamps should be matched, after connecting the power line, Please make sure the wiring section is insulated.
- No-professionals, must not install and disassemble the lamps.

TROUBLE SHOOTINGS

Troubles	Check points
Flickering of the light	Turn off the power and turn on again in 3 minutes. If same phenomena occur, then call agencies.
Out of working	Please check the connection.

SPECIAL FUNCTIONS INSTRUCTION:

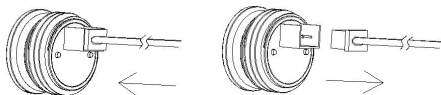


Fig:1

Fig:2

Photocell:

Connection of male and female connector will help to turn on the photocell.(Fig:1)

Disconnection of male and female connector will help to turn off the photocell.(Fig:2)