



**GREENTEK ENERGY SYSTEMS, LLC**  
www.greentekes.com

## P/N:GT-SWP4-120W-LBSb-ad-S

Note:

GT=Company Name;

SWP4=Product series,LED Semi-cut off Wall Pack;

120W=Rating Power;

L=Input voltage, 120-277VAC;

B=LED manufacturer,B=lumileds;

S=Cover type,S=stripe PC;

“b” can be “S” or blank for Surge-Protective Device provided or not;

“a” can be any two letters to represent lamp colors;

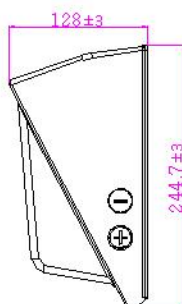
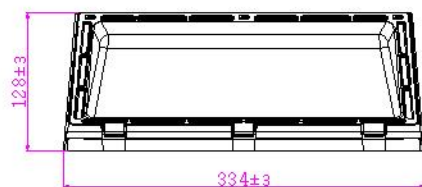
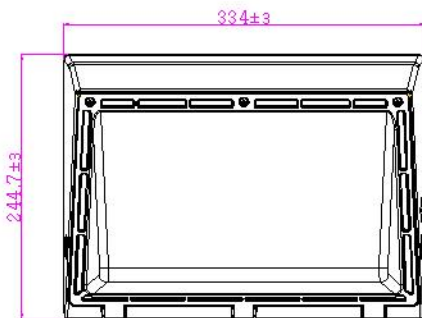
“d” can be XXK for CCT,such as

40K=4000K,50K=5000K,57K=5700K

S=LED module type, Color Non-tunable;



## DIMENSIONS



## ADVANTAGE

- UL, DLC5.1 premium certificate
- Lumileds 2835, high CRI.
- Input voltage 120-277VAC .
- Output constant current lever can be adjusted through output cable with 0-10V.
- No UV or IR in the beam.
- Easy to install and operate.
- Energy saving, long lifespan.
- Light is soft and uniform, safe to eyes.
- Instant start, NO flickering, NO humming.
- Green and eco-friendly without mercury.

## APPLICATION

- Entrance lighting,courtyard lighting;
- Industrial lighting,Outdoor landscape lighting;
- Building,The hotel;
- Wall lighting area and so on.

## SPECIFICATIONS

<b>OPTICAL</b>	Input Power (Tolerance : ±10%)	120W		
	Color Temperature	4000K	5000K	5700K
	Lumen (Tolerance : ±10%)	17828LM	17996LM	18080LM
	Efficacy (Tolerance : ±3%)	150LM/W	151LM/W	152LM/W
	CRI	>80		
	Color Consistency	<6 Steps (or <6 SDCM)		
	BUG	B3-U5-G5		
	Diffuser Type	PC		
	Beam Angle (50%) (Tolerance : ±15%)	H93*V100 Degree		
<b>ELECTRICAL</b>	Input Voltage and Frequency	120-277VAC 50/60Hz		
	PF (Tolerance : -3%)	≥0.9		
	THD (Tolerance : +5%)	≤20%		
	Flicker Percent	<30%		
	Driver Brand	Weledpower		
	Driver Model	WP-CNB-120U-1A2SCPO-Z-PRO		
	Driver Surge protection	L-N: 4kV , L&N-E: 6kV		
	Dimming	0-10V dimming standard		
	Sensor Type	No Sensor		
	Optional Accessory	Surge-protective Device, Photocell		
<b>MATERIALS</b>	LED Brand	LUMILEDS		
	LED Type	SMD 2835		
	LED QTY	546 PCS		
	Housing	Die-cast aluminum		
	Housing Color	All Color		
	Waterproof Rating	WET (IP65)		
<b>OTHERS</b>	Operating Temperature	-40°C TO 45°C		
	Storage Temperature	-40°C TO 80°C		
	Operating Humidity	20% - 90% RH		
	Storage Humidity	10% - 95% RH		
	Warranty	5 years		

### PACKAGE 1

	Size	Qty / Carton	Net Weight / Carton	Gross Weight / Carton
Inner box	257*140*350MM	1 PCS	2.3KG	2.6KG
Outer box	300*277*374MM	2 PCS	4.6KG	6KG

### PACKAGE 2

	Size	Qty / Carton	Net Weight / Carton	Gross Weight / Carton
Outer box	375*177*305MM	1 PCS	2.1KG	2.9KG

Tolerance of Carton Size: ±15 MM, Tolerance of Weight: ±10%.

## LIGHT DISTRIBUTION TESTING PARAMETERS

### Luminaire Property

Luminaire Manufacturer:  
 Luminaire Category:  
 Lamp Catalog:  
 Number of Lamps:  
 Luminous Length (mm):  
 Luminous Height (mm):  
 Current: 0.992 A  
 Power Factor: 0.998

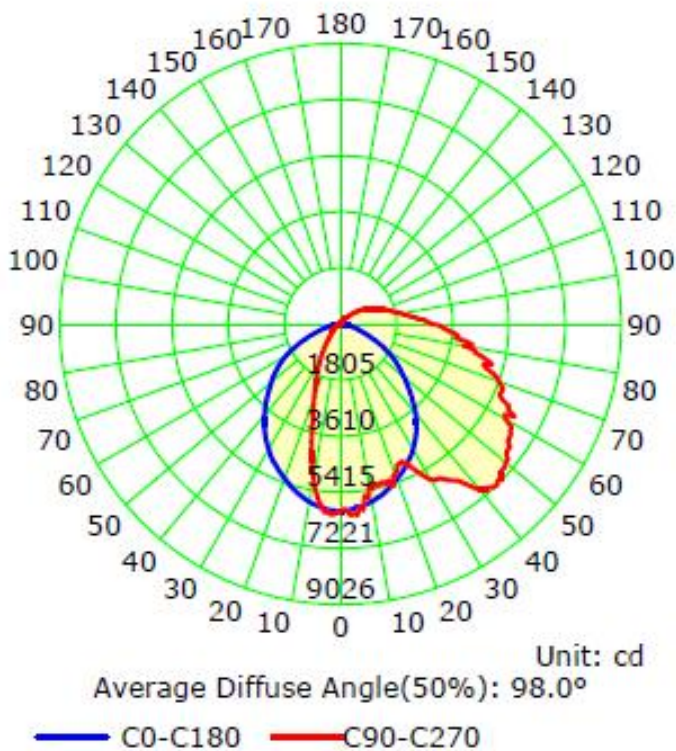
Luminaire Description:  
 Lamp Description:  
 Lumens per Lamp:  
 Luminous Width (mm):  
 Voltage: 120.0 V  
 Power: 118.73 W

### Photometric Results

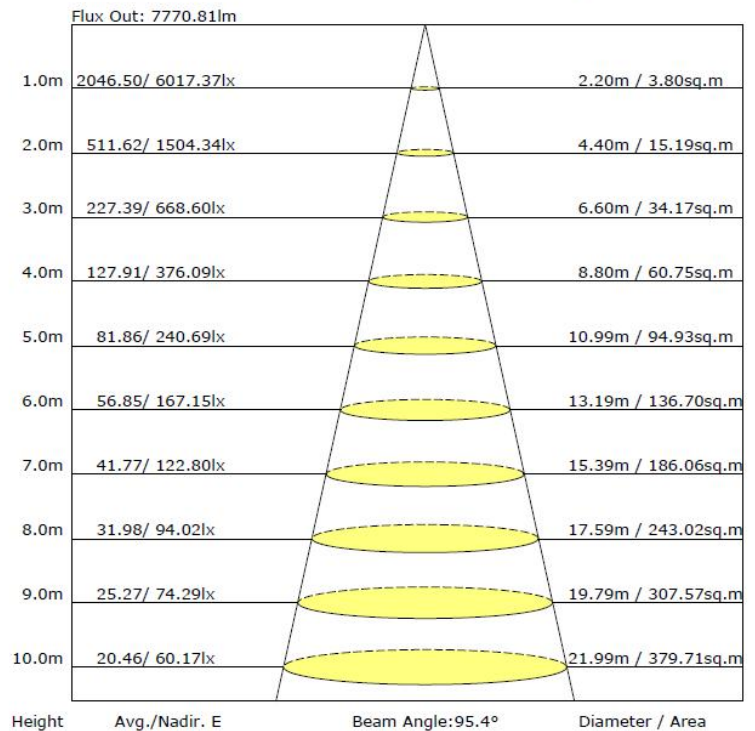
IES Classification: Type IV  
 Total Rated Lamp Lumens: 17828.7 lm  
 Efficiency: 100%  
 Upward Ratio: 11%  
 C0r0 Intensity: 6017.37 cd  
 Pos of Max. Intensity: H90 V44  
 Beam Angle(C0/C180,C90/C270,C45/C225,C135/315): 95.4, 100.6, 100.6, 102.7

Longitudinal Classification: Very Short  
 Measurement Flux: 17828.7 lm  
 Downward Ratio: 89%  
 Luminaire Efficacy Rating (LER): 150.21  
 Max. Intensity: 7221.32 cd

Luminous Intensity Distribution Curve



The Average Illuminance Effective Figure



## NOTICE FOR USER

- Please turn off power before install or change assembly parts.
- The input voltage and lamps should be matched, after connecting the power line, Please make sure the wiring section is insulated.
- No-professionals, must not install and disassemble the lamps.

## TROUBLE SHOOTINGS

Troubles	Check points
Flickering of the light	Turn off the power and turn on again in 3 minutes. If same phenomena occur, then call agencies.
Out of working	Please check the connection.

## SPECIAL FUNCTIONS INSTRUCTION: