



GREENTEK ENERGY SYSTEMS, LLC
www.greentekes.com



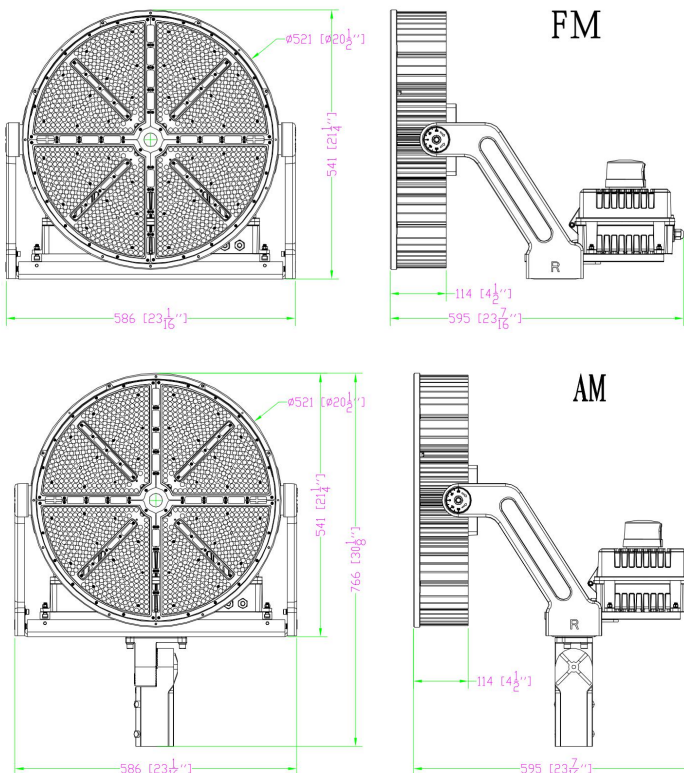
NAME: LED SPORT LIGHT

P/N: GT-SP2-1200W-DHdcJS3-agf-W

Note:

GT=Company name;
 SP2 = Product series;
 1200W= Rating Power;
 DH=AC220-480V driver;
 d=surge protection situation,can be 10SP,20SP or blank;
 c=Photocell situation,can be any letters or blank;
 J= manufacturer of LED;
 S3=30degree diffuser Light Angle type;
 a= lamp colors;
 g=CCT,such as40K=4000K, 50K=5000K,57K=5700K;
 f=mounting bracket types, can be FM,AM or blank;
 W=Dimming Module provided.

DIMENSIONS



ADVANTAGE

- UL DLC-V5.1(Premium) certificate
- Input voltage 220-480Vac
- No UV or IR in the beam
- Easy to install and operate
- Energy saving, long lifespan
- Instant start, NO flickering, NO humming
- Green and eco-friendly without mercury
- Output constant current lever can be adjusted through output cable with 0-10V.

APPLICATION

- ◆ Gymnasium;
- ◆ Square plaza;
- ◆ Shipyard, Airport ,wharf;
- ◆ High mast and Contour lighting, etc.

SPECIFICATIONS

OPTICAL	Input Power (Tolerance : $\pm 10\%$)	1200W (Wattage adjustable:800W-1000W-1200W)		
	Color Temperature	4000K	5000K	5700K
	Lumen (Tolerance : -10%)	168000 LM	170400 LM	171600 LM
	Efficacy (Tolerance : -3%)	140 LM/W	142LM/W	143 LM/W
	CRI	>70		
	Color Consistency	<6 Steps (or <6 SDCM)		
	BUG	B5-U0-G5		
	Distribution Pattern	NEMA:4		
	Beam Angle (50%) (Tolerance : $\pm 15\%$)	30°		
ELECTRICAL	Input Voltage and Frequency	220-480VAC, 50/60Hz		
	PF (Tolerance : -3%)	≥ 0.9		
	THD (Tolerance : +5%)	$\leq 20\%$		
	Flicker Percent	<5%		
	Driver Brand	uPowerTek		
	Driver Model	TLD-600-C420-ENU*2PCS		
	Driver Surge protection	L/N-PE: 10kV, L-N:6kV		
	Dimming	0-10V dimming standard		
	Sensor Type	Integral Sensor Receptacle		
	Optional Accessory	Sensor Receptacle+Photosensor /Sensor Receptacle+Short Cap , Surge-protective Device		
MATERIALS	LED Brand	Bridgelux		
	LED Type	SMD3030		
	LED QTY	1232 PCS		
	Housing	Die-cast aluminum		
	Housing Color	Black, Bronze, or Customized		
	EPA	3.4 ft ²		
	Waterproof Rating	WET (IP65)		
OTHERS	Operating Temperature	-40°C TO 45°C		
	Storage Temperature	-40°C TO 80°C		
	Operating Humidity	20% - 90% RH		
	Storage Humidity	10% - 95% RH		
	Warranty	5 years		

PACKAGE

Lamp Net Weight: 28.1 KG / PC

	Size	Qty / Carton	Gross Weight / Carton
Outer box	600*585*395mm	1 PC	33.83 KG

Tolerance of Carton Size: ± 15 MM, Tolerance of Weight: $\pm 10\%$.

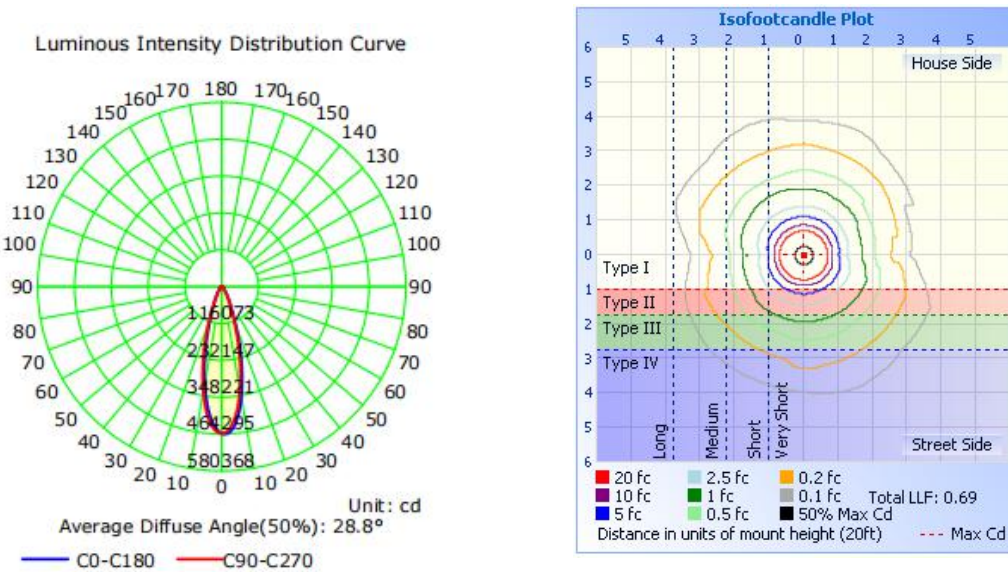
LIGHT DISTRIBUTION TESTING PARAMETERS < 30° >

Luminaire Property

Luminaire Manufacturer:	Luminaire Description:
Luminaire Category:	Lamp Description:
Lamp Catalog:	Lumens per Lamp:
Number of Lamps:	Luminous Width (mm):
Luminous Length (mm):	Voltage: 277.0 V
Luminous Height (mm):	Power: 1162.37 W
Current: 4.222 A	
Power Factor: 0.994	

Photometric Results

IES Classification: Type I	Longitudinal Classification: Very Short
Total Rated Lamp Lumens: 166268.0 lm	Measurement Flux: 166268 lm
Efficiency: 100%	Downward Ratio: 100%
Upward Ratio: 0%	Luminaire Efficacy Rating (LER): 143.09
C0r0 Intensity: 462542.5 cd	Max. Intensity: 464295 cd
Pos of Max. Intensity: H0 V1	
Beam Angle(C0/C180,C90/C270,C45/C225,C135/315): 28.7, 28.8, 28.8, 28.8	



NOTICE FOR USER

- Please turn off power before install or change assembly parts.
- The input voltage and lamps should be matched, after connecting the power line, Please make sure the wiring section is insulated.
- No-professionals, must not install and disassemble the lamps.

TROUBLE SHOOTINGS

Troubles	Check points
Flickering of the light	Turn off the power and turn on again in 3 minutes. If same phenomena occur, then call agencies.

Out of working

Please check the connection.