



GREENTEK ENERGY SYSTEMS, LLC
www.greentekes.com



Type A



Type B



Type C



Type D



Type E



Type F



P/N: **GT-SLHB-220WBMN4FT-abdf**

Note:

GT=Company name

SLHB=Product series, LED Linear High Bay Light;

220W=wattage;

B=LED chips brand,Lumileds LED;

M=Diffuser type;

N=LED driver type;

4FT=Fixture length;

a" can be any two letters for housing colors;

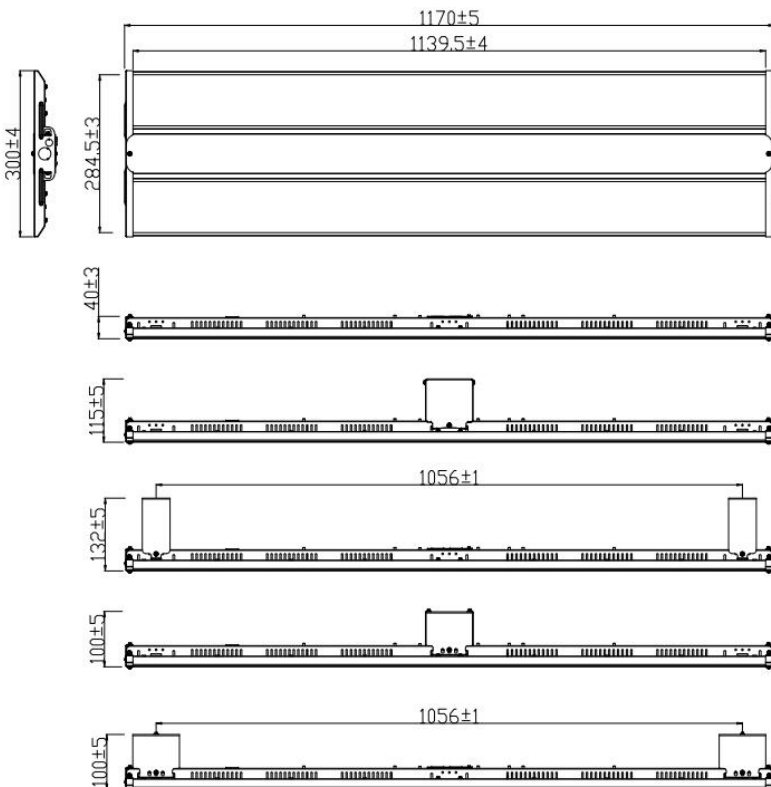
"b" can be "AMS", "APS", "DMS", "DPS" or blank for Sensor provided or not;

"d" can be "EM" or blank for emergency driver provided or not;

"f" can be any digits for CCT, such as

40=4000K,45=4500K ,50=5000K,57=5700K

DIMENSIONS



ADVANTAGE

- UL DLC-V5.1(Premium) certificate;
- Lumileds Chip, high CRI.
- Input voltage 120-277VAC.
- Output constant current lever can be adjusted through output cable with 0-10V.
- No UV or IR in the beam.
- Easy to install and operate.
- Energy saving, long lifespan.
- Light is soft and uniform, safe to eyes.
- Instant start, NO flickering, NO humming.
- Green and eco-friendly without mercury.

APPLICATION

- Warehouse, factory and workshops;
- Exhibition hall and supermarkets, etc.

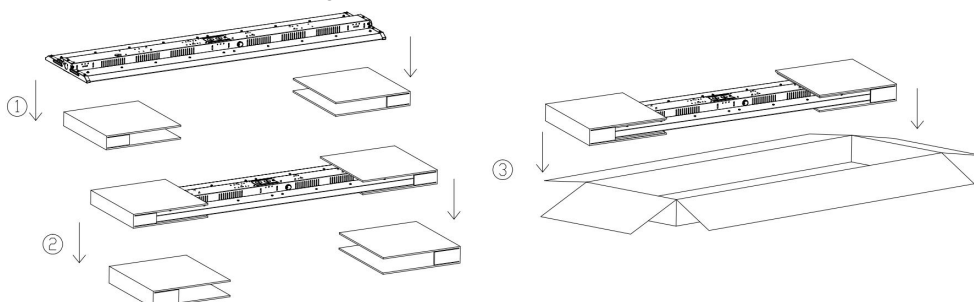
SPECIFICATIONS

OPTICAL	Input Power (Tolerance : $\pm 10\%$)	220W		
	Color Temperature	4000K	5000K	5700K
	Lumen (Tolerance : $\pm 10\%$)	30140 LM	30580 LM	31020 LM
	Efficacy (Tolerance : $\pm 3\%$)	137 LM/W	139 LM/W	141 LM/W
	CRI	>80		
	Color Consistency	<6 Steps (or <6 SDCM)		
	UGR	<27 (X=4H, Y=8H; S/H=1; Reflectances: 70%/50%/20%)		
	Diffuser Type	Matte Lens		
Beam Angle (50%) (Tolerance : $\pm 15\%$)	90 Degree			
ELECTRICAL	Input Voltage and Frequency	120-277VAC, 50/60Hz		
	PF (Tolerance : -3%)	≥ 0.9		
	THD (Tolerance : +5%)	$\leq 20\%$		
	Flicker Percent	$\leq 30\%$		
	Driver Brand	Tosmart		
	Driver Model	AST-CNB-100U-130V x 2PCS (Non-isolated driver);		
	Driver Surge protection	L/N-PE: 2kV, L-N: 2kV		
	Dimming	0-10V continuous dimming (min. Dimming range <10%)		
	Sensor Type	Daylight Sensor, Occupancy Sensor, Multifunction Sensor		
	Optional Accessory	AC Motion Microwave sensor, AC Motion PIR sensor, Emergency Power Supply(9W/90min or 16W/90min)		
MATERIALS	LED Brand	Lumileds		
	LED Type	SMD 2835		
	LED QTY	390 PCS		
	Housing	IRON		
	Housing Color	White, or Customized		
	Waterproof Rating	DAMP (IP20)		
OTHERS	Operating Temperature	Without Motion Sensor and Emergency Power Supply: -30°C TO 50°C		
		With Motion Sensor: -30°C TO 50°C		
		With Emergency Power Supply: 0°C TO 50°C		
	Storage Temperature	-30°C TO 80°C		
	Operating Humidity	20% - 90% RH		
	Storage Humidity	10% - 95% RH		
	Warranty	5 years		

PACKAGE Drop test: ISTA-3B

	Carton Size	Qty / Carton	Net Weight / Carton	Gross Weight / Carton
Outer box (No Sensor)	1205*335*80 MM	1 PC	5.1 KG/PC	7.0 KG

Tolerance of Carton Size: ± 15 MM, Tolerance of Weight: $\pm 10\%$.



LIGHT DISTRIBUTION TESTING PARAMETERS @Frosted Lens 4000K

Luminaire Property

Luminaire Manufacturer:

Luminous Length (mm): 1139.5

Voltage: 121.4 V

Power: 226.40 W

Luminous Width (mm): 284.5

Current: 1.876 A

Power Factor: 0.994

Photometric Results

CIE Class: Direct

Measurement Flux: 31215.1 lm

Downward Ratio: 99%

Horizontal Diffuse Angle(10%,50%): H146.1,H89

Vertical Diffuse Angle(10%,50%): V141.7,V100.8

Luminaire Efficacy Rating (LER): 137.93

Max. Intensity: 13348.11 cd

S/MH(C0/C180): 1.27

Total Rated Lamp Lumens: 31215.1 lm

Efficiency: 100%

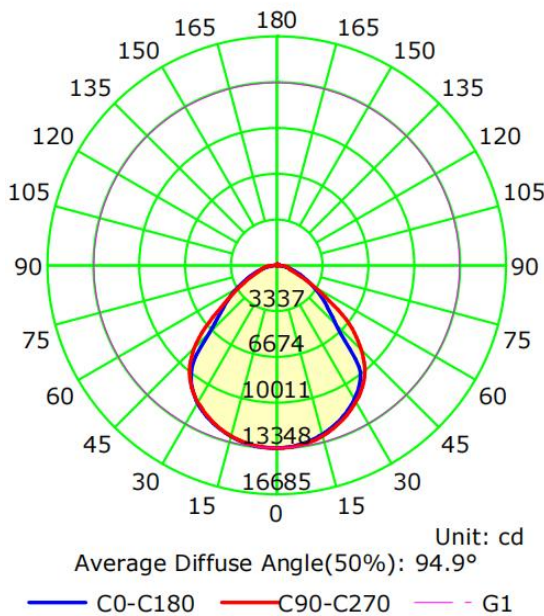
Upward Ratio: 1%

Central Intensity: 13327.09 cd

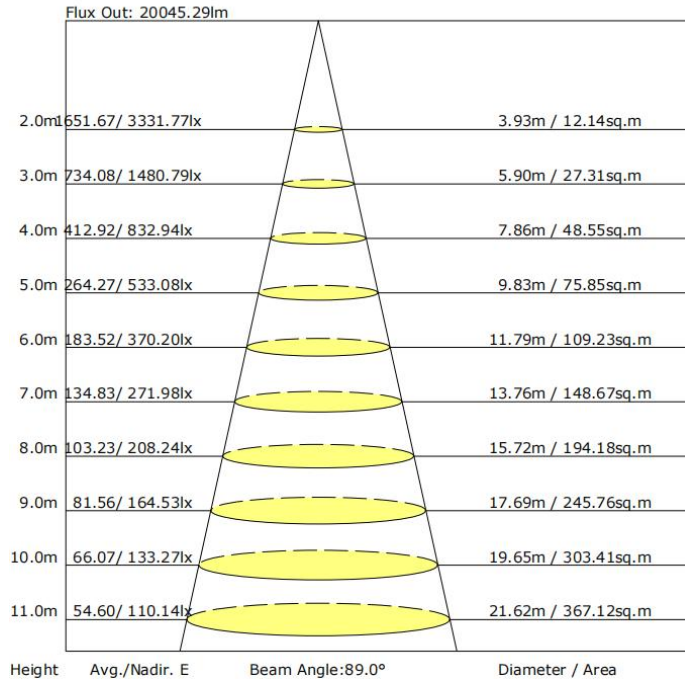
Pos of Max. Intensity: H225 V1

S/MH(C90/C270): 1.28

Luminous Intensity Distribution Curve



The Average Illuminance Effective Figure



NOTICE FOR USER

- Please turn off power before install or change assembly parts.
- The input voltage and lamps should be matched, after connecting the power line, Please make sure the wiring section is insulated.
- No-professionals, must not install and disassemble the lamps.

TROUBLE SHOOTINGS

Troubles	Check points
Flickering of the light	Turn off the power and turn on again in 3 minutes. If same phenomena occur, then call agencies.
Out of working	Please check the connection.